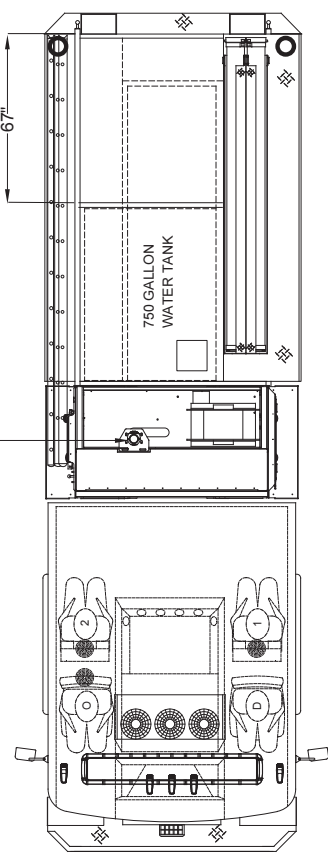
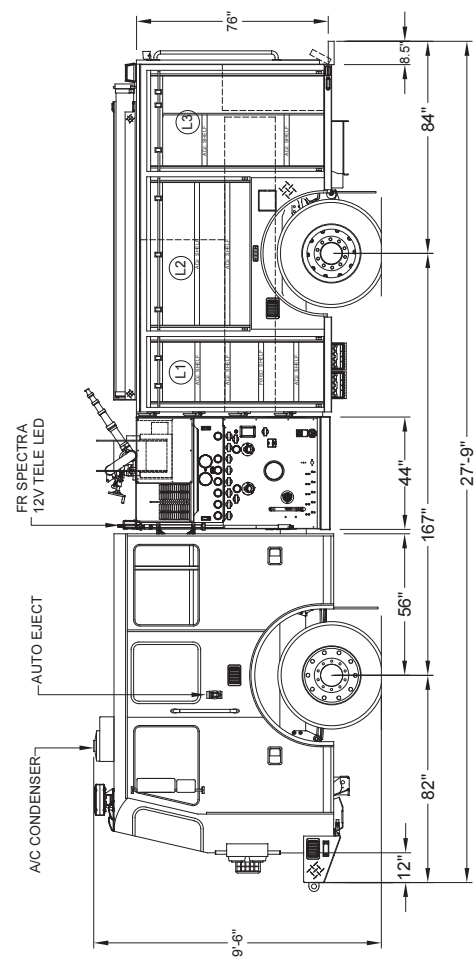
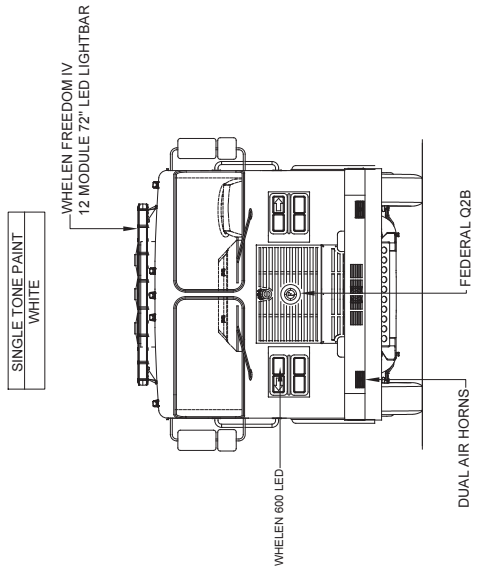


3" DECK GUN DISCHARGE



LEFT SIDE COMPARTMENTS			
COMPT	DOORS	OPENING DIMENSIONS	INSIDE DIMENSIONS
L1	ROLL-UP	25.5"W X 61.4"H	31.1"W X 72" X 27.3"D
L2	ROLL-UP	57.5"W X 35.1"H	61.6"W X 48.8"H X 27.3"D
L3	ROLL-UP	37.5"W X 61.4"H	40.4"W X 72" X 27.3"D
RIGHT SIDE COMPARTMENTS			
COMPT	DOORS	OPENING DIMENSIONS	INSIDE DIMENSIONS
R1	ROLL-UP	25.5"W X 29.4"H	31.1"W X 40" X 27.3"D
R2	DROP DOWN	57"W X 7.5"H	59"W X 8.5"H X 28.5"D
R3	ROLL-UP	37.5"W X 29.4"H	40.4"W X 40" X 27.3"D
REAR STEP COMPARTMENT			
COMPT	DOORS	OPENING DIMENSIONS	INSIDE DIMENSIONS
A1	ROLL-UP	37.5"W X 33.8"H	40" X 40"W X 18"D
			TOTAL: 201.8 CU.FT.



DIMENSIONS SHOWN ON THIS DRAWING ARE APPROXIMATE AND ARE SUBJECT TO MINOR DEVIATIONS DURING CONSTRUCTION. IN THE EVENT OF A DISCREPANCY BETWEEN THE SUTPHEN SPECIFICATIONS AND DRAWING, THE SUTPHEN SPECIFICATIONS SHALL PREVAIL. DRAWING IS FOR REFERENCE ONLY. SOME ITEMS PROPOSED MAY NOT BE SHOWN OR NOTED.

CUSTOMER APPROVAL

NAME: _____
TITLE: _____
DATE: _____

REV.	DESCRIPTION	BY	DATE
D	**REV-D** SHOP ORDER REFERENCE SHOP ORDER CHANGE DOCUMENT ON SHARED DRIVE	TF	04/06/2020
C	**REV-C** SHOP ORDER REFERENCE SHOP ORDER CHANGE DOCUMENT ON SHARED DRIVE	TF	03/16/2020
B	REFERENCE SHOP ORDER CHANGE DOCUMENT ON SHARED DRIVE	TF	08/13/2019
A	SHOP ORDER	TF	08/19/2019

DRAWN BY:	DATE:
T.FAHOLM	03/19/2019
DATE:	MFG FACILITY:
03/19/2019	DUBLIN

SUTPHEN
MABSCOTT FIRE DEPARTMENT
MABSCOTT, WV
CUSTOM PUMPER - PA-11 BODY
HS-6807

THIS PRINT IS PROVIDED ON A RESTRICTED BASIS AND IS NOT TO BE USED IN ANY WAY DETRIMENTAL TO THE INTEREST OF SUTPHEN CORPORATION.