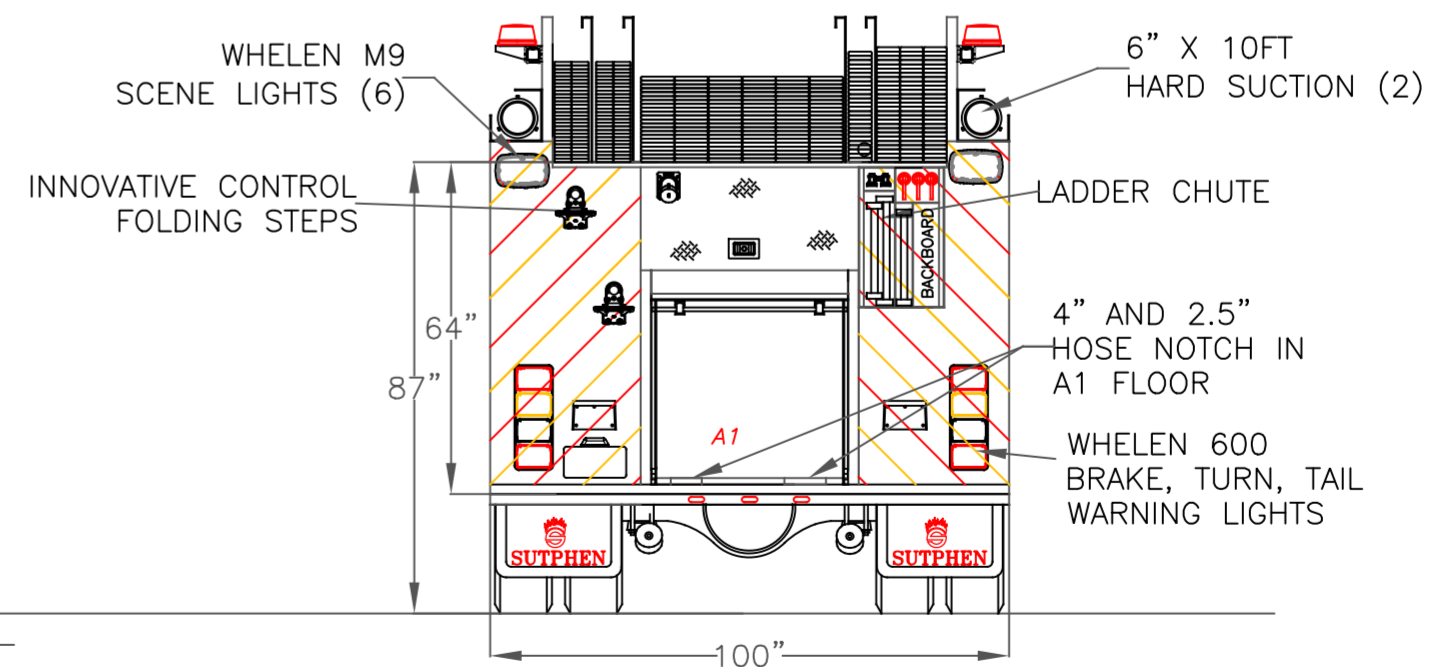
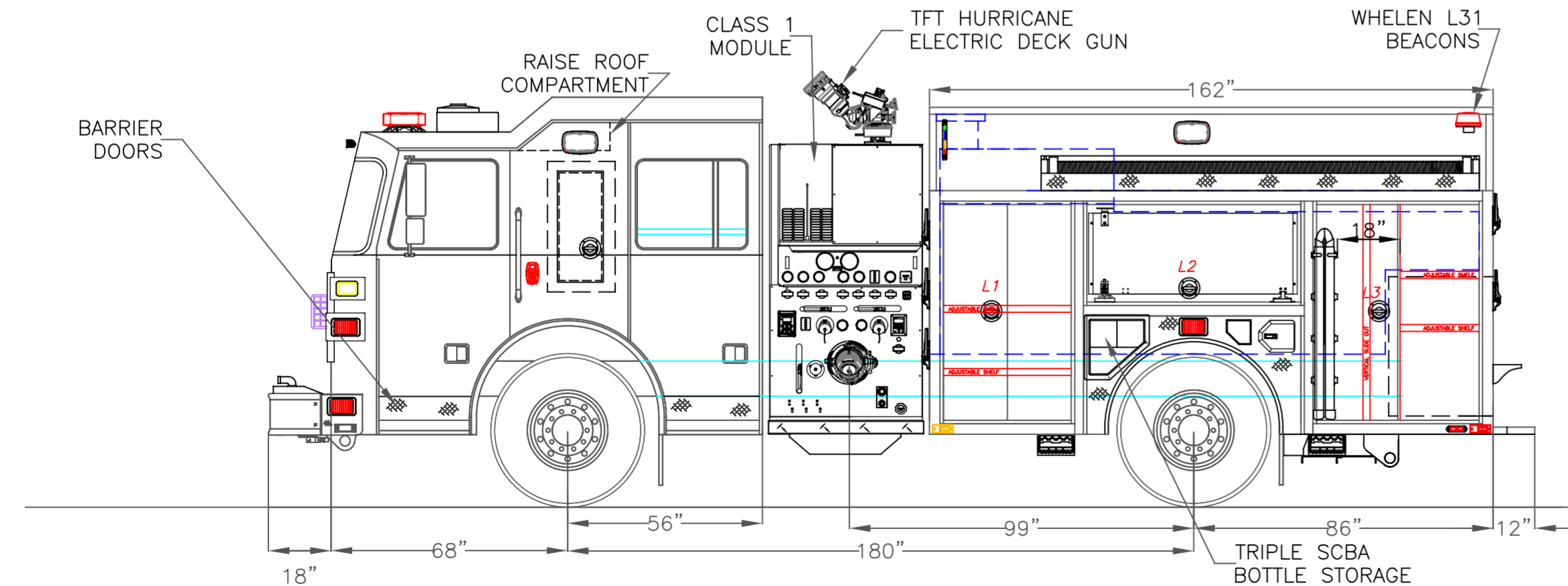


Left Side Compartmentation				
Compt	Doors	Opening Dimensions	Inside Dimensions	Volume
			WxHxD	
L1	HINGE	36x62	43x66x27.25	40.8 CU FT
L2	HINGE	61.5x28	66x32x27.25	33.3 CU FT
L3	HINGE	46x62	53x66x27.25	55.2 CU FT
Right Side Compartmentation				
Compt	Doors	Opening Dimensions	Inside Dimensions	Volume
R1	HINGE	36x62	43x66x10.25/27.25	31.2 CU FT
R2	HINGE	61.5x28	66x32x10.25	12.5 CU FT
R3	HINGE	46x62	53x66x10.25/27.25	38.5 CU FT
Rear Compartmentation				
Compt	Doors	Opening Dimensions	Inside Dimensions	Volume
A1	Roll Up	35x30	42x40x28.25	27.5 CU FT

HALE QMAX 1500 GPM SINGLE STAGE
 1000 GALLON WATER TANK
 AKRON EXTERNAL FOAM EDUCTOR
 30 GALLON FOAM TANK CLASS B

Total Volume
 239 CU Ft



DIMENSIONS SHOWN ON THIS DRAWING ARE APPROXIMATE AND ARE SUBJECT TO MINOR DEVIATIONS DURING CONSTRUCTION.	CUSTOMER APPROVAL				DRAWN BY: J. GORDON	DATE: 05/08/2019	MFG. FACILITY: SUTPHEN EAST LAKE ARIEL, PA	SUTPHEN EAST 55 INNOVATION DRIVE LAKE ARIEL, PA 1-844-776-2889
	NAME:							
IN THE EVENT OF A DISCREPANCY BETWEEN THE SUTPHEN SPECIFICATIONS AND DRAWING, THE SUTPHEN SPECIFICATIONS SHALL PREVAIL.	TITLE:				DATE: 05/08/2019	MFG. FACILITY: SUTPHEN EAST LAKE ARIEL, PA	PRG 2-S2 ALUMINUM PUMPER	
DRAWING IS FOR REFERENCE ONLY. SOME ITEMS PROPOSED MAY NOT BE SHOWN OR NOTED.	DATE:							DATE: 05/08/2019
	REV.		DESCRIPTION	BY	DATE			

THIS PRINT IS PROVIDED ON A RESTRICTED BASIS AND IS NOT TO BE USED IN ANY WAY DETRIMENTAL TO THE INTEREST OF SUTPHEN CORPORATION.