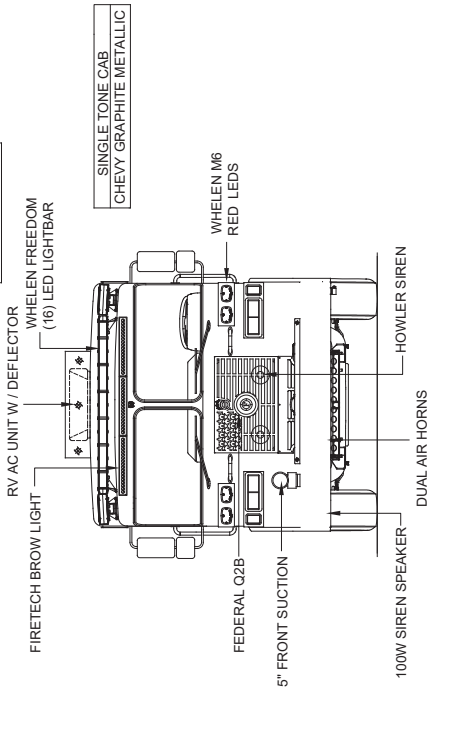


COMPT	DOORS	OPENING DIMENSIONS	INSIDE DIMENSIONS	VOLUME	
LEFT SIDE COMPARTMENTS	L1	DOUBLE	48.5"W X 58.4"H	56.1"W X 66"H X 27.3"D	58.5 CU. FT.
	L2	LIFT-UP	55"W X 31.9"H	61.6"W X 38.8"H X 27.3"D	35.8 CU. FT.
	L3	DOUBLE	48.5"W X 58.4"H	52.4"W X 66"H X 27.3"D	54.7 CU. FT.
	H1	LIFT-UP	11.4" X 110.3"W	110.3"W X 11.4" X 12.8"D	21.2 CU. FT.
RIGHT SIDE COMPARTMENTS	R1	DOUBLE	48.5"W X 58.4"H	56.1"W X 66"H X 27.3"D	58.5 CU. FT.
	R2	LIFT-UP	55"W X 31.9"H	61.6"W X 38.8"H X 27.3"D	35.8 CU. FT.
	R3	DOUBLE	48.5"W X 58.4"H	52.4"W X 66"H X 27.3"D	54.7 CU. FT.
	H2	LIFT-UP	23.25" X 110.3"W	110.3"W X 24.8" X 20.2"D	48.2 CU. FT.
REAR STEP COMPARTMENT	DOORS	OPENING DIMENSIONS	INSIDE DIMENSIONS	VOLUME	
	ROLL-UP	37.5"W X 18.8"H	37.5"W X 4.0"W X 31"D	22.52 CU. FT.	
				TOTAL: 387.92 CU. FT.	



DRAWN BY:	06/05/20	KMG	06/05/20
DATE:	06/03/20	KMG	06/03/20
DATE:	08/15/19	KMG	04/01/20
DATE:	03/23/20	KMG	03/23/20

REV. J	REV./K SHOP ORDER	DESCRIPTION
REV. K	REV./L SHOP ORDER	
REV. L	REV./M SHOP ORDER	

CUSTOMER APPROVAL

NAME: \_\_\_\_\_

TITLE: \_\_\_\_\_

DATE: \_\_\_\_\_

DIMENSIONS SHOWN ON THIS DRAWING ARE APPROXIMATE AND ARE SUBJECT TO MINOR DEVIATIONS DURING CONSTRUCTION.

IN THE EVENT OF A DISCREPANCY BETWEEN THE SUTPHEN SPECIFICATIONS AND DRAWING, THE SUTPHEN SPECIFICATIONS SHALL PREVAIL.

DRAWING IS FOR REFERENCE ONLY. SOME ITEMS PROPOSED MAY NOT BE SHOWN OR NOTED.

THIS PRINT IS PROVIDED ON A RESTRICTED BASIS AND IS NOT TO BE USED IN ANY WAY DETRIMENTAL TO THE INTEREST OF SUTPHEN CORPORATION.