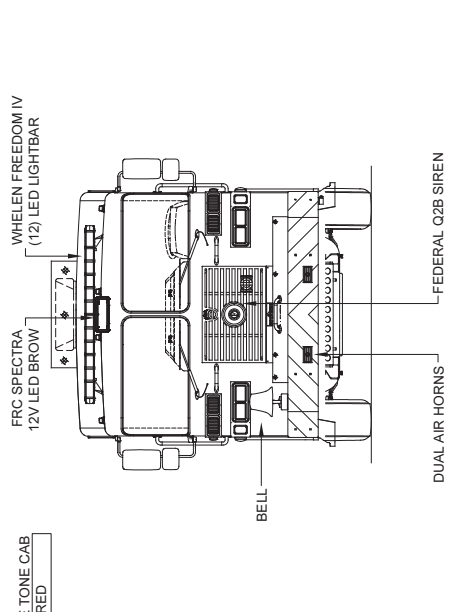


LEFT SIDE COMPARTMENTS		
COMP	DOORS	INSIDE DIMENSIONS
L1	ROLL-UP	37.5"W X 56.4"H
L2	ROLL-UP	57.5"W X 26.2"H
L3	ROLL-UP	50.5"W X 56.4"H
H1	LIFT-UP	(2) 23.25" X 73.25" W
		162.7"W X 17.8"H X 12.2"W
		20.4 CU. FT.

RIGHT SIDE COMPARTMENTS		
COMP	DOORS	INSIDE DIMENSIONS
R1	ROLL-UP	37.5"W X 56.4"H
R2	ROLL-UP	57.5"W X 26.2"H
R3	ROLL-UP	50.5"W X 56.4"H
H2	LIFT-UP	(2) 23.25" X 73.25" W
		162.7"W X 17.8"H X 12.2"W
		20.4 CU. FT.

REAR STEP COMPARTMENT		
COMP	DOORS	INSIDE DIMENSIONS
A1	ROLL-UP	40.5"W X 16.8"H
		28"H X 4.5"W X 37.0"
		2.16 CU. FT.
		TOTAL: 304.2 CU.FT.



**SUTPHEN**  
 FORT LAUDERDALE FIRE RESCUE  
 FORT LAUDERDALE, FL  
 CUSTOM PUMPER - MODIFIED PA-18 BODY  
 DWG. NO. HS-5444-45

DATE: 03/19/19  
 DATE: 02/29/20  
 DATE: 02/14/20

BY: DUBLIN  
 DATE: 02/14/20

DESCRIPTION: CUSTOM PUMPER - MODIFIED PA-18 BODY

PRE-FINAL INSPECTION LIST UPDATES

ADDED CAB AUXILIARY STEPS

FURTHER CLARIFICATION FOR REAR HOSEBED FLAPS PROVIDED

FURTHER CLARIFICATION FOR REAR HOSEBED FLAPS PROVIDED

THIS PRINT IS PROVIDED ON A RESTRICTED BASIS AND IS NOT TO BE USED IN ANY WAY DETRIMENTAL TO THE INTEREST OF SUTPHEN CORPORATION.

CUSTOMER APPROVAL

NAME: \_\_\_\_\_

TITLE: \_\_\_\_\_

DATE: \_\_\_\_\_

DIMENSIONS SHOWN ON THIS DRAWING ARE APPROXIMATE AND ARE SUBJECT TO MINOR DEVIATIONS DURING CONSTRUCTION.

IN THE EVENT OF A DISCREPANCY BETWEEN THE SUTPHEN SPECIFICATIONS AND DRAWING, THE SUTPHEN SPECIFICATIONS SHALL PREVAIL.

DRAWING IS FOR REFERENCE ONLY. SOME ITEMS PROPOSED MAY NOT BE SHOWN OR NOTED.