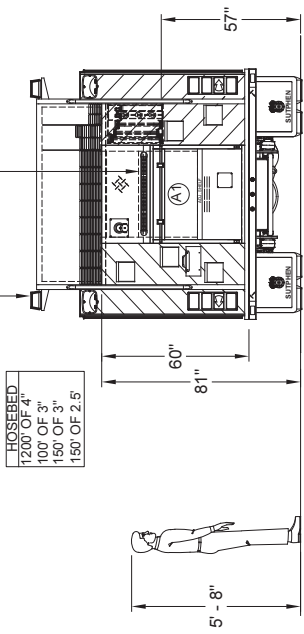
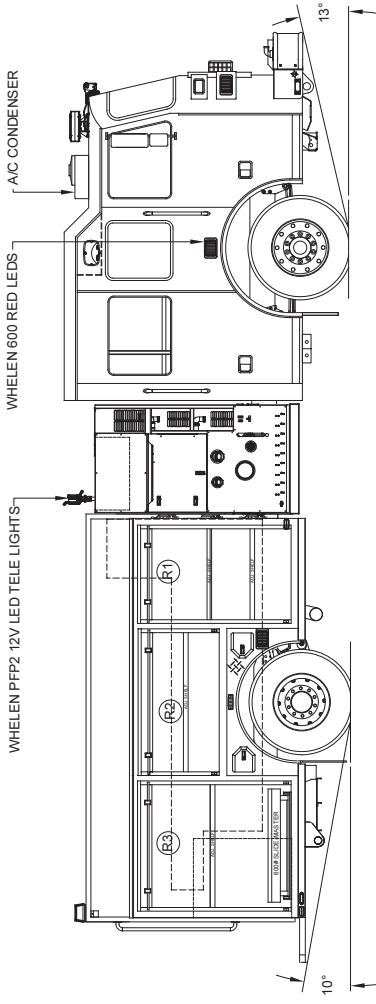


WHELEN L31 BEACONS
HOSEBED
1200" OF 4"
100' OF 3"
150' OF 3"
150' OF 2.5"



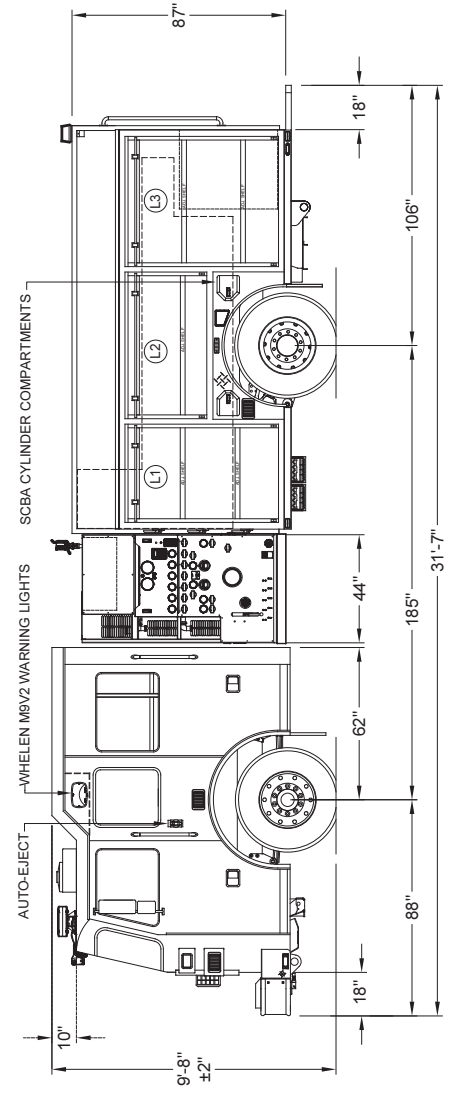
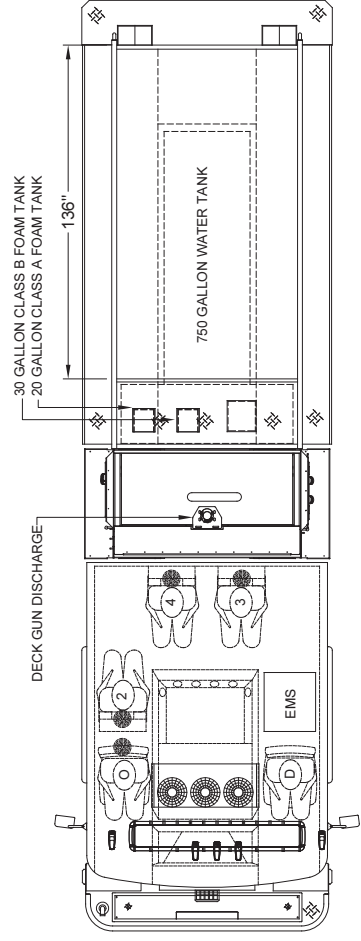
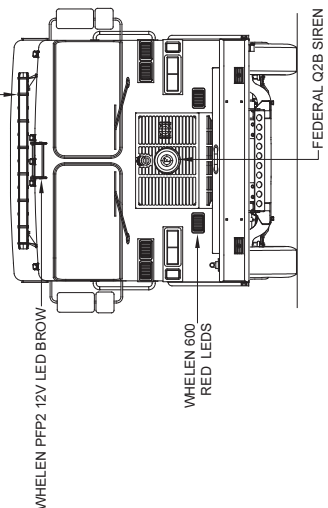
LADDER CHUTE
24" 2-SEC
14' FOLDING
10' PIKE POLE TUBES
BACKBOARD STOR



COMP	DOORS	OPENING DIMENSIONS	INSIDE DIMENSIONS	VOLUME
L1	ROLL-UP	37.5"W X 57.4"H	43.1"W X 66.7"H X 27.3"D	40.8 CU FT.
L2	ROLL-UP	57.5"W X 28.2"H	61.6"W X 36.8"H X 27.3"D	28.8 CU FT.
L3	ROLL-UP	50.5"W X 57.4"H	53.4"W X 66.7"H X 27.3"D	50.5 CU FT.
COMP	DOORS	OPENING DIMENSIONS	INSIDE DIMENSIONS	VOLUME
R1	ROLL-UP	37.5"W X 57.4"H	43.1"W X 66.7"H X 27.3"D	31.1 CU FT.
R2	ROLL-UP	57.5"W X 28.2"H	61.6"W X 36.8"H X 10.5"D	13.8 CU FT.
R3	ROLL-UP	50.5"W X 57.4"H	53.4"W X 66.7"H X 27.3"D	38.6 CU FT.
COMP	DOORS	OPENING DIMENSIONS	INSIDE DIMENSIONS	VOLUME
A1	ROLL-UP	37.5"W X 32.8"H	46.7"H X 49.7"W X 37.1"D	30.2 CU FT.
TOTAL: 233.3 CU. FT.				

SINGLE TONE PAINT
WHITE

WHELEN FREEDOM IV
14 MODULE 72" LED LIGHTBAR



DIMENSIONS SHOWN ON THIS DRAWING ARE APPROXIMATIONS AND ARE SUBJECT TO VARIATIONS DURING CONSTRUCTION.
IN THE EVENT OF A DISCREPANCY BETWEEN THE DIMENSIONS SHOWN ON THIS DRAWING AND THE SUTPHEN SPECIFICATIONS SHALL PREVAIL.
DRAWING IS FOR REFERENCE ONLY. SOME ITEMS PROPOSED MAY NOT BE SHOWN OR NOTED.

CUSTOMER APPROVAL

F **REV-F** SHOP ORDER/REFERENCE SHOP ORDER CHANGE DOCUMENT ON SHARED DRIVE
E **REV-E** SHOP ORDER/REFERENCE SHOP ORDER CHANGE DOCUMENT ON SHARED DRIVE
D REFERENCE SHOP ORDER CHANGE DOCUMENT ON SHARED DRIVE
C REFERENCE SHOP ORDER CHANGE DOCUMENT ON SHARED DRIVE
REV.

DATE: _____
TITLE: _____
DATE: _____

SUTPHEN
OCEAN CITY WRIGHT FIRE DISTRICT
FORT WALTON BEACH, FL
CUSTOM PUMPER - S2 BODY
DUBUN
DATE: _____
BY: _____
MFG FACILITY: _____
DATE: _____
DRAWN BY: _____
TF 01/30/20
T: F4010M
DATE: 01/14/20
TF 01/10/20
032142019
TF 12/31/19
HS-8442

THIS PRINT IS PROVIDED ON A RESTRICTED BASIS AND IS NOT TO BE USED IN ANY WAY DETRIMENTAL TO THE INTEREST OF SUTPHEN CORPORATION.