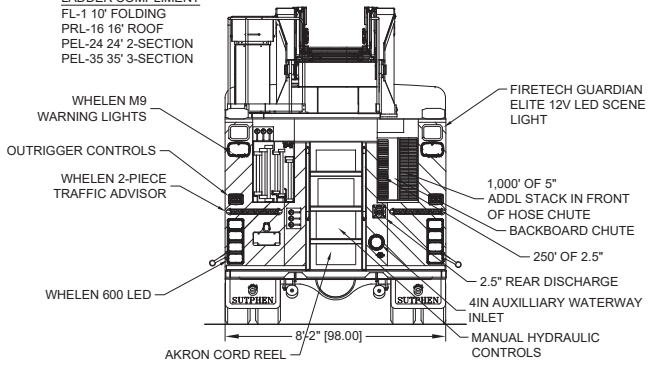


COMP	DOORS	OPENING DIMENSIONS	INSIDE DIMENSIONS	VOLUME
L1 UPPER	ROLL-UP	55.50"W x 28.00"H	62.12"W x 37.13"H x 10.00"D	13.34 CU. FT.
L1 LOWER	ROLL-UP	55.50"W x 30.00"H	62.12"W x 30.00"H x 23.93"D	25.80 CU. FT.
L2	ROLL-UP	38.00"W x 27.13"H	44.50"W x 36.25"H x 10.00"D	9.33 CU. FT.
L3	ROLL-UP	38.00"W x 27.13"H	44.50"W x 36.25"H x 10.00"D	9.33 CU. FT.
L4 UPPER	ROLL-UP	46.00"W x 28.00"H	50.06"W x 37.13"H x 10.00"D	10.75 CU. FT.
L4 LOWER	ROLL-UP	46.00"W x 30.00"H	50.06"W x 30.00"H x 23.93"D	20.80 CU. FT.
R1 UPPER	ROLL-UP	55.50"W x 28.00"H	62.12"W x 37.13"H x 10.00"D	13.34 CU. FT.
R1 LOWER	ROLL-UP	55.50"W x 30.00"H	62.12"W x 30.00"H x 23.93"D	25.80 CU. FT.
R2	ROLL-UP	38.00"W x 27.13"H	44.50"W x 36.25"H x 10.00"D	9.33 CU. FT.
R3	ROLL-UP	38.00"W x 27.13"H	44.50"W x 36.25"H x 10.00"D	9.33 CU. FT.
R4 UPPER	ROLL-UP	46.00"W x 28.00"H	50.06"W x 37.13"H x 10.00"D	10.75 CU. FT.
R4 LOWER	ROLL-UP	46.00"W x 30.00"H	50.06"W x 30.00"H x 23.93"D	20.80 CU. FT.
		SLIDING TOOLBOARD	6.50"W x 75"H x 23.50"D	6.63 CU. FT.
		STOKES/BACKBOARD COMP.	9.00"W x 82.75"H x 25.5"D	10.99 CU. FT.
		GROUND LADDER CHUTE	13.87"W x 26.81"H x 197.28"D	42.45 CU. FT.
		TOTAL VOLUME		238 CU. FT.

ALCO-LITE QUINT LADDER COMPLIMENT
 FL-1 10' FOLDING
 PRL-16 16' ROOF
 PEL-24 24' 2-SECTION
 PEL-35 35' 3-SECTION



DIMENSIONS SHOWN ON THIS DRAWING ARE APPROXIMATE AND ARE SUBJECT TO MINOR DEVIATIONS DURING CONSTRUCTION.

IN THE EVENT OF A DISCREPANCY BETWEEN THE SUTPHEN SPECIFICATIONS AND DRAWING, THE SUTPHEN SPECIFICATIONS SHALL PREVAIL.

DRAWING IS FOR REFERENCE ONLY. SOME ITEMS PROPOSED MAY NOT BE SHOWN OR NOTED.

CUSTOMER APPROVAL

NAME: _____

TITLE: _____

DATE: _____

REV.	DESCRIPTION	BY	DATE

DRAWN BY: APF

DATE: 08/27/18

MFG FACILITY: HILLIARD

SUTPHEN

NASA
KENNEDY SPACE CENTER, FL

SLR75
HS-6435

SWG. NO. _____