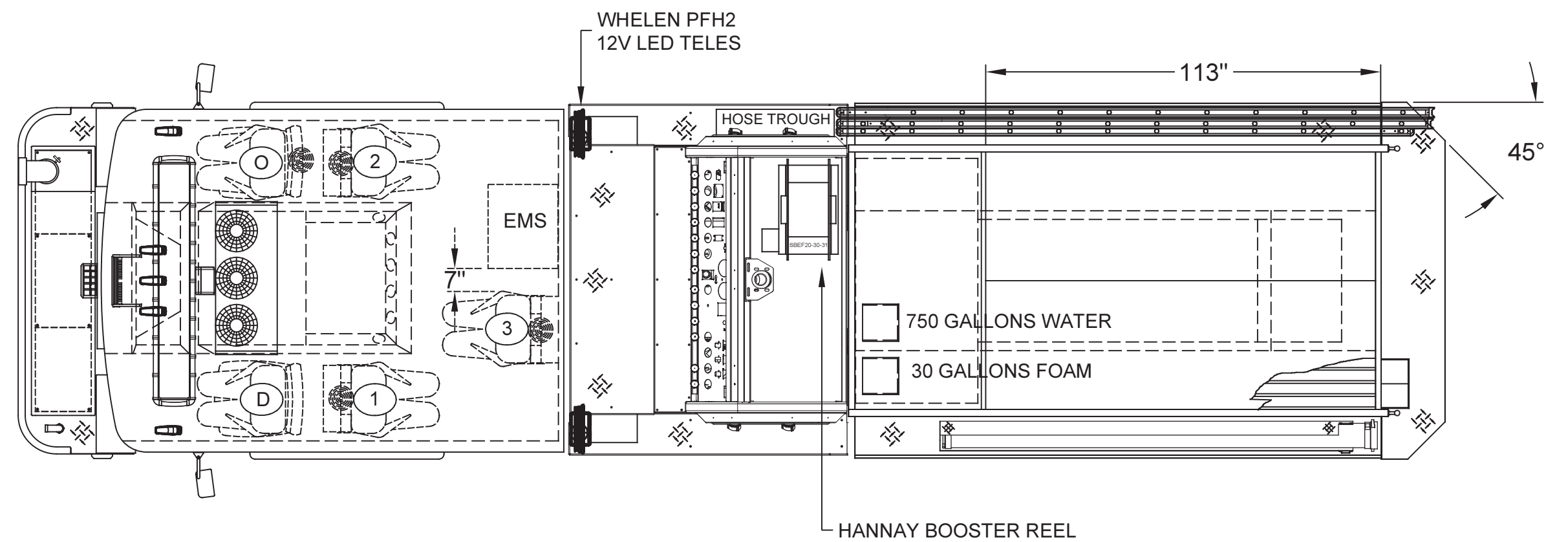


LEFT SIDE COMPARTMENTS				
COMPT	DOORS	OPENING DIMENSIONS	INSIDE DIMENSIONS	VOLUME
L1	SINGLE	23.5" w X 58.4" h	31.1" w X 66" h X 27.3" d	29.4 CU. FT. (10" h X 10.5" d UPPER)
L2	LIFT-UP	55" w X 31.9" h	61.6" w X 36.8" h X 27.3" d	29.8 CU. FT. (10" h X 10.5" d UPPER)
L3	DOUBLE	48.5" w X 58.4" h	53.4" w X 66" h X 27.3" d	49.6 CU. FT. (10" h X 10.5" d UPPER)

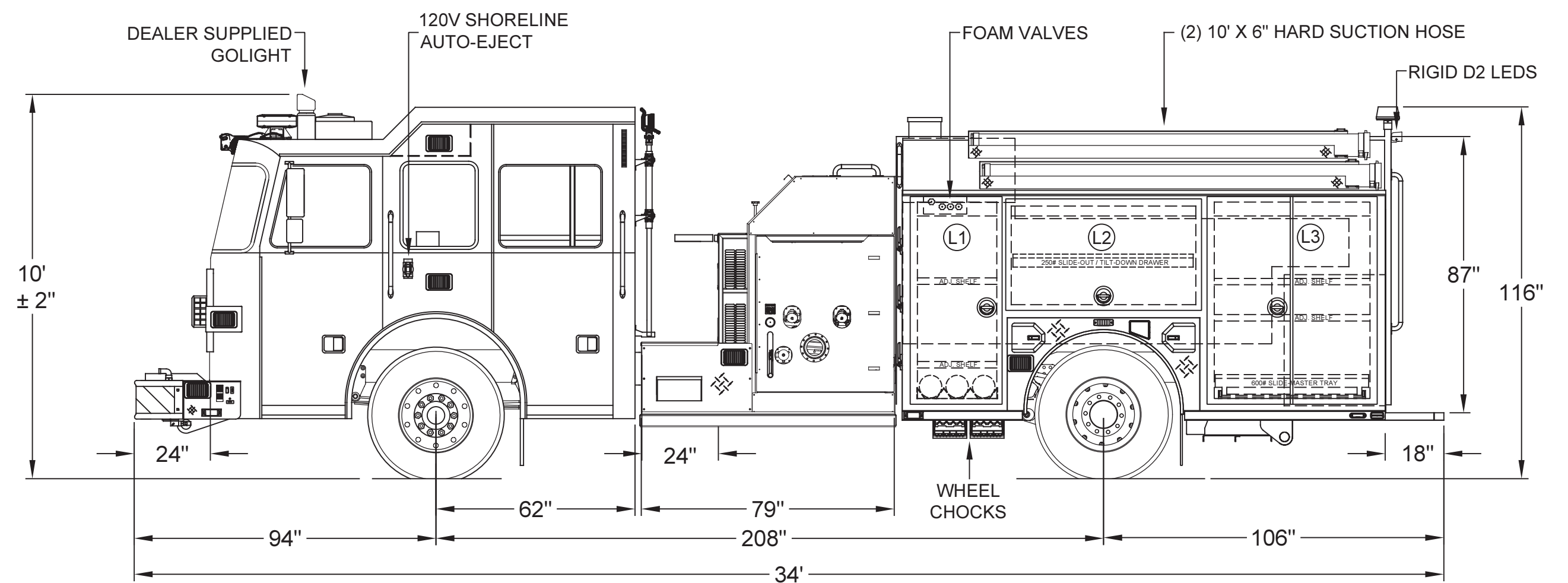
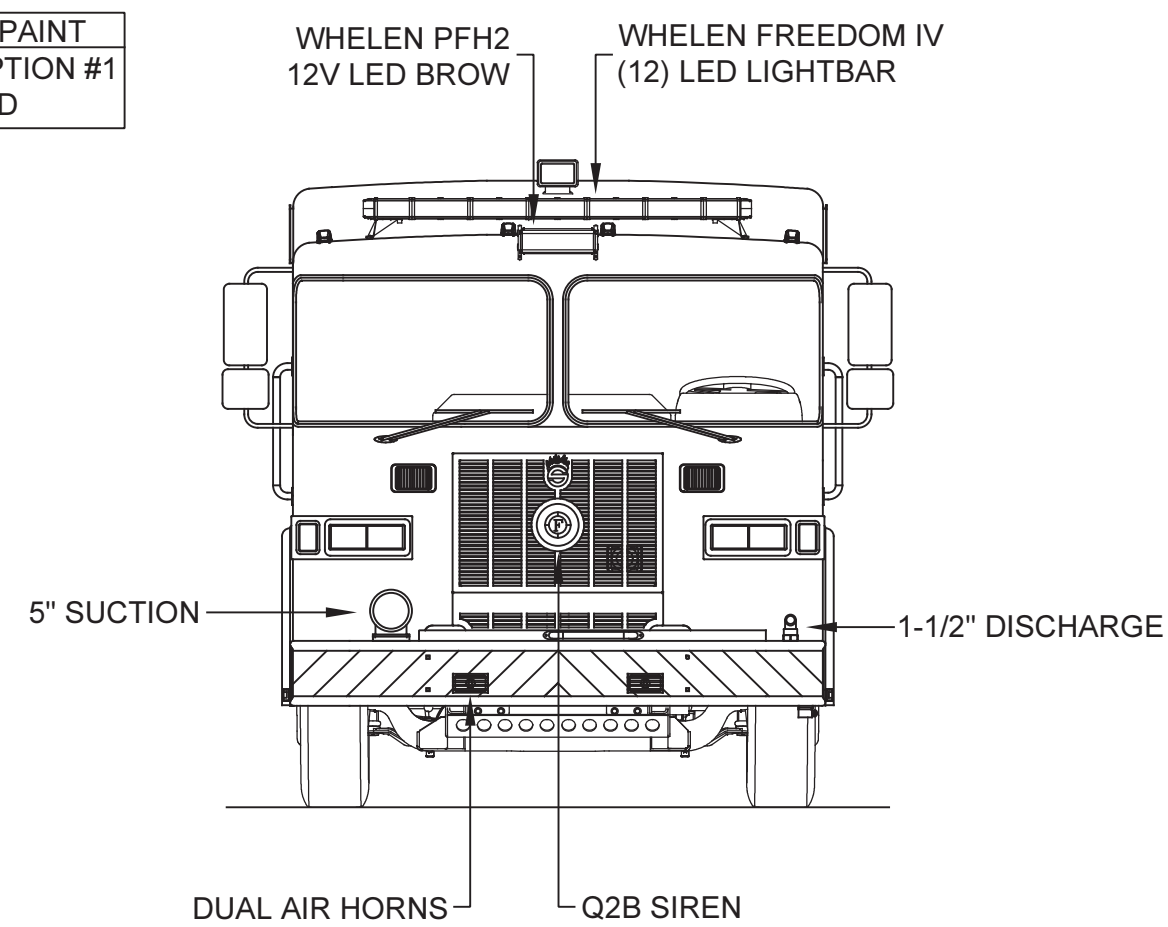
RIGHT SIDE COMPARTMENTS				
COMPT	DOORS	OPENING DIMENSIONS	INSIDE DIMENSIONS	VOLUME
R1	SINGLE	23.5" w X 52.4" h	31.1" w X 60" h X 27.3" d	28.3 CU. FT. (4" h X 10.5" d UPPER)
R2	LIFT-UP	55" w X 25.9" h	61.6" w X 30.8" h X 27.3" d	27.6 CU. FT. (4" h X 10.5" d UPPER)
R3	DOUBLE	48.5" w X 52.4" h	53.4" w X 60" h X 27.3" d	47.7 CU. FT. (4" h X 10.5" d UPPER)

REAR STEP COMPARTMENT				
COMPT	DOORS	OPENING DIMENSIONS	INSIDE DIMENSIONS	VOLUME
A1	ROLL-UP	37.5" w X 32.8" h	40" h X 40" w X 31" d	28.7 CU. FT.

TOTAL: 241 CU. FT.



TWO-TONE CAB PAINT
PAINT BREAK OPTION #1
WHITE OVER RED



DIMENSIONS SHOWN ON THIS DRAWING ARE APPROXIMATE AND ARE SUBJECT TO MINOR DEVIATIONS DURING CONSTRUCTION.

CUSTOMER APPROVAL

NAME: _____
TITLE: _____
DATE: _____

REV.	DESCRIPTION	BY	DATE
C	AMERICAN FLAG DECAL ADDED TO FRONT GRILLE	RM	09/27/19
B	UPDATED ENGINE #S FOR REAR HOSEBED FLAPS	RM	09/12/19
A	REV-A SHOP ORDER	RM	01/31/19

DRAWN BY:

R. MILLER

DATE:

03/02/17

MFG. FACILITY:

DUBLIN



PALM BEACH COUNTY FIRE RESCUE
WEST PALM BEACH, FL

CUSTOM PUMPER - S4 BODY

DWG. NO.: HS-6397-6400

THIS PRINT IS PROVIDED ON A RESTRICTED BASIS AND IS NOT TO BE USED IN ANY WAY DETRIMENTAL TO THE INTEREST OF SUTPHEN CORPORATION.