

LEFT SIDE COMPARTMENTS				
COMPT	DOORS	OPENING DIMENSIONS	INSIDE DIMENSIONS	VOLUME
L1	ROLL-UP	35.5" W X 58.2" H	43.1" W X 66" H X 27.3" D	40.8 CU. FT.
L2	ROLL-UP	55.5" W X 29.0" H	61.6" W X 36.8" H X 27.3" D	29.8 CU. FT.
L3	ROLL-UP	48.5" W X 58.2" H	53.4" W X 66" H X 27.3" D	50.5 CU. FT.

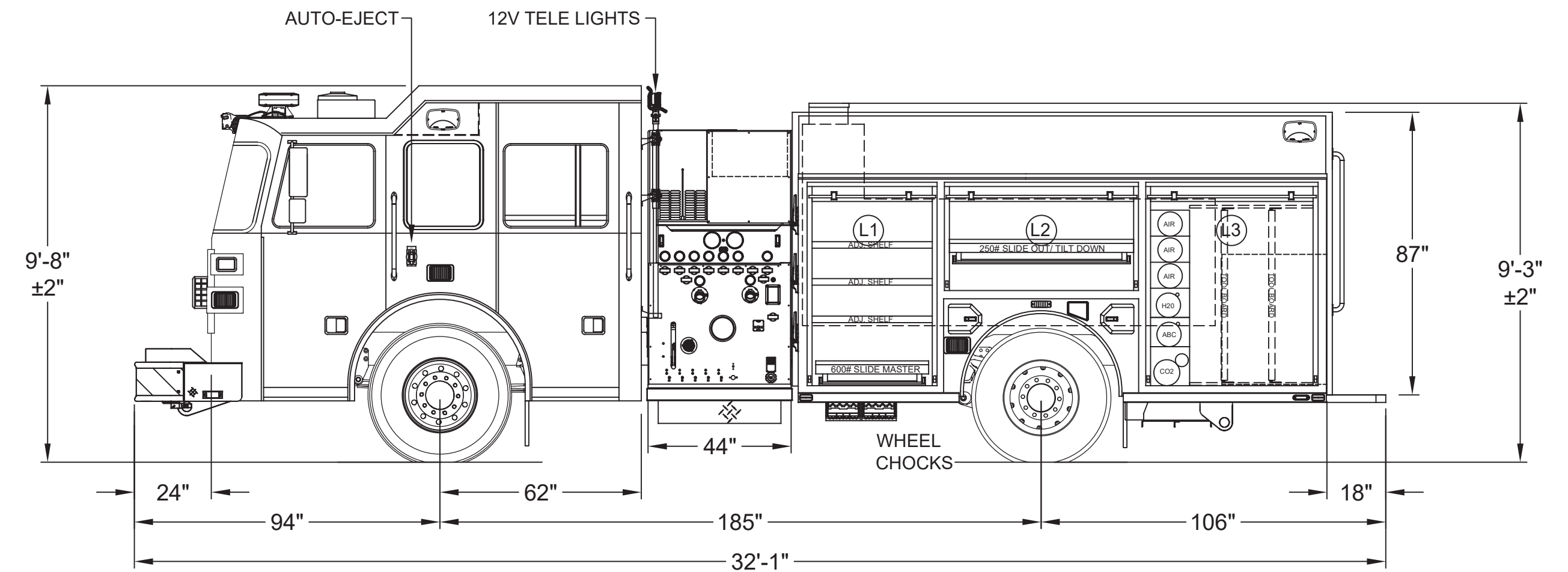
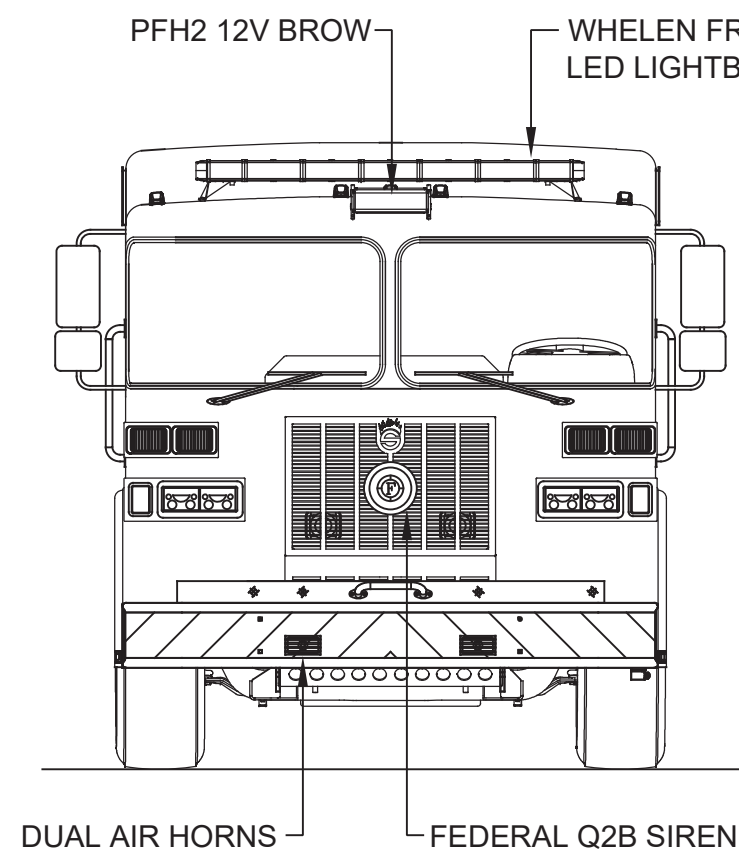
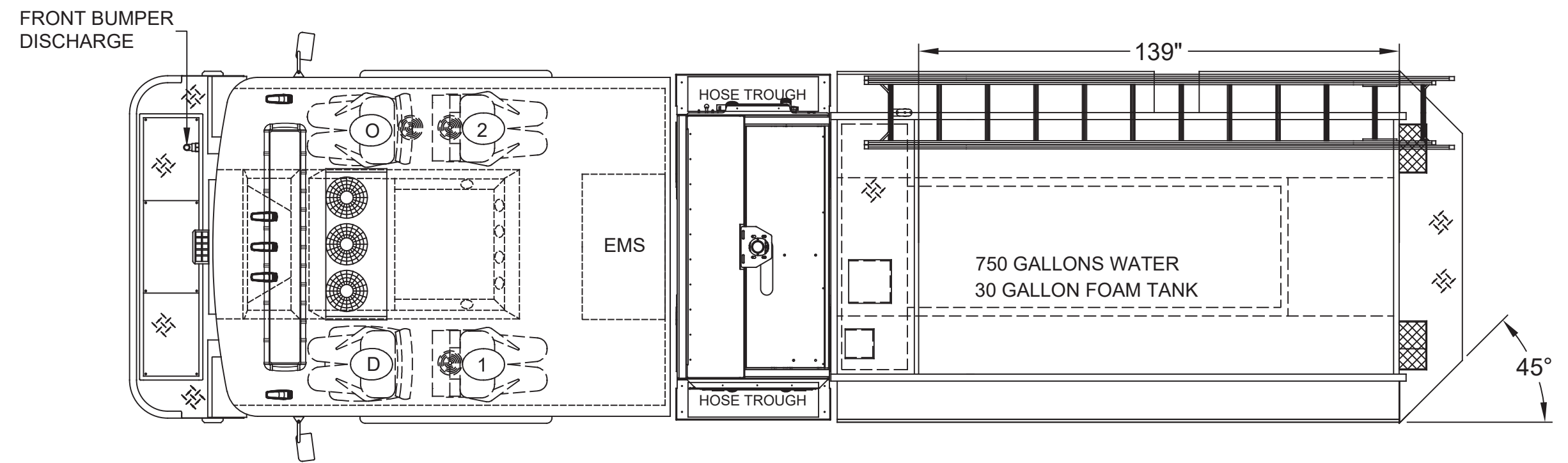
(10" X 10.5" D UPPER)
(10" X 10.5" D UPPER)
(10" X 10.5" D UPPER)

RIGHT SIDE COMPARTMENTS				
COMPT	DOORS	OPENING DIMENSIONS	INSIDE DIMENSIONS	VOLUME
R1	ROLL-UP	35.5" W X 58.2" H	43.1" W X 66" H X 27.3" D	40.8 CU. FT.
R2	ROLL-UP	55.5" W X 29.0" H	44.2" W X 36.8" H X 10.5" D	21.4 CU. FT.
R3	ROLL-UP	48.5" W X 58.2" H	53.4" W X 66" H X 27.3" D	50.5 CU. FT.

(10" X 10.5" D UPPER)
(10" X 10.5" D UPPER)
(10" X 10.5" D UPPER)

REAR STEP COMPARTMENT				
COMPT	DOORS	OPENING DIMENSIONS	INSIDE DIMENSIONS	VOLUME
A1	ROLL-UP	37.5" W X 32.8" H	40" H X 40" W X 31" D	28.7 CU. FT.

TOTAL: 262.5 CU.FT.



DIMENSIONS SHOWN ON THIS DRAWING ARE APPROXIMATE AND ARE SUBJECT TO MINOR DEVIATIONS DURING CONSTRUCTION.

IN THE EVENT OF A DISCREPANCY BETWEEN THE SUTPHEN SPECIFICATIONS AND DRAWING, THE SUTPHEN SPECIFICATIONS SHALL PREVAIL.

DRAWING IS FOR REFERENCE ONLY. SOME ITEMS PROPOSED MAY NOT BE SHOWN OR NOTED.

CUSTOMER APPROVAL

NAME: _____

TITLE: _____

DATE: _____

E	REV-E SHOP ORDER	KMG	11/18/19
D	REV-D SHOP ORDER	KMG	09/25/19
C	REV-C SHOP ORDER	KMG	05/14/19
B	REV-B SHOP ORDER	KMG	04/22/19
REV.	DESCRIPTION	BY	DATE

DRAWN BY: J.MORGAN

DATE: 10/26/18

MFG. FACILITY: DUBLIN

SANIBEL FIRE CONTROL DISTRICT
SANIBEL, FL

CUSTOM PUMPER - S3 BODY

DWG. NO.: HS-6387