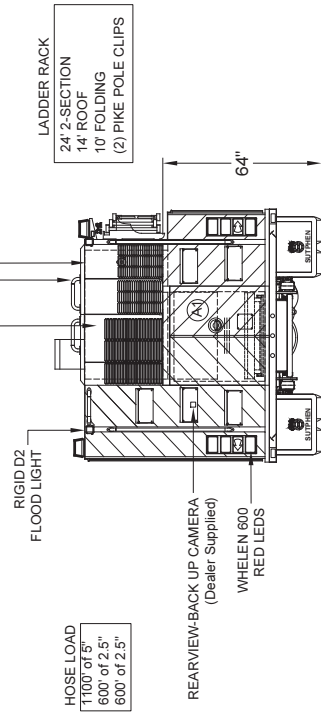
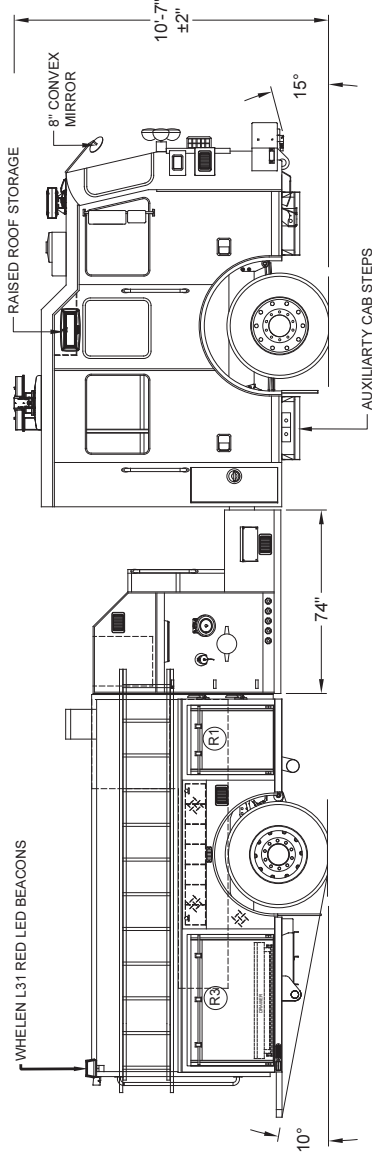


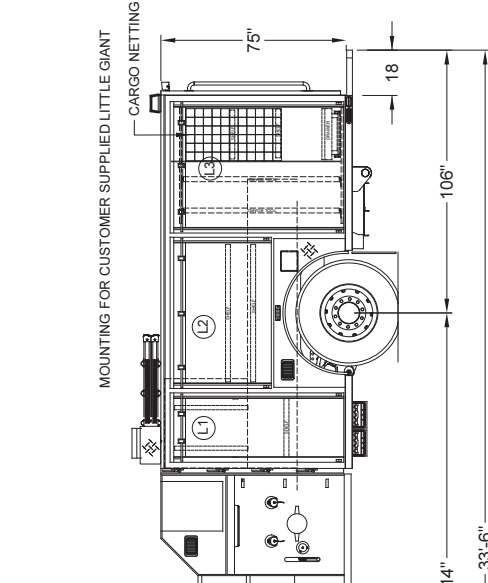
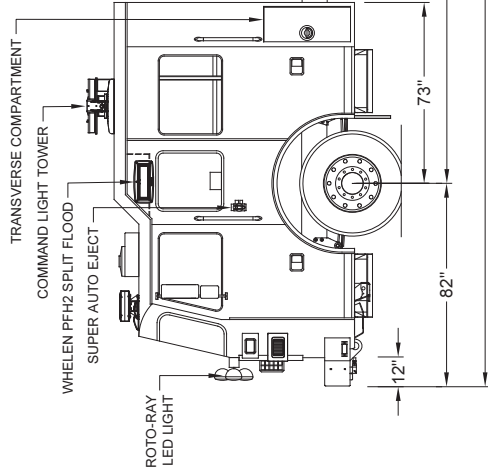
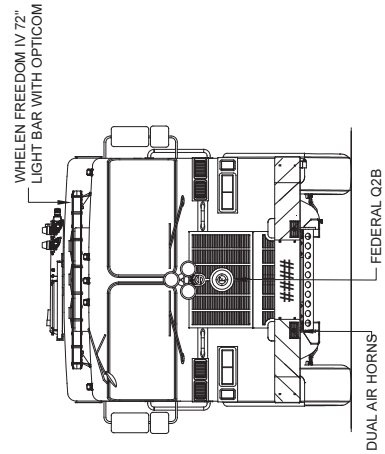
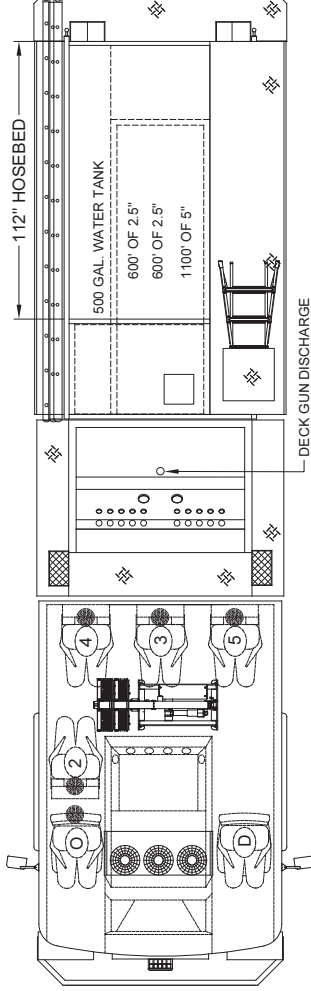
ALUMINUM HOSE BED COVER  
2 1/2" PRE-CONNECT



HOSE LOAD  
1100' OF 5"  
600' OF 2.5"  
600' OF 2.5"



COMPT	DOORS	OPENING DIMENSIONS	INSIDE DIMENSIONS	VOLUME
L1	ROLLUP	25.5"W X 57.4"H	31.1"W X 72"H X 27.3"D	35.4 CU. FT.
L2	ROLLUP	57.5"W X 28.2"H	61.6"W X 42.9"H X 27.3"D	41.6 CU. FT.
L3	ROLLUP	59.5"W X 57.4"H	59.4"W X 72"H X 27.3"D	50.8 CU. FT.
<b>LEFT SIDE COMPARTMENTS</b>				
COMPT	DOORS	OPENING DIMENSIONS	INSIDE DIMENSIONS	VOLUME
R1	ROLLUP	25.5"W X 57.4"H	31.1"W X 40"H X 27.3"D	19.7 CU. FT.
R2	DROP DOWN	57"W X 7.3"H	59"W X 8.5"H X 28.5"D	8.2 CU. FT.
R3	ROLLUP	59.5"W X 37.4"H	59.4"W X 40"H X 27.3"D	33.8 CU. FT.
<b>RIGHT SIDE COMPARTMENTS</b>				
COMPT	DOORS	OPENING DIMENSIONS	INSIDE DIMENSIONS	VOLUME
A1	DOUBLE	37"W X 32.1"H	40"H X 40"W X 31"D	28.7 CU. FT.
				<b>TOTAL: 228.1 CU. FT.</b>



DIMENSIONS SHOWN ON THIS DRAWING ARE APPROXIMATE AND ARE SUBJECT TO MINOR DEVIATIONS DURING CONSTRUCTION.  
IN THE EVENT OF A DISCREPANCY BETWEEN THE SUTPHEN SPECIFICATIONS AND DRAWING, THE SUTPHEN SPECIFICATIONS SHALL PREVAIL.  
DRAWING IS FOR REFERENCE ONLY. SOME ITEMS PROPOSED MAY NOT BE SHOWN OR NOTED.

CUSTOMER APPROVAL

NAME: \_\_\_\_\_  
TITLE: \_\_\_\_\_  
DATE: \_\_\_\_\_

REV  
A AFTER-PRECON  
B COMPONENT REPORT UPDATED

DESCRIPTION  
THIS PRINT IS PROVIDED ON A RESTRICTED BASIS AND IS NOT TO BE USED IN ANY WAY DETRIMENTAL TO THE INTEREST OF SUTPHEN CORPORATION.

DRAWN BY: M'CLARK  
DATE: 09/02/19  
MJC  
DATE: 01/06/19  
MJC  
BY: DUBLIN

**SUTPHEN**  
WILLOUGHBY FIRE DEPARTMENT  
WILLOUGHBY, OH  
CUSTOM PUMPER - ST BODY  
DWG. NO.: HS-5368