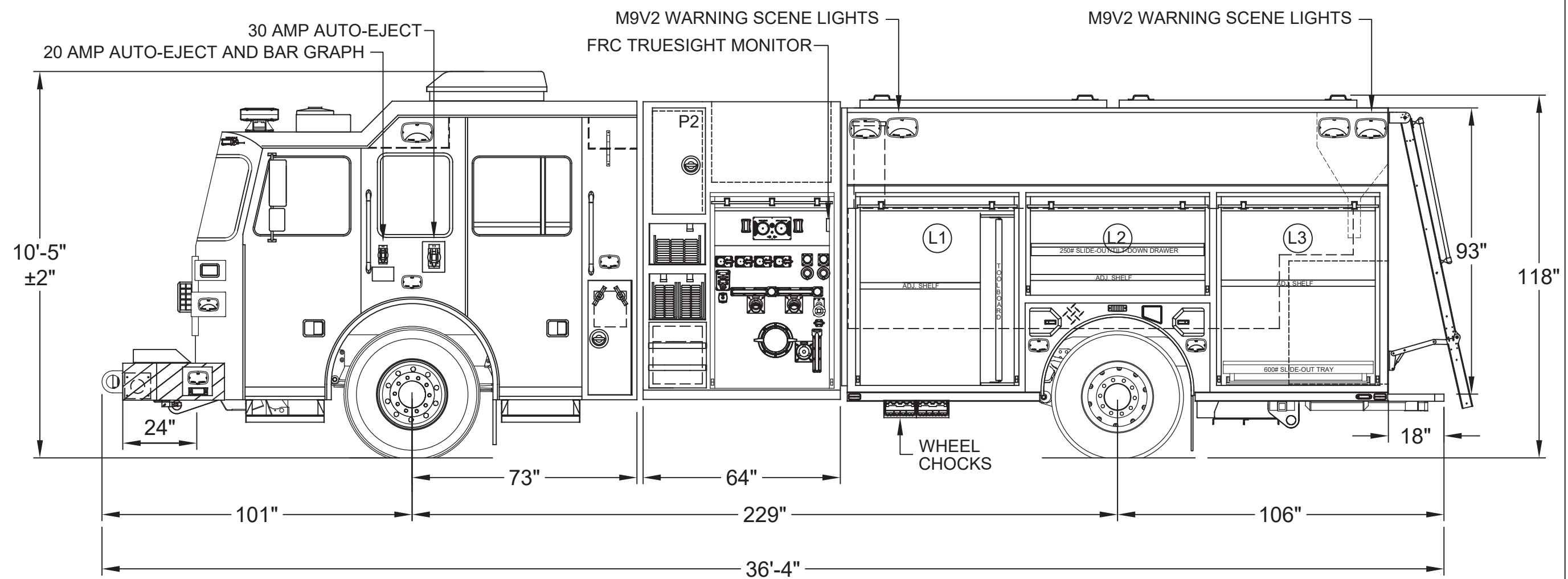
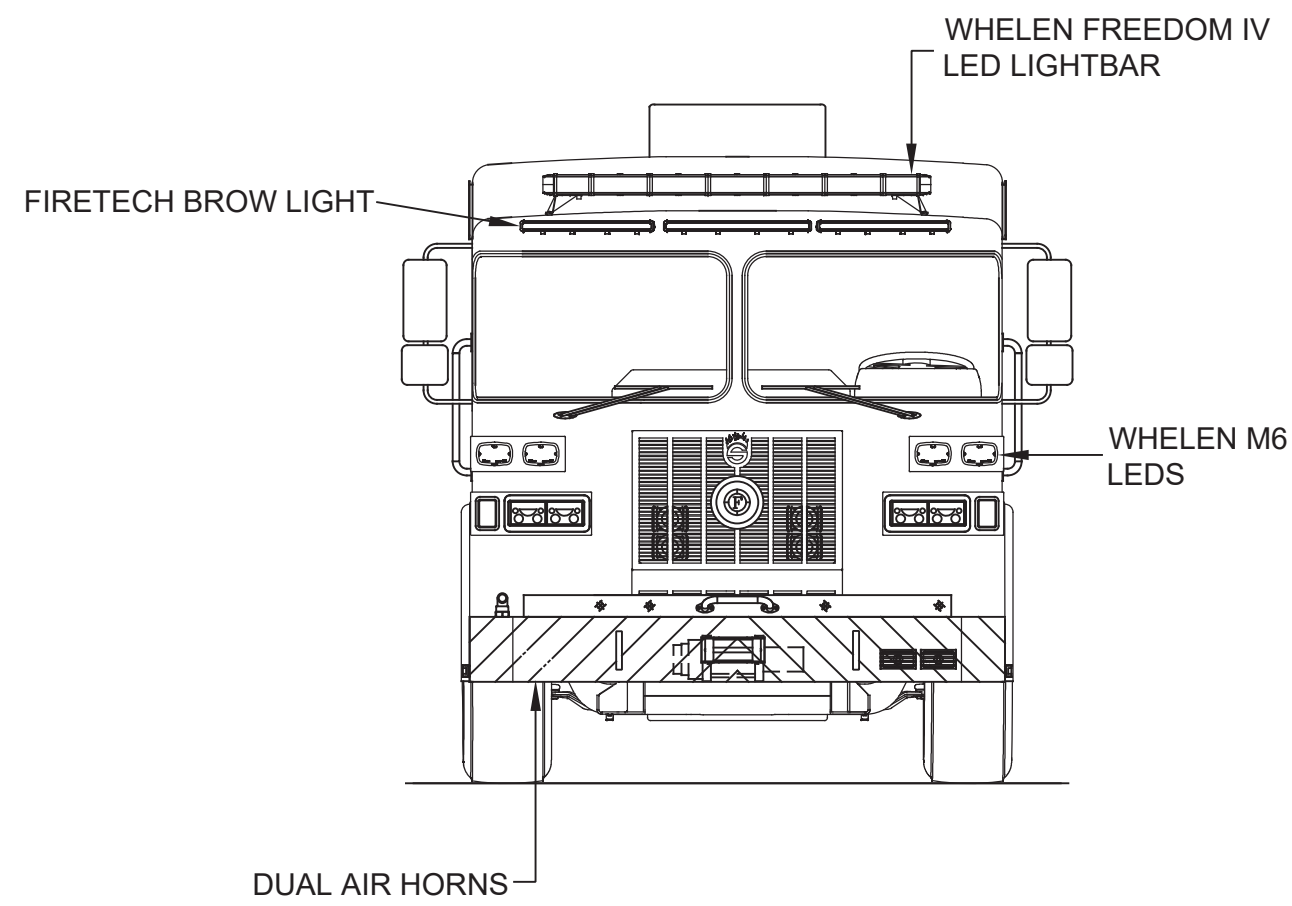
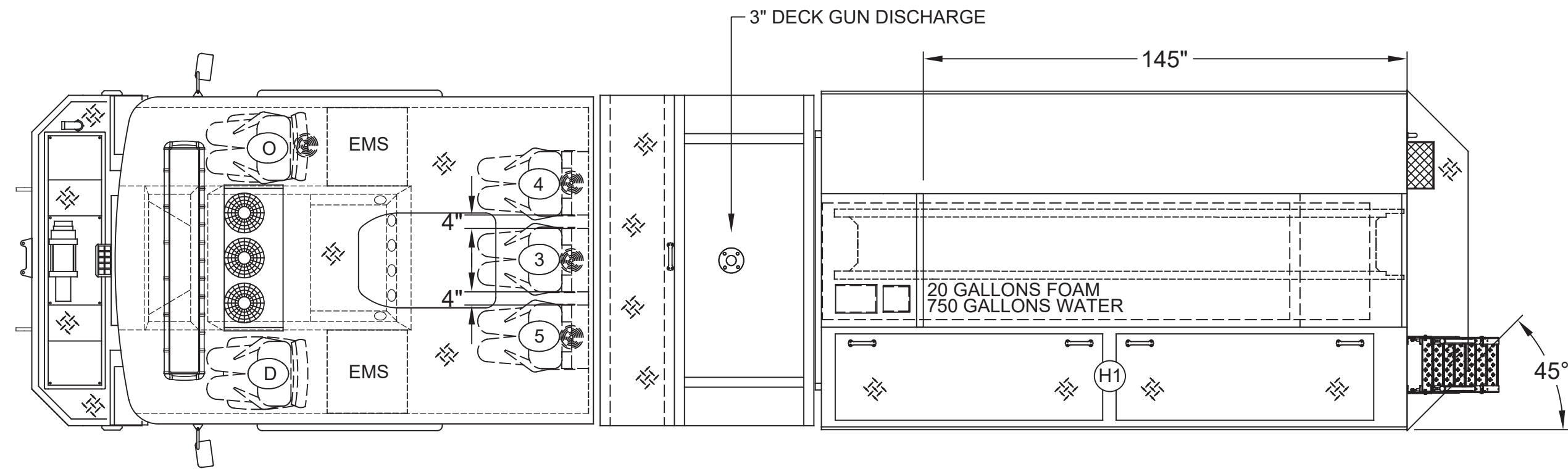


LEFT SIDE COMPARTMENTS				
COMPT	DOORS	OPENING DIMENSIONS	INSIDE DIMENSIONS	VOLUME
L1	ROLL-UP	50.5" w X 57.4" h	56.1" w X 66" h X 27.3" d	58.5 CU. FT.
L2	ROLL-UP	57.5" w X 28.2" h	61.6" w X 36.8" h X 27.3" d	35.8 CU. FT.
L3	ROLL-UP	50.5" w X 57.4" h	52.4" w X 66" h X 27.3" d	55.7 CU. FT.
H1	LIFT-UP	(2) 23.25" l X 73.25" w	174.7" w X 24.8" h X 29.2" d	73.2 CU. FT.

RIGHT SIDE COMPARTMENTS				
COMPT	DOORS	OPENING DIMENSIONS	INSIDE DIMENSIONS	VOLUME
R1	ROLL-UP	50.5" w X 57.4" h	56.1" w X 66" h X 27.3" d	58.5 CU. FT.
R2	ROLL-UP	57.5" w X 28.2" h	61.6" w X 36.8" h X 27.3" d	35.8 CU. FT.
R3	ROLL-UP	50.5" w X 57.4" h	52.4" w X 66" h X 27.3" d	55.7 CU. FT.
H2	LIFT-UP	(2) 23.25" l X 73.25" w	174.7" w X 24.8" h X 29.2" d	73.2 CU. FT.

REAR STEP COMPARTMENT				
COMPT	DOORS	OPENING DIMENSIONS	INSIDE DIMENSIONS	VOLUME
A1	ROLL-UP	37.5" w X 32.8" h	40" h X 40" w X 31" d	28.7 CU. FT.
				<b>TOTAL: 475.2 CU.FT.</b>



DIMENSIONS SHOWN ON THIS DRAWING ARE APPROXIMATE AND ARE SUBJECT TO MINOR DEVIATIONS DURING CONSTRUCTION.

IN THE EVENT OF A DISCREPANCY BETWEEN THE SUTPHEN SPECIFICATIONS AND DRAWING, THE SUTPHEN SPECIFICATIONS SHALL PREVAIL.

DRAWING IS FOR REFERENCE ONLY. SOME ITEMS PROPOSED MAY NOT BE SHOWN OR NOTED.

CUSTOMER APPROVAL

NAME: \_\_\_\_\_

TITLE: \_\_\_\_\_

DATE: \_\_\_\_\_

P	SHOP ORDER REV-P.	KG	11/22/19
O	SHOP ORDER REV-O.	KG	11/21/19
N	SHOP ORDER REV-N.	KG	11/08/19
M	SHOP ORDER REV-M.	KG	10/18/19
REV.	DESCRIPTION	BY	DATE
THIS PRINT IS PROVIDED ON A RESTRICTED BASIS AND IS NOT TO BE USED IN ANY WAY DETRIMENTAL TO THE INTEREST OF SUTPHEN CORPORATION.			

DRAWN BY:	K.GOON
DATE:	10/24/18
MFG. FACILITY:	DUBLIN

**SUTPHEN**

TRAVIS COUNTY ESD #6  
AUSTIN, TX

CUSTOM PUMPER - PA-16 BODY

DWG. NO.: HS-6365