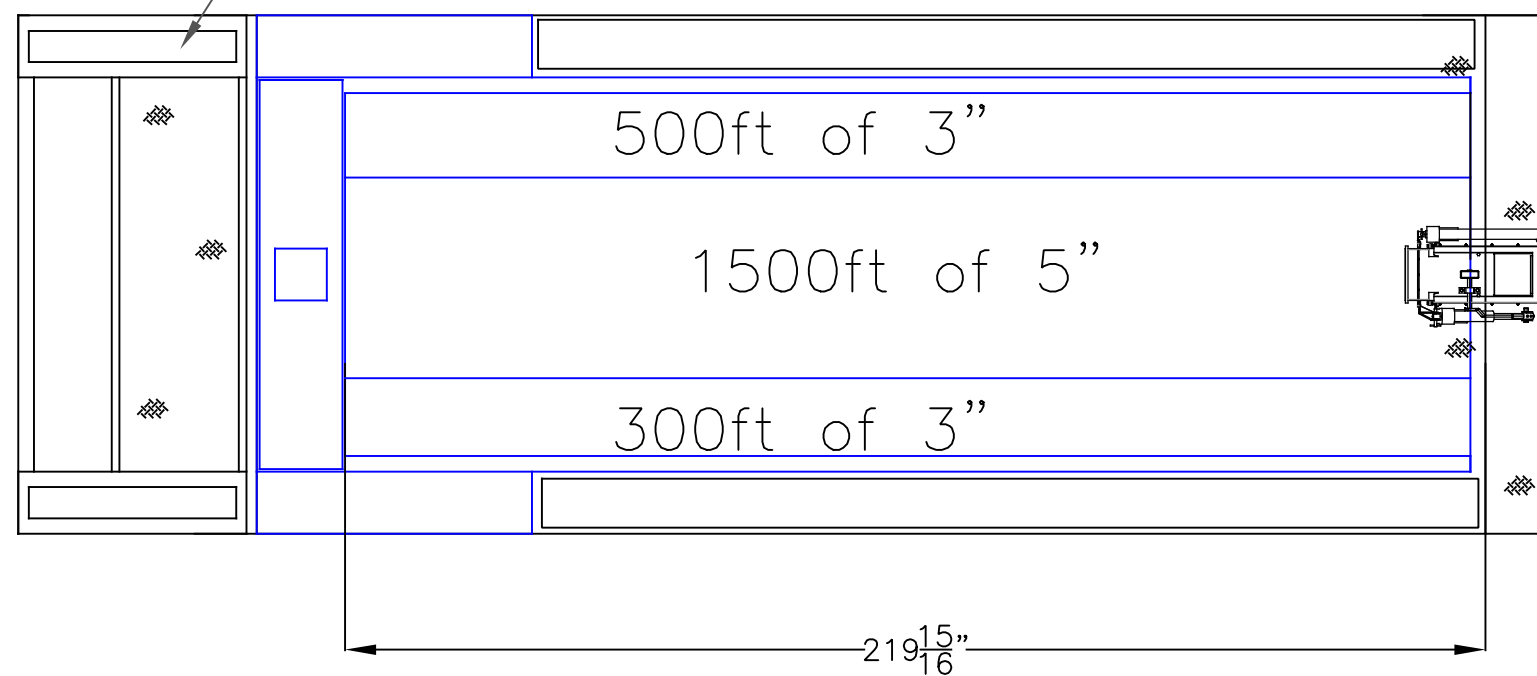


(1) WATER CAN
(1) DRY CHEM EXT.

1 SCBA/ 1 SPARE BOTTLE
(Hopewell style)
PAINTED DOORS
Trough holds 50ft of 5"(FIXED)
Both Sides

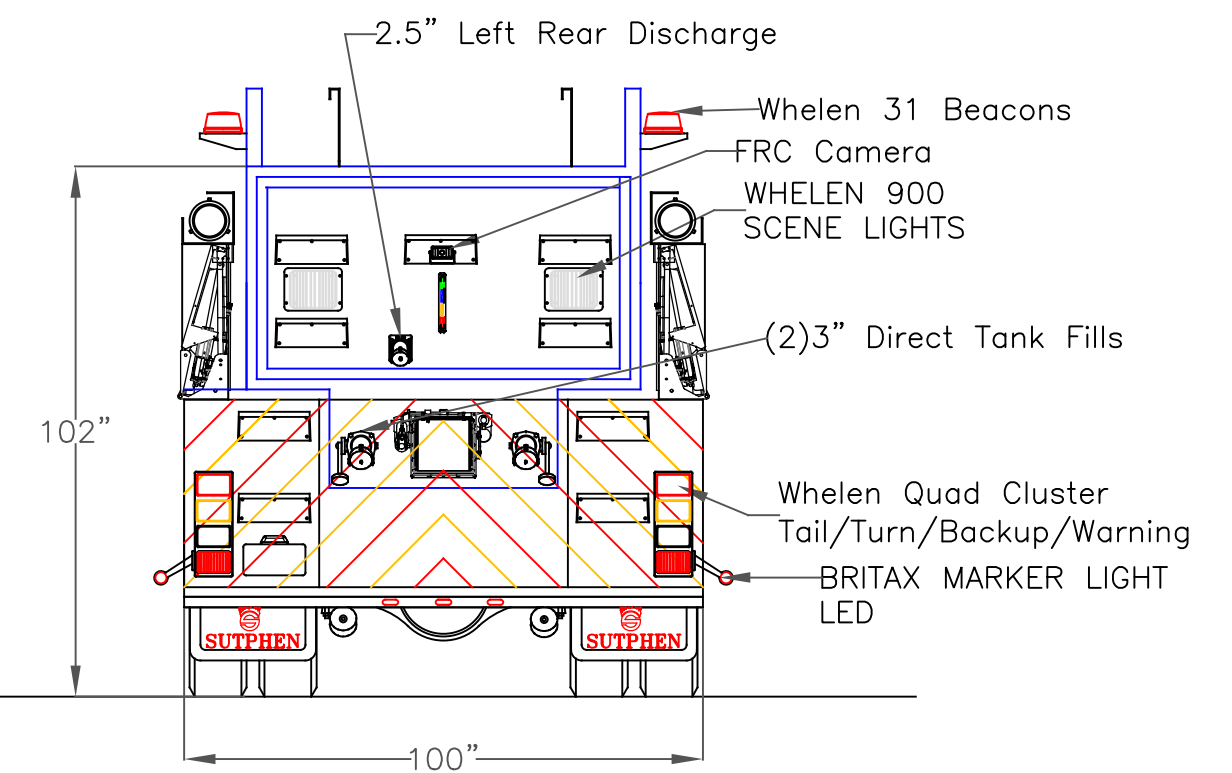
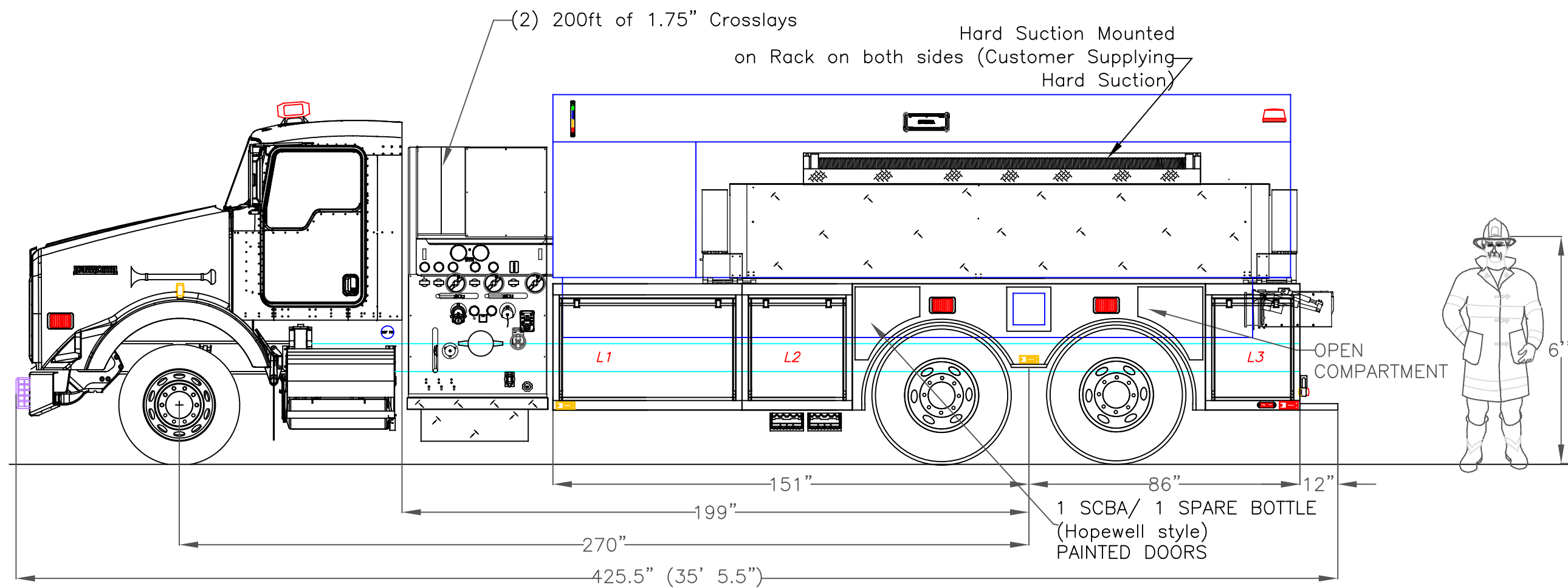
4" Discharge



Left Side Compartmentation				
Compt	Doors	Opening Dimensions	Inside Dimensions WxHxD	Volume
L1	Roll-up	53x26	60x36x24.25	30.3 CU FT
L2	Roll-up	28x26	35x36x24.25	17.7 CU FT
L3	Roll-up	23x26	30x36x24.25	15.2 CU FT
Right Side Compartmentation				
Compt	Doors	Opening Dimensions	Inside Dimensions WxHxD	Volume
R1	Roll-up	53x26	60x36x24.25	30.3 CU FT
R2	Roll-up	28x26	35x36x24.25	17.7 CU FT
R3	Roll-up	23x26	30x36x24.25	15.2 CU FT

Total Volume
126.3 CU Ft

Hale Qmax 1500 single stage
Water Tank Capacity 3800 gal



DIMENSIONS SHOWN ON THIS DRAWING ARE APPROXIMATE AND ARE SUBJECT TO MINOR DEVIATIONS DURING CONSTRUCTION.

IN THE EVENT OF A DISCREPANCY BETWEEN THE SUTPHEN SPECIFICATIONS AND DRAWING, THE SUTPHEN SPECIFICATIONS SHALL PREVAIL.

DRAWING IS FOR REFERENCE ONLY. SOME ITEMS PROPOSED MAY NOT BE SHOWN OR NOTED.

CUSTOMER APPROVAL

NAME: _____

TITLE: _____

DATE: _____

REV.	DESCRIPTION	BY	DATE
A	Changes from Pre-Con	SED	7/3/18

THIS PRINT IS PROVIDED ON A RESTRICTED BASIS AND IS NOT TO BE USED IN ANY WAY DETRIMENTAL TO THE INTEREST OF SUTPHEN CORPORATION.

DRAWN BY:
S.DORFMAN

DATE:
1/24/17

MFG. FACILITY:
SUTPHEN EAST
LAKE ARIEL, PA

SUTPHEN EAST
55 INNOVATION DRIVE
LAKE ARIEL, PA

Nashville Volunteer Fire Co#1
Spring Grove, PA

Commercial Wet Side Tanker
HS 6318