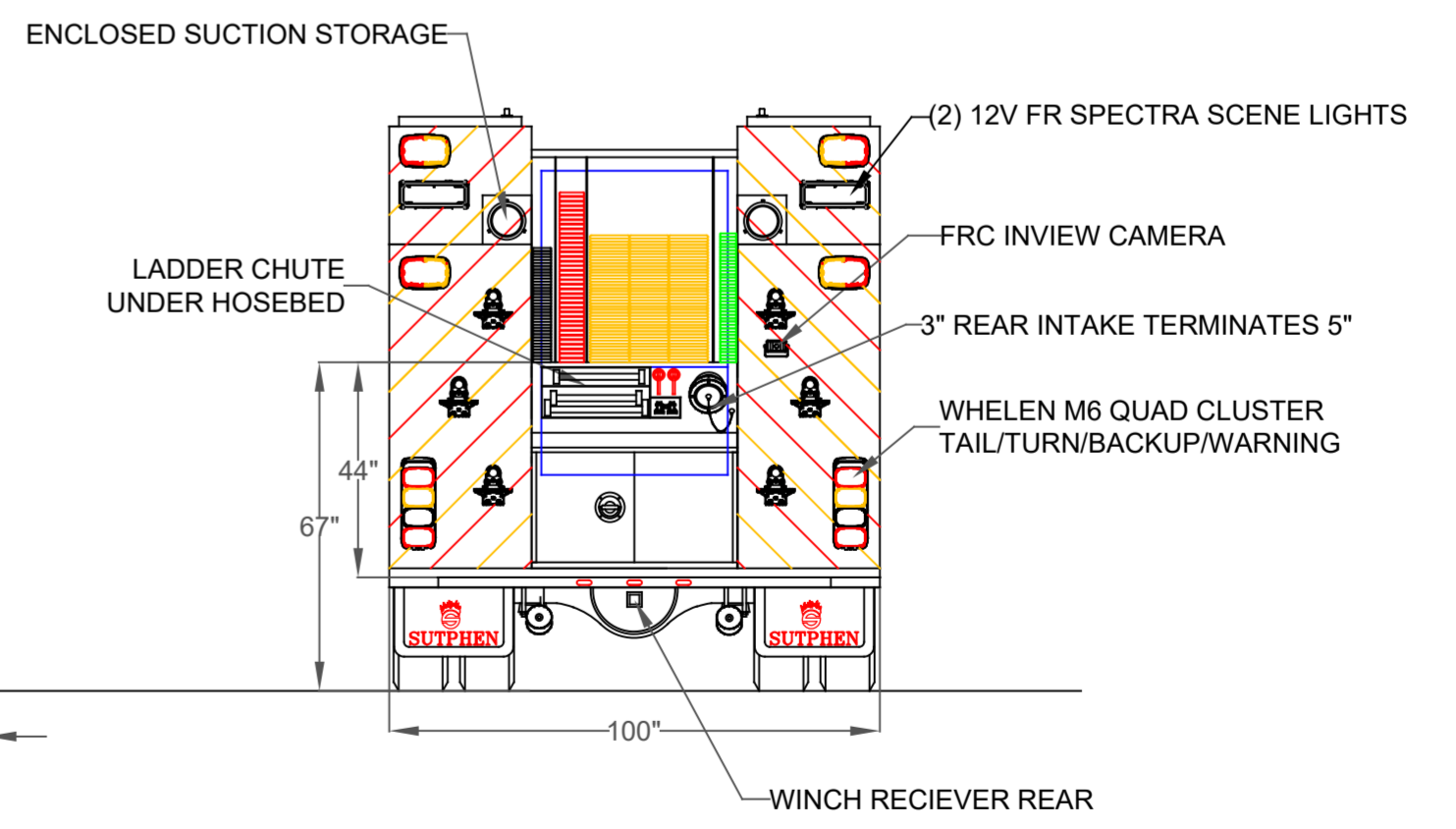
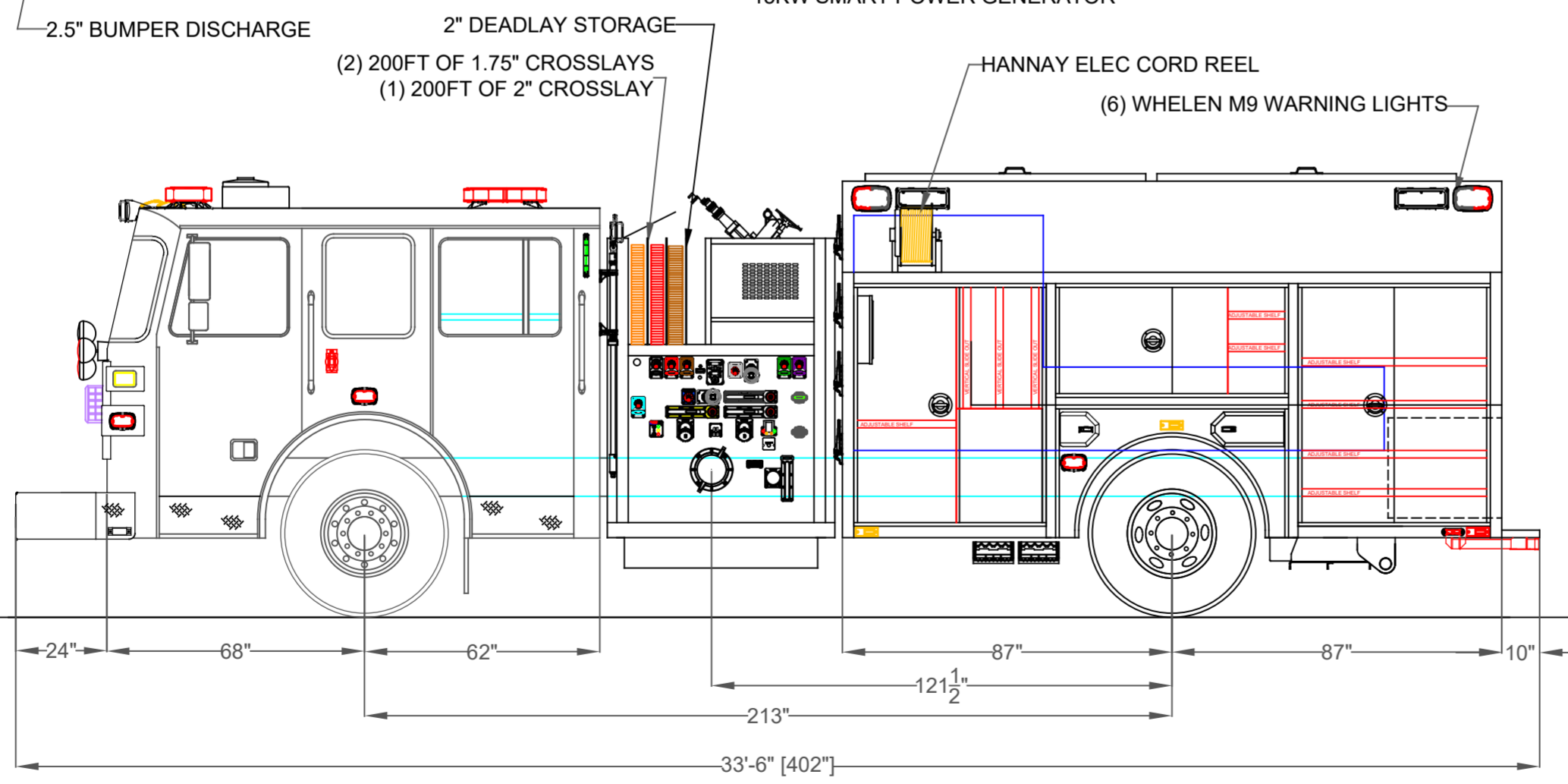


Hose Load
 1:300ft of 2" Preconnected
 2:300ft of 3"
 3:1000ft of 5"
 4:300ft of 1 3/4" Preconnected

Left Side Compartmentation				
Compt	Doors	Opening Dimensions	Inside Dimensions	Volume
WxHxD				
L1	Hinged	48x62	54x66x27.25	57.2 CU FT
L2	Hinged	57x28	66x32x27.25	32.3 CU FT
L3	Hinged	48x62	54x66x27.25	57.2 CU FT
Right Side Compartmentation				
Compt	Doors	Opening Dimensions	Inside Dimensions	Volume
R1	Hinged	48x62	54x66x27.25	57.2 CU FT
R2	Hinged	57x28	66x32x27.25	32.3 CU FT
R3	Hinged	48x62	54x66x27.25	57.2 CU FT
Rear Compartmentation				
Compt	Doors	Opening Dimensions	Inside Dimensions	Volume
A1	Hinged	35x22	42x26x29.25	17.9 CU FT
Coffin Compartmentation				
Compt	Doors	Opening Dimensions	Inside Dimensions	Volume
LxHxW				
LH	Hatch	(2) 77x25	174x24x29	67.2 CU FT
RH	Hatch	(2) 77x25	174x24x29	67.2 CU FT

Hale Qmax 1500 single stage
Water Tank Capacity 500 gal

Total Volume	445.7 CU FT
--------------	-------------



DIMENSIONS SHOWN ON THIS DRAWING ARE APPROXIMATE AND ARE SUBJECT TO MINOR DEVIATIONS DURING CONSTRUCTION.

IN THE EVENT OF A DISCREPANCY BETWEEN THE SUTPHEN SPECIFICATIONS AND DRAWING, THE SUTPHEN SPECIFICATIONS SHALL PREVAIL.

DRAWING IS FOR REFERENCE ONLY. SOME ITEMS PROPOSED MAY NOT BE SHOWN OR NOTED.

CUSTOMER APPROVAL

NAME: _____

TITLE: _____

DATE: _____

REV.	DESCRIPTION	BY	DATE

THIS PRINT IS PROVIDED ON A RESTRICTED BASIS AND IS NOT TO BE USED IN ANY WAY DETRIMENTAL TO THE INTEREST OF SUTPHEN CORPORATION.

DRAWN BY:
J. Gordon

DATE:
03/14/2018

MFG. FACILITY:
SUTPHEN EAST LAKE ARIEL, PA

SUTPHEN
 Glen Rock Hose & Ladder Co.
 Glen Rock, PA

PA-16 Custom Aluminum Rescue/Pumper
 DWG. NO.: HS 6301