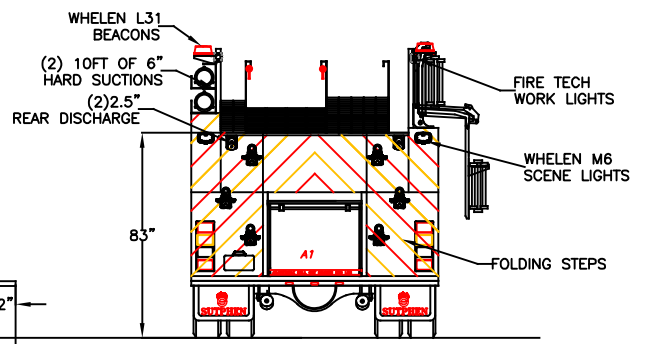
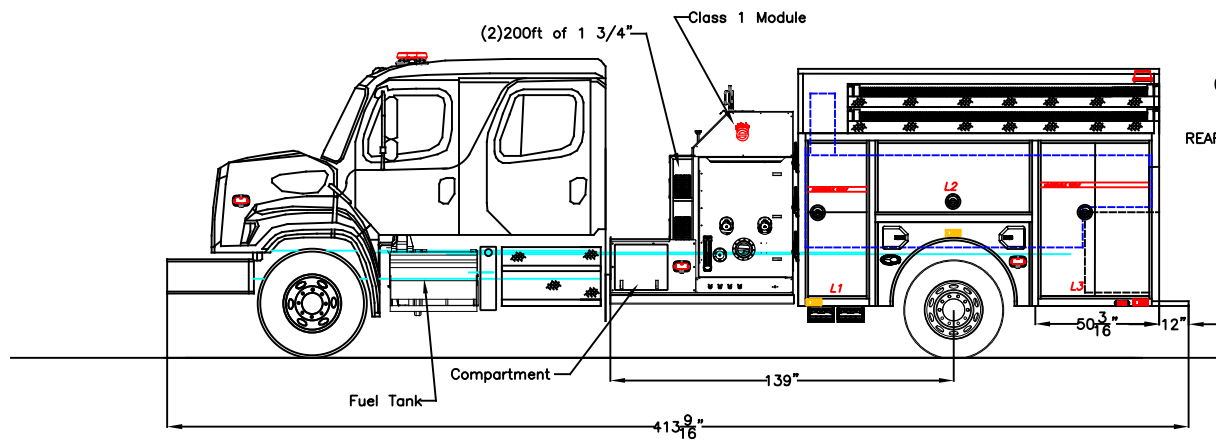


Left Side Compartmentation				
Compt	Doors	Opening Dimensions	Inside Dimensions	Volume
L1	HINGE	23.75x62	30x60x10.25/27.25	21.8 CU FT
L2	HINGE	61.5x28	66x32x10.25	12.5 CU FT
L3	HINGE	36x62	50x60x10.25/27.25	36.3 CU FT
Right Side Compartmentation				
Compt	Doors	Opening Dimensions	Inside Dimensions	Volume
R1	HINGE	23.75x62	30x60x10.25/27.25	20.7 CU FT
R2	HINGE	61.5x28	66x32x10.25	10.2 CU FT
R3	HINGE	36x62	50x60x10.25/27.25	34.5 CU FT
Rear Compartmentation				
Compt	Doors	Opening Dimensions	Inside Dimensions	Volume
A1	Roll Up	35x22	42x32x30	23.3 CU FT
Total Volume				159.3 CU FT

HALE OMAX 1500 SINGLE STAGE PUMP
1000 GALLONS OF WATER



DIMENSIONS SHOWN ON THIS DRAWING ARE APPROXIMATE AND ARE SUBJECT TO MINOR DEVIATIONS DURING CONSTRUCTION.

IN THE EVENT OF A DISCREPANCY BETWEEN THE SUTPHEN SPECIFICATIONS AND DRAWING, THE SUTPHEN SPECIFICATIONS SHALL PREVAIL.

DRAWING IS FOR REFERENCE ONLY. SOME ITEMS PROPOSED MAY NOT BE SHOWN OR NOTED.

CUSTOMER APPROVAL

NAME: _____

TITLE: _____

DATE: _____

REV.	DESCRIPTION	BY	DATE
A	CHANGES FROM PRE-CON	SED	8/10/18

DRAWN BY: S.DORFMAN

DATE: 01/10/2018

MFG. FACILITY: SUTPHEN EAST LAKE ARIEL, PA

7766 NO.:

SUTPHEN EAST
55 INNOVATION DRIVE
LAKE ARIEL, PA
1-844-776-2889

MADISONVILLE IFC
MADISON TWP, PA 18444

COMMERCIAL ALUMINUM PUMPER
HS 6300