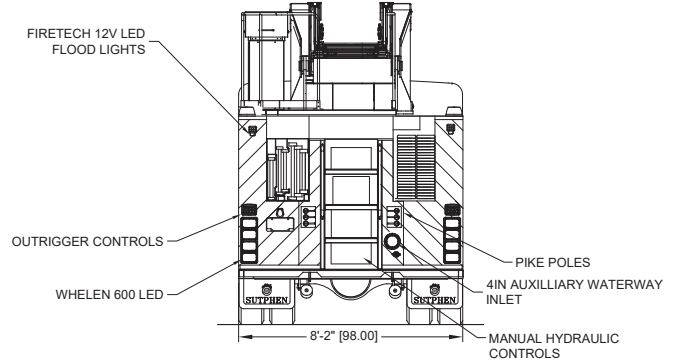


COMPT	DOORS	OPENING DIMENSIONS	INSIDE DIMENSIONS	VOLUME
L1 UPPER	ROLL-UP	55.50"W x 28.00"H	62.12"W x 37.13"H x 10.00"D	13.34 CU. FT.
L1 LOWER	ROLL-UP	55.50"W x 30.00"H	62.12"W x 30.00"H x 23.93"D	25.80 CU. FT.
L2	ROLL-UP	38.00"W x 27.13"H	44.50"W x 36.25"H x 10.00"D	9.33 CU. FT.
L3	ROLL-UP	38.00"W x 27.13"H	44.50"W x 36.25"H x 10.00"D	9.33 CU. FT.
L4 UPPER	ROLL-UP	46.00"W x 28.00"H	50.06"W x 37.13"H x 10.00"D	10.75 CU. FT.
L4 LOWER	ROLL-UP	46.00"W x 30.00"H	50.06"W x 30.00"H x 23.93"D	20.80 CU. FT.
R1 UPPER	ROLL-UP	55.50"W x 28.00"H	62.12"W x 37.13"H x 10.00"D	13.34 CU. FT.
R1 LOWER	ROLL-UP	55.50"W x 30.00"H	62.12"W x 30.00"H x 23.93"D	25.80 CU. FT.
R2	ROLL-UP	38.00"W x 27.13"H	44.50"W x 36.25"H x 10.00"D	9.33 CU. FT.
R3	ROLL-UP	38.00"W x 27.13"H	44.50"W x 36.25"H x 10.00"D	9.33 CU. FT.
R4 UPPER	ROLL-UP	46.00"W x 28.00"H	50.06"W x 37.13"H x 10.00"D	10.75 CU. FT.
R4 LOWER	ROLL-UP	46.00"W x 30.00"H	50.06"W x 30.00"H x 23.93"D	20.80 CU. FT.
TOTAL VOLUME				178.70 CU. FT.

ALCO-LITE QUINT
 LADDER COMPLIMENT
 FL-1 10' FOLDING (FLY SECTION)
 PRL-16 16' ROOF
 PEL-24 24' 2-SECTION
 PEL-35 35' 3-SECTION



DIMENSIONS SHOWN ON THIS DRAWING ARE APPROXIMATE AND ARE SUBJECT TO MINOR DEVIATIONS DURING CONSTRUCTION.	CUSTOMER APPROVAL					DRAWN BY: APF	 SUTPHEN DEMO 453
	IN THE EVENT OF A DISCREPANCY BETWEEN THE SUTPHEN SPECIFICATIONS AND DRAWING, THE SUTPHEN SPECIFICATIONS SHALL PREVAIL.	NAME:					
DRAWING IS FOR REFERENCE ONLY. SOME ITEMS PROPOSED MAY NOT BE SHOWN OR NOTED.	TITLE:					MFG FACILITY: HILLIARD	SLR75
	DATE:					BY DATE	HS-6299

THIS PRINT IS PROVIDED ON A RESTRICTED BASIS AND IS NOT TO BE USED IN ANY WAY DETRIMENTAL TO THE INTEREST OF SUTPHEN CORPORATION.