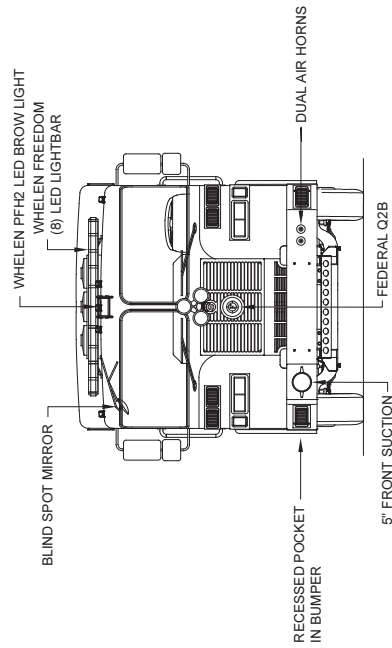


LADDER RACK
10' FOLDING
24' 2-SECTION
14' ROOF
(2) PIKE POLE CLIPS

COMP	DOORS	OPENING DIMENSIONS	INSIDE DIMENSIONS	VOLUME
L1	ROLL-UP	25" x 50 7/8"	31" x 60" x 27 1/4"	24.5 CU. FT.
L2	ROLL-UP	57" x 51 5/8"	61 1/2" x 30 3/4" x 27 1/4"	18.7 CU. FT.
L3	ROLL-UP	50" x 50 7/8"	53 1/2" x 60" x 27 1/4"	42.3 CU. FT.

COMP	DOORS	OPENING DIMENSIONS	INSIDE DIMENSIONS	VOLUME
R1	ROLL-UP	25" x 50 7/8"	31" x 60" x 27 1/4"	24.5 CU. FT.
R2	ROLL-UP	57" x 51 5/8"	61 1/2" x 30 3/4" x 27 1/4"	18.7 CU. FT.
R3	ROLL-UP	50" x 50 7/8"	53 1/2" x 60" x 27 1/4"	42.3 CU. FT.

COMP	DOORS	OPENING DIMENSIONS	INSIDE DIMENSIONS	VOLUME
A1	ROLL-UP	37 1/2" x 31"	40" x 46" x 30"	27 CU. FT.
				TOTAL: 200 CU. FT.



CUSTOMER APPROVAL

NAME: _____ TITLE: _____ DATE: _____

DIMENSIONS SHOWN ON THIS DRAWING ARE APPROXIMATE AND ARE SUBJECT TO MINOR DEVIATIONS DURING CONSTRUCTION. IN THE EVENT OF A DISCREPANCY BETWEEN THE SUTPHEN SPECIFICATIONS AND DRAWING, THE SUTPHEN SPECIFICATIONS SHALL PREVAIL. DRAWING IS FOR REFERENCE ONLY. SOME ITEMS PROPOSED MAY NOT BE SHOWN OR NOTED.

REV	DESCRIPTION	DATE	BY
A	REV-A SHOP ORDER	11/16/18	JM
B	UPDATED COMPONENT REPORT / UPDATE DRAWING REAR PRECONNECT LOCATIONS, REAR SUCTION THROUGH THE COMPARTMENT	02/14/19	MAC
C	REVERSE HINGE THE CAB EXTERIOR DOORS / OFFICERS SIDE EMS CABINET IS NOW DEALER PROVIDED	04/29/19	MAC
D	UPDATED COMPONENT REPORT	05/22/19	MAC

THIS PRINT IS PROVIDED ON A RESTRICTED BASIS AND IS NOT TO BE USED IN ANY WAY DETRIMENTAL TO THE INTEREST OF SUTPHEN CORPORATION.

DATE: 11/16/18
MFG FACILITY: DUBLIN
DATE: 08/28/18
DRAWN BY: J.MORGAN
DATE: 02/14/19

SUTPHEN
KENNEBUNK FIRE DEPARTMENT
KENNEBUNK, ME
CUSTOM PUMPER - PA-01 BODY
HS-6286