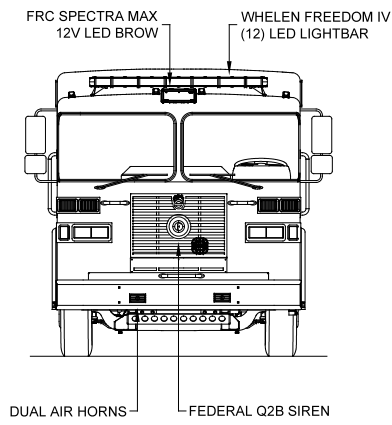
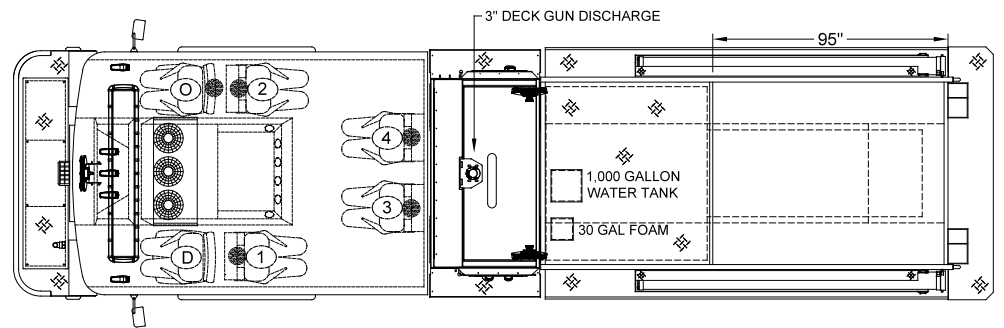


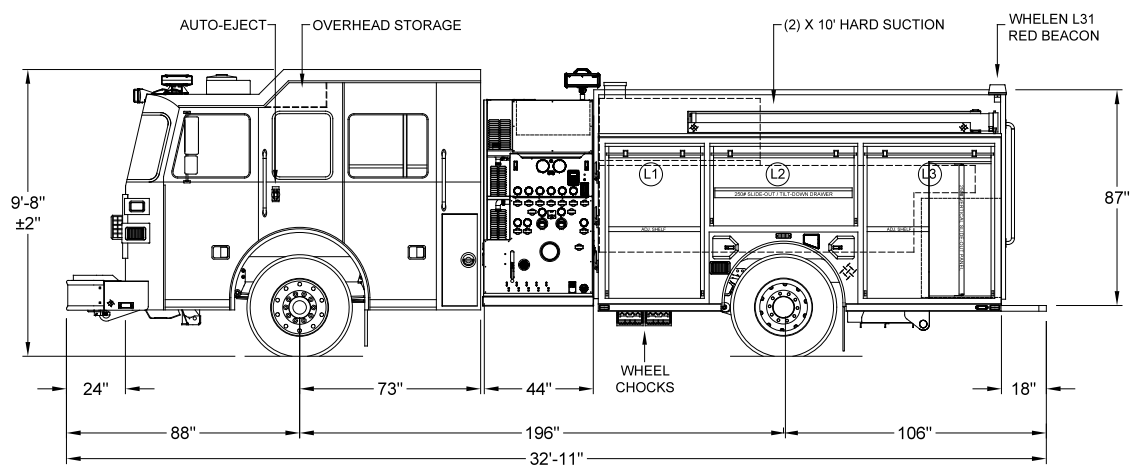
LEFT SIDE COMPARTMENTS				
COMPT	DOORS	OPENING DIMENSIONS	INSIDE DIMENSIONS	VOLUME
L1	ROLL-UP	35.5" w X 58.2" h	43.1" w X 66" h X 27.3" d	40.8 CU. FT. (10" h X 10.5" d UPPER)
L2	ROLL-UP	55.5" w X 29.0" h	61.6" w X 36.8" h X 27.3" d	29.8 CU. FT. (10" h X 10.5" d UPPER)
L3	ROLL-UP	48.5" w X 58.2" h	53.4" w X 66" h X 27.3" d	50.5 CU. FT. (10" h X 10.5" d UPPER)

RIGHT SIDE COMPARTMENTS				
COMPT	DOORS	OPENING DIMENSIONS	INSIDE DIMENSIONS	VOLUME
R1	ROLL-UP	35.5" w X 58.2" h	43.1" w X 66" h X 27.3" d	31.1 CU. FT. (33" h X 10.5" d UPPER)
R2	ROLL-UP	55.5" w X 29.0" h	61.6" w X 36.8" h X 10.5" d	13.8 CU. FT.
R3	ROLL-UP	48.5" w X 58.2" h	53.4" w X 66" h X 27.3" d	38.6 CU. FT. (33" h X 10.5" d UPPER)

REAR STEP COMPARTMENT				
COMPT	DOORS	OPENING DIMENSIONS	INSIDE DIMENSIONS	VOLUME
A1	ROLL-UP	37.5" w X 32.8" h	40" h X 40" w X 31" d	28.7 CU. FT.
				TOTAL: 233.3 CU.FT.



TWO-TONE CAB PAINT
PAINT BREAK OPTION #1
WHITE OVER RED



DIMENSIONS SHOWN ON THIS DRAWING ARE APPROXIMATE AND ARE SUBJECT TO MINOR DEVIATIONS DURING CONSTRUCTION.

IN THE EVENT OF A DISCREPANCY BETWEEN THE SUTPHEN SPECIFICATIONS AND DRAWING, THE SUTPHEN SPECIFICATIONS SHALL PREVAIL.

DRAWING IS FOR REFERENCE ONLY. SOME ITEMS PROPOSED MAY NOT BE SHOWN OR NOTED.

CUSTOMER APPROVAL

NAME: _____

TITLE: _____

DATE: _____

REV	DESCRIPTION	BY	DATE
D	COUPLE MINOR CLARIFICATIONS - SEE SO CHANGE SUMMARY OR SO REVISION EMAIL	RM	09/28/19
C	REMOVED RUNNING BOARD HOSE TROUGHS FROM DWG	RM	02/05/19
B	MULTIPLE UPDATES - SEE SO REVISION EMAIL	RM	08/29/18
A	REV-A SHOP ORDER	RM	07/13/18

DRAWN BY:
R MILLER

DATE:
07/12/18

MFG. FACILITY:
DUBLIN

DEMO 449 (OHIO VALLEY DEMO)
DUBLIN, OH

CUSTOM PUMPER - S2 BODY

DWG. NO.: HS-6285