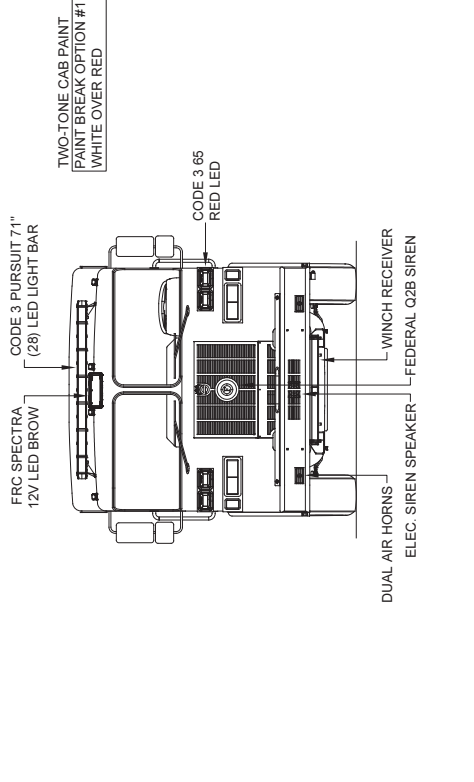
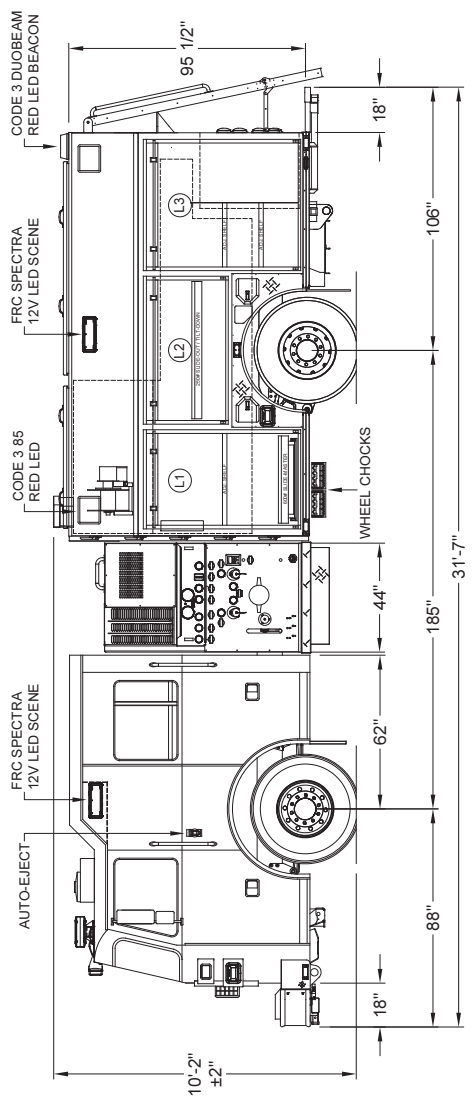


LEFT SIDE COMPARTMENTS		
COMP. DOORS	INSIDE DIMENSIONS	VOLUME
L1 ROLL-UP	35.5" W X 56.2" H	43.1" W X 66" H X 27.3" D
L2 ROLL-UP	55.5" W X 27.0" H	61.5" W X 38.8" H X 27.3" D
L3 ROLL-UP	48.5" W X 56.2" H	53.4" W X 66" H X 27.3" D
H1 LIFT-UP	19" W X 55.6" H X 87" L	161.8" W X 25.6" H X 21.8" D
TOTAL: 357.3 CU.FT.		

RIGHT SIDE COMPARTMENTS		
COMP. DOORS	INSIDE DIMENSIONS	VOLUME
R1 ROLL-UP	35.5" W X 56.2" H	43.1" W X 66" H X 27.3" D
R2 ROLL-UP	55.5" W X 27.0" H	61.5" W X 38.8" H X 27.3" D
R3 ROLL-UP	48.5" W X 56.2" H	53.4" W X 66" H X 27.3" D
H2 LIFT-UP	19" W X 55.6" H X 87" L	161.8" W X 25.6" H X 21.8" D
TOTAL: 357.3 CU.FT.		

REAR STEP COMPARTMENT		
COMP. DOORS	INSIDE DIMENSIONS	VOLUME
A1 ROLL-UP	37.5" W X 30.8" H	40" H X 40" W X 31" D
TOTAL: 357.3 CU.FT.		



SUTPHEN
FAIRBORN FIRE DEPARTMENT
FAIRBORN, OH
CUSTOM PUMPER - SG BODY
HS-6274

DRAWN BY: R. MILLER
DATE: 03/09/19
DATE: 07/20/18
MFG. FACILITY: DUBLIN
DATE: 05/29/18

POST-PRODUCTION REVISION TO REFLECT FINAL PRODUCT
REFERENCE PHOTOS NOW ADDED, MORE DISCHARGES ADDED TO LIST OF FOAM CAPABLE, DIMENSION FOR VERT DIV IN L3
REV-A SHOP ORDER

DESCRIPTION: CUSTOM PUMPER - SG BODY

THIS PRINT IS PROVIDED ON A RESTRICTED BASIS AND IS NOT TO BE USED IN ANY WAY DETRIMENTAL TO THE INTEREST OF SUTPHEN CORPORATION.

CUSTOMER APPROVAL

NAME: _____
TITLE: _____
DATE: _____

DIMENSIONS SHOWN ON THIS DRAWING ARE APPROXIMATE AND ARE SUBJECT TO MINOR DEVIATIONS DURING CONSTRUCTION.
IN THE EVENT OF A DISCREPANCY BETWEEN THE SUTPHEN SPECIFICATIONS AND DRAWING, THE SUTPHEN SPECIFICATIONS SHALL PREVAIL.
DRAWING IS FOR REFERENCE ONLY, SOME ITEMS PROPOSED MAY NOT BE SHOWN OR NOTED.