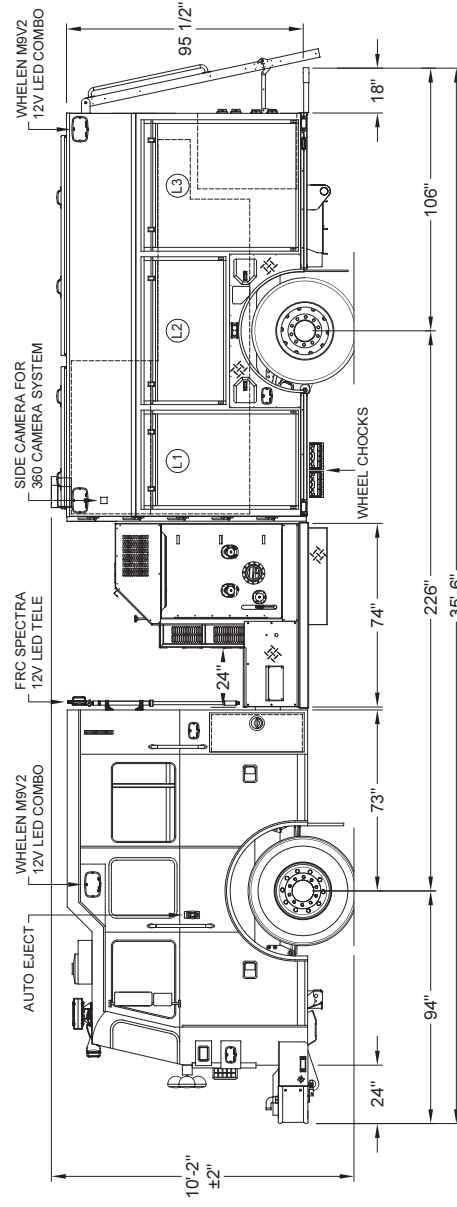
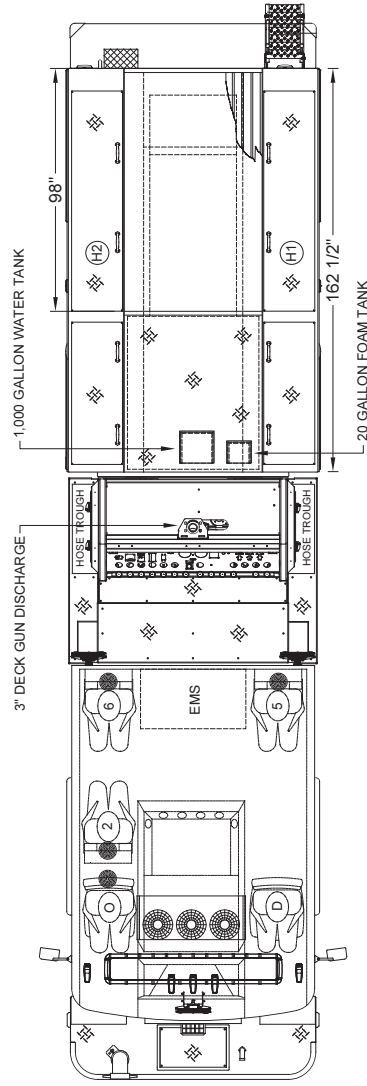
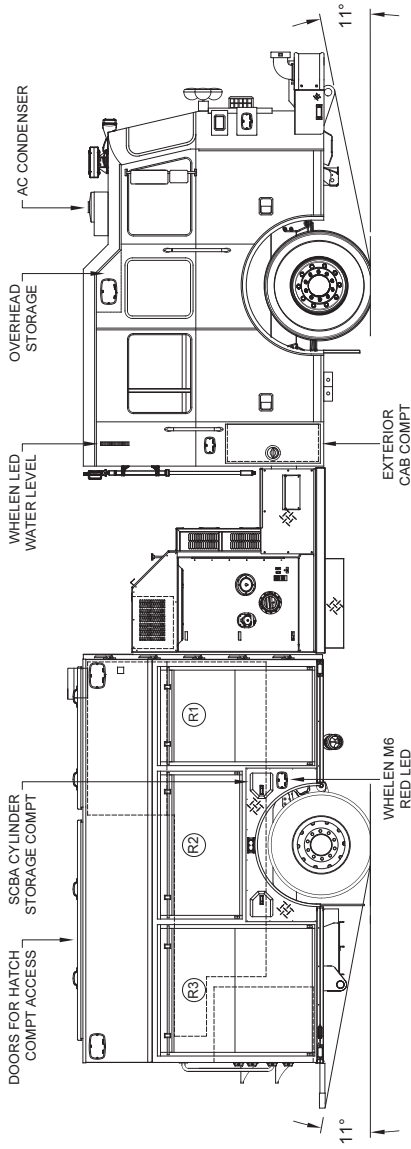
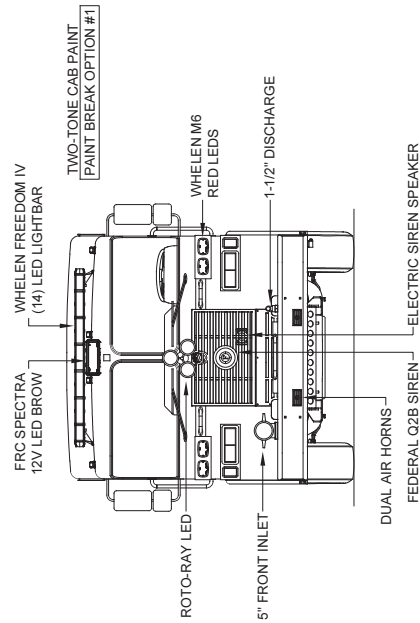


COMP	DOORS	OPENING DIMENSIONS	INSIDE DIMENSIONS	VOLUME
L1	ROLL-UP	35.5"W X 57.4"H	43.1"W X 66.7"H X 27.3"D	43.0 CU. FT.
	ROLL-UP	53.5"W X 28.2"H	61.6"W X 36.8"H X 27.3"D	33.0 CU. FT.
	ROLL-UP	46.5"W X 57.4"H	53.4"W X 66.7"H X 27.3"D	53.3 CU. FT.
	LIFT-UP	19"W X 55.817" (19"W X 87")	161.8"W X 25.617" X 21.6"D	52.2 CU. FT.
R1	ROLL-UP	33.5"W X 57.4"H	43.1"W X 66.7"H X 27.3"D	33.9 CU. FT.
	ROLL-UP	53.5"W X 28.2"H	61.6"W X 36.8"H X 16"D	19.0 CU. FT.
	ROLL-UP	46.5"W X 57.4"H	53.4"W X 66.7"H X 27.3"D	41.9 CU. FT.
	LIFT-UP	19"W X 55.817" (19"W X 87")	161.8"W X 25.617" X 21.6"D	52.2 CU. FT.
*R1 & R3 HAVE 61.6"W X 24.5"H X 16.0"D MIDDLE SECTIONS				
A1	DOORS	REAR STEP COMPARTMENT		
	ROLL-UP	37.5"W X 32.8"H	40"H X 40"W X 31"D	28.7 CU. FT.
				TOTAL: 357.3 CU. FT.



DIMENSIONS SHOWN ON THIS DRAWING ARE APPROXIMATE AND ARE SUBJECT TO MINOR DEVIATIONS DURING CONSTRUCTION.

IN THE EVENT OF A DISCREPANCY BETWEEN THE SUTPHEN SPECIFICATIONS AND DRAWING, THE SUTPHEN SPECIFICATIONS SHALL PREVAIL.

DRAWING IS FOR REFERENCE ONLY. SOME ITEMS PROPOSED MAY NOT BE SHOWN OR NOTED.

CUSTOMER APPROVAL

NAME: \_\_\_\_\_  
TITLE: \_\_\_\_\_  
DATE: \_\_\_\_\_

REV. A

REV. ORDER

DESCRIPTION

RM BY DATE

DATE

MFG. FACILITY: DUBLIN

DRW. BY: R. MILLER

THIS PRINT IS PROVIDED ON A RESTRICTED BASIS AND IS NOT TO BE USED IN ANY WAY DETRIMENTAL TO THE INTEREST OF SUTPHEN CORPORATION.

HS-6263

CUSTOM PUMPER - SE BODY

BERLIN TOWNSHIP FIRE DEPARTMENT  
BERLIN CENTER, OH

SUTPHEN