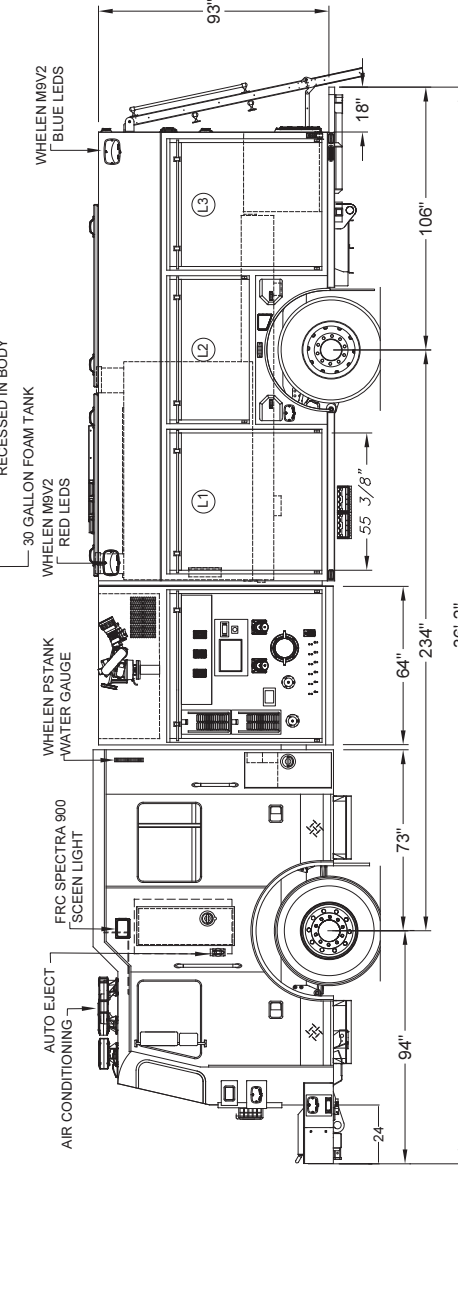
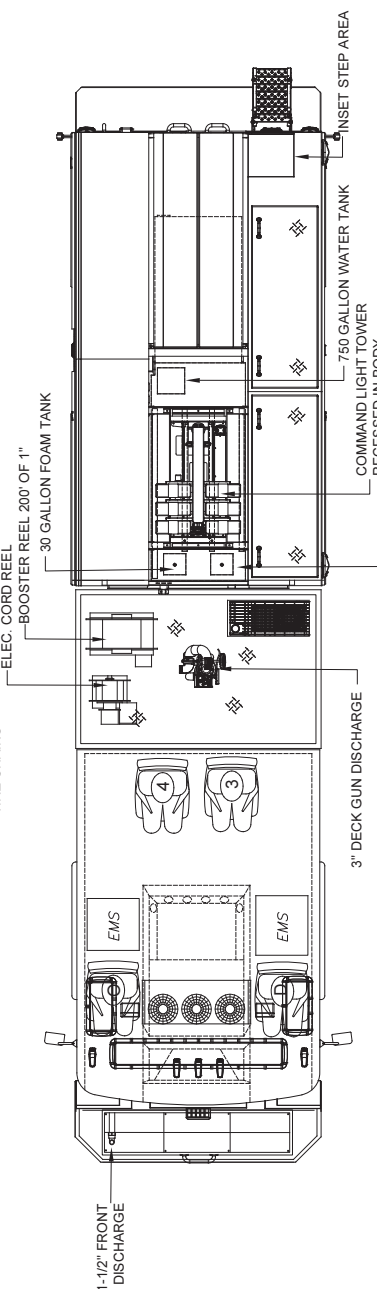
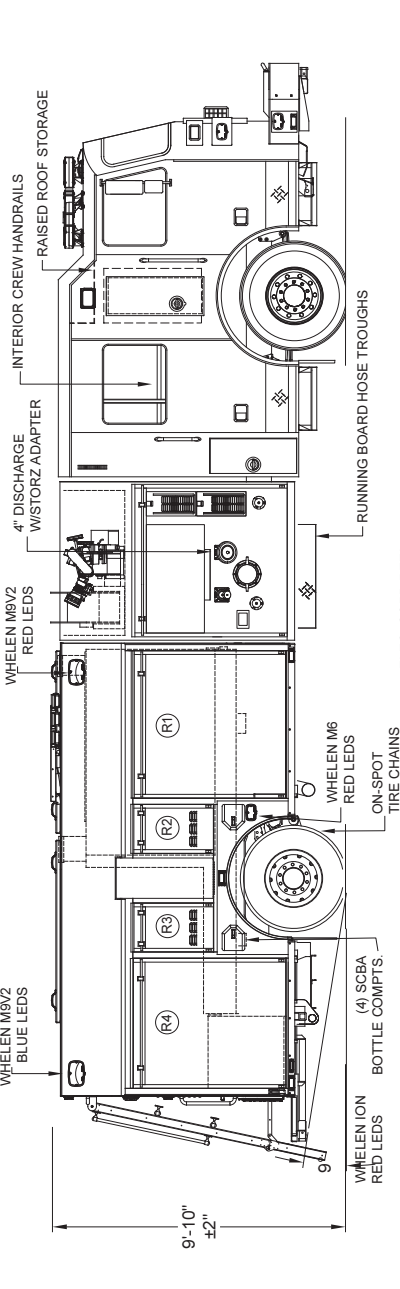
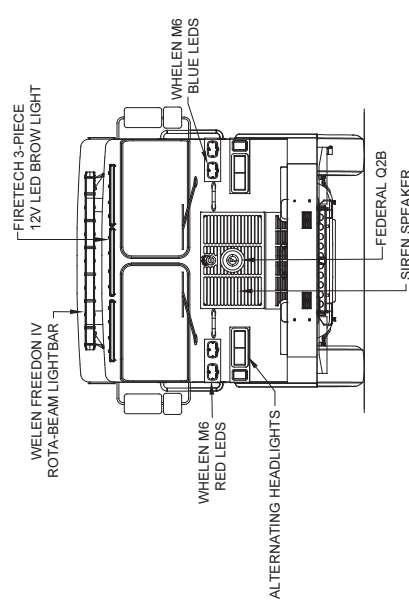


COMPT	DOORS	OPENING DIMENSIONS	INSIDE DIMENSIONS	VOLUME
L1	ROLLUP	57"W X 57.3"H	63.1"W X 66.7"H X 28.1"D	65.8 CU. FT.
L3	ROLLUP	57"W X 28.1"H	61.6"W X 36.8"H X 28.1"D	29.8 CU. FT.
L4	ROLLUP	50"W X 57.3"H	53.1"W X 66.7"H X 28.1"D	55.7 CU. FT.
H1	UFTUP	(2) 25.4" X 72" W	180"W X 23.6"H X 29.3"D	75.4 CU. FT.

COMPT	DOORS	OPENING DIMENSIONS	INSIDE DIMENSIONS	VOLUME
R1	ROLLUP	57"W X 57.3"H	63.1"W X 66.7"H X 28.1"D	65.8 CU. FT.
R2	ROLLUP	17.3"W X 28.1"H	21.8"W X 36.8"H X 28.1"D	14.8 CU. FT.
R3	ROLLUP	17.3"W X 28.1"H	21.8"W X 36.8"H X 28.1"D	14.8 CU. FT.
R4	ROLLUP	50.5"W X 57.3"H	53.1"W X 66.7"H X 28.1"D	55.7 CU. FT.

COMPT	DOORS	OPENING DIMENSIONS	INSIDE DIMENSIONS	VOLUME
P1	HINGED	58.5"W X 55.1"H	62.5"H X 62.5"W	

COMPT	DOORS	OPENING DIMENSIONS	INSIDE DIMENSIONS	VOLUME
A1	ROLLUP	37.9"W X 23.8"H	40"W X 31.9"H X 21"D	28.3 CU. FT.
				TOTAL: 418.4 CU. FT.



CUSTOMER APPROVAL

NAME: _____

TITLE: _____

DATE: _____

SUTPHEN

PATTONVILLE FIRE PROTECTION DISTRICT

PATTONVILLE, MO

CUSTOM PUMPER - PA-16 BODY

HS-6228

REV	DESCRIPTION	BY	DATE	MIC	DATE	MIC	DATE
E	REVISED DRAWING WITH UPDATED BODY CHANGE / UPDATED NEW WATER TANK / UPDATED COMPONENT REPORT			MIC	12/20/19	MIC	9/25/18
D	CHANGED PUMP CONTROLS TO S.A.M. AUTOMATED SYSTEM			MIC	8/21/18	MIC	05/05/17
C	FRONT BUMPER DISCHARGE / COMPONENT REPORT UPDATED			MIC	8/7/18	MIC	8/7/18
B	CHANGED CROSSLAYS TO DOUBLE STACK / FRONT BUMPER / COMPONENT REPORT UPDATED			MIC	8/7/18	MIC	8/7/18
A	DESCRIPTION			MIC	8/7/18	MIC	8/7/18

THIS PRINT IS PROVIDED ON A RESTRICTED BASIS AND IS NOT TO BE USED IN ANY WAY DETRIMENTAL TO THE INTEREST OF SUTPHEN CORPORATION.