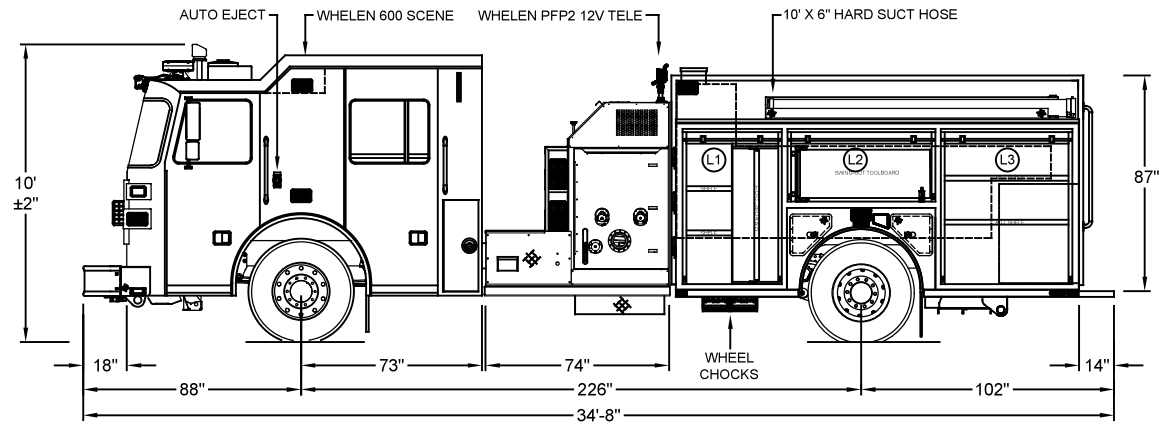
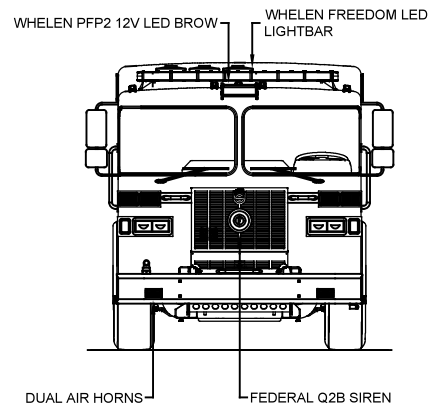
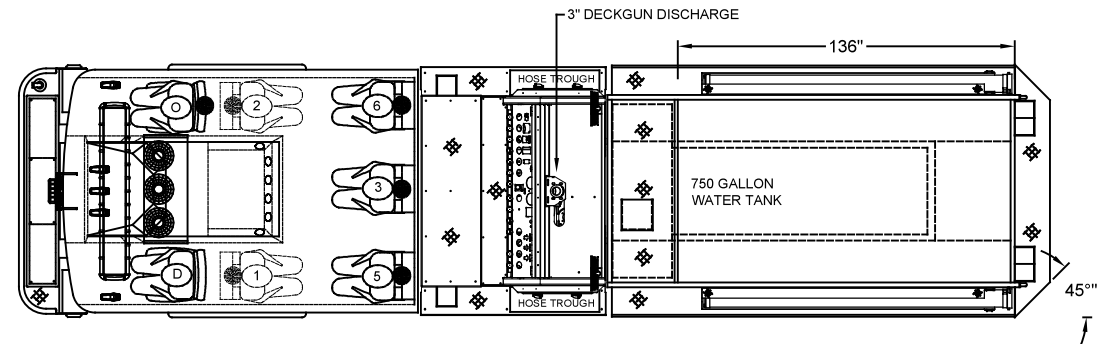


| LEFT SIDE COMPARTMENTATION | | | | |
|-----------------------------|---------|--------------------|---|------------|
| COMPT | DOORS | OPENING DIMENSIONS | INSIDE DIMENSIONS | VOLUME |
| L1 | ROLL-UP | 37" w X 56 7/8" h | 43" w X 66" h X 27 1/4" d | 40 CU. FT. |
| L2 | ROLL-UP | 57" w X 27 5/8" h | 61 1/2" w X 36 1/2" h X 27 1/4" d | 30 CU. FT. |
| L3 | ROLL-UP | 50" w X 56 7/8" h | 56" w X 66" h X 27 1/4" d | 52 CU. FT. |
| RIGHT SIDE COMPARTMENTATION | | | | |
| COMPT | DOORS | OPENING DIMENSIONS | INSIDE DIMENSIONS | VOLUME |
| R1 | ROLL-UP | 37" w X 56 7/8" h | 43" w X 66" h X 27 1/4" d (10 1/2" d upper) | 26 CU. FT. |
| R2 | ROLL-UP | 57" w X 27 5/8" h | 61 1/2" w X 36 1/2" h X 10 1/2" d | 13 CU. FT. |
| R3 | ROLL-UP | 50" w X 56 7/8" h | 56" w X 66" h X 27 1/4" d (10 1/2" d upper) | 34 CU. FT. |
| REAR STEP COMPARTMENTS | | | | |
| COMPT | DOORS | OPENING DIMENSIONS | INSIDE DIMENSIONS | VOLUME |
| AT | ROLL-UP | 37 1/2" w X 31" h | 40" h X 40" w X 29 1/2" d | 27 CU. FT. |

TOTAL: 222 CU.FT.



DIMENSIONS SHOWN ON THIS DRAWING ARE APPROXIMATE AND ARE SUBJECT TO MINOR DEVIATIONS DURING CONSTRUCTION.

IN THE EVENT OF A DISCREPANCY BETWEEN THE SUTPHEN SPECIFICATIONS AND DRAWING, THE SUTPHEN SPECIFICATIONS SHALL PREVAIL.

DRAWING IS FOR REFERENCE ONLY. SOME ITEMS PROPOSED MAY NOT BE SHOWN OR NOTED.

CUSTOMER APPROVAL

NAME: _____

TITLE: _____

DATE: _____

| REV | DESCRIPTION | BY | DATE |
|-----|----------------------|----|----------|
| C | REMOVE DUNNAGE HOLES | JM | 08/27/18 |
| B | AC VENT | JM | 04/10/18 |
| A | REV-A SHOP ORDER | JM | 03/12/18 |

DRAWN BY: J. MORGAN

DATE: 02/14/18

MFG. FACILITY: DUBLIN

SUTPHEN

FIRE DEPARTMENT
PALM BAY, FL

CUSTOM PUMPER - S2 BODY

DWG. NO.: HS-6220