

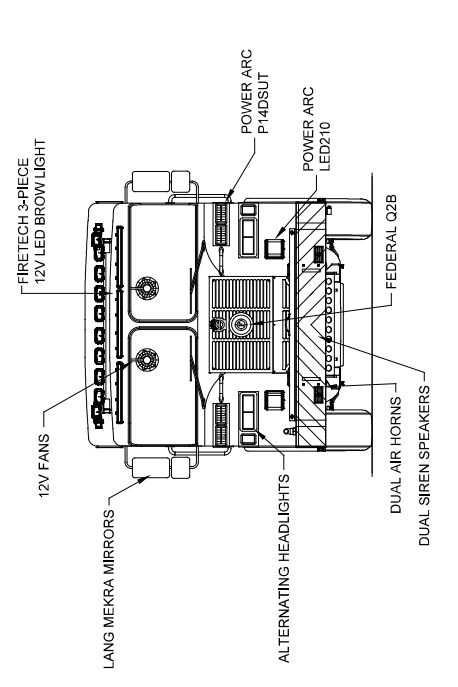
MOUNTED TOWARDS BACK OF COMPARTMENT

COMPT	DOORS	OPENING DIMENSIONS	INSIDE DIMENSIONS	VOLUME
L1	ROLL-UP	50.5"W X 57.4"H	56.1"W X 66.5"H X 27.3"D	58.5 CU.FT.
L2	ROLL-UP	57.5"W X 28.7"H	61.6"W X 38.8"H X 27.3"D	35.8 CU.FT.
L3	ROLL-UP	50.5"W X 57.4"H	56.5"W X 66.5"H X 27.3"D	58.9 CU.FT.
H1	LIFT-UP	(2) 23.25" X 53.25"W	174.7"W X 26.6"H X 26.2"D	78.1 CU.FT.

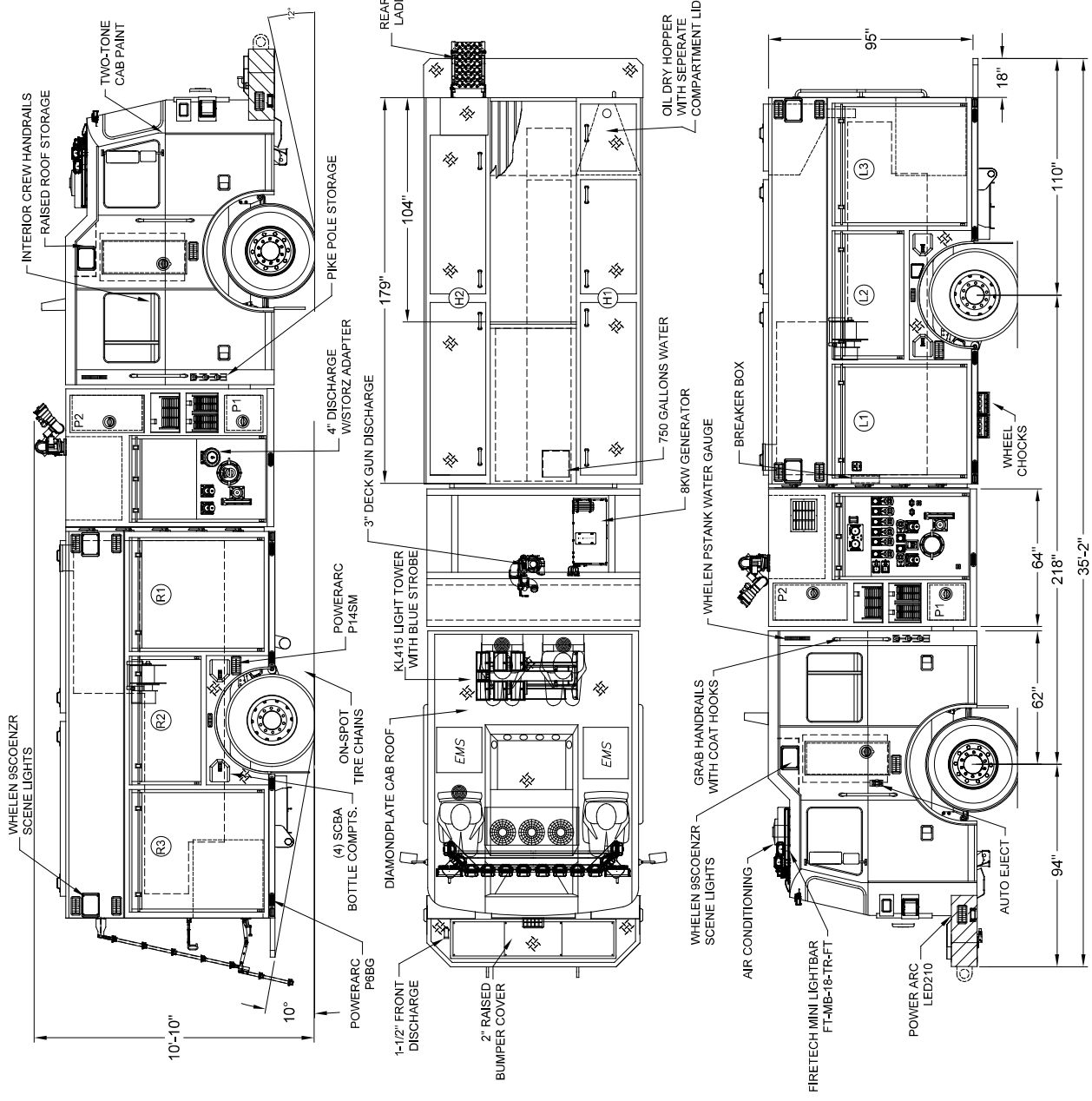
  

COMPT	DOORS	OPENING DIMENSIONS	INSIDE DIMENSIONS	VOLUME
R1	ROLL-UP	50.5"W X 57.4"H	56.1"W X 66.5"H X 27.3"D	58.5 CU.FT.
R2	ROLL-UP	57.5"W X 28.7"H	61.6"W X 38.8"H X 27.3"D	35.8 CU.FT.
R3	ROLL-UP	50.5"W X 57.4"H	56.5"W X 66.5"H X 27.3"D	58.9 CU.FT.
H2	LIFT-UP	(2) 23.25" X 53.25"W	174.7"W X 26.6"H X 26.2"D	78.1 CU.FT.

COMPT	DOORS	OPENING DIMENSIONS	INSIDE DIMENSIONS	VOLUME
A1	ROLL-UP	37.5"W X 25.8"H	32.8"W X 40"W X 31"D	23.5 CU.FT.
				TOTAL: 490.2 CU.FT.



REAR STEP COMPARTMENT



35'-2"

**CUSTOMER APPROVAL**

NAME: \_\_\_\_\_ TITLE: \_\_\_\_\_ DATE: \_\_\_\_\_

DIMENSIONS SHOWN ON THIS DRAWING ARE APPROXIMATE AND ARE SUBJECT TO MINOR DEVIATIONS DURING CONSTRUCTION.

IN THE EVENT OF A DISCREPANCY BETWEEN THE SUTPHEN SPECIFICATIONS AND DRAWING, THE SUTPHEN SPECIFICATIONS SHALL PREVAIL. DRAWINGS FOR REFERENCE ONLY. SOME ITEMS PROPOSED MAY NOT BE SHOWN OR NOTED.

REV.	DESCRIPTION	DATE	BY
C	COMPONENT REPORT UPDATED	04/23/18	MJC
B	COMPONENT REPORT UPDATED	01/26/18	MJC
A	AFTER PRECON		

THIS PRINT IS PROVIDED ON A RESTRICTED BASIS AND IS NOT TO BE USED IN ANY WAY DETRIMENTAL TO THE INTEREST OF SUTPHEN CORPORATION.

DRAWN BY: M. CLARK  
DATE: 04/23/18  
MFG. FACILITY: DUBLIN  
DESIGN NO.: HS-6154

**SUTPHEN**  
COMMUNITY FIRE PROTECTION DISTRICT  
MARLOWE OVERLAND, MO  
CUSTOM PUMPER - PA-16 BODY