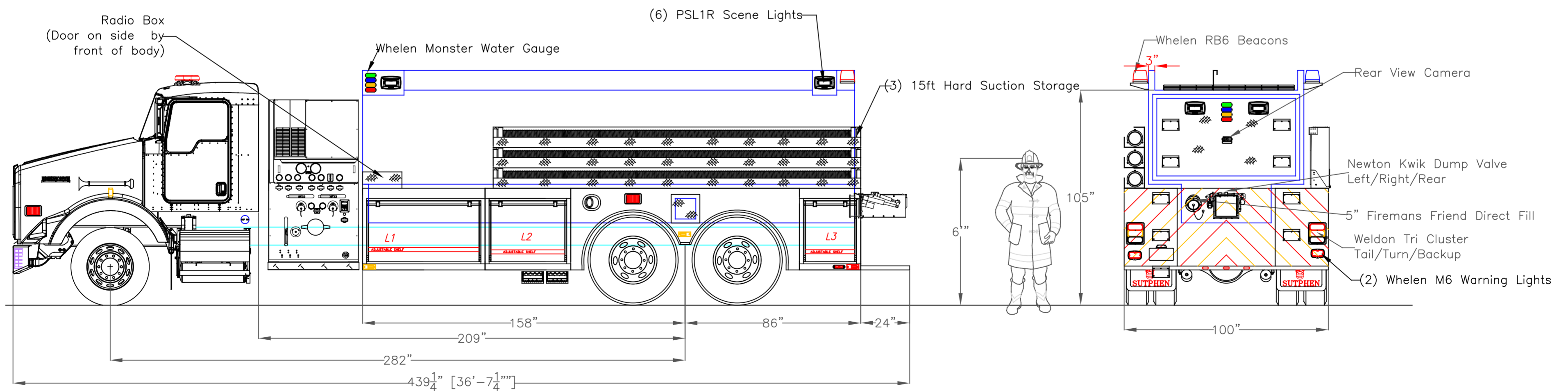


Left Side Compartmentation				
Compt	Doors	Opening Dimensions	Inside Dimensions	Volume
L1	Roll Up	53x26	60x36x26	32.5 CU FT
L2	Roll Up	35x26	42x36x26	22.75 CU FT
L3	Roll Up	23x26	30x36x26	16.25 CU FT
Right Side Compartmentation				
Compt	Doors	Opening Dimensions	Inside Dimensions	Volume
R1	Roll Up	53x26	60x36x26	32.5 CU FT
R2	Roll Up	35x26	42x36x26	22.75 CU FT
R3	Roll Up	23x26	30x36x26	16.25 CU FT
Total Volume				143 CU Ft

Hale QFlo 1250 GPM Pump
4000 Gal Water Tank



DIMENSIONS SHOWN ON THIS DRAWING ARE APPROXIMATE AND ARE SUBJECT TO MINOR DEVIATIONS DURING CONSTRUCTION. IN THE EVENT OF A DISCREPANCY BETWEEN THE SUTPHEN SPECIFICATIONS AND DRAWING, THE SUTPHEN SPECIFICATIONS SHALL PREVAIL. DRAWING IS FOR REFERENCE ONLY. SOME ITEMS PROPOSED MAY NOT BE SHOWN OR NOTED.	CUSTOMER APPROVAL					DRAWN BY: S. Dorfman	SUTPHEN EAST 55 INNOVATION DRIVE LAKE ARIEL, PA 18436 1-844-776-2889 Colts Neck Fire Department Colts Neck, NJ Commercial Wetside Tanker HS 6150	
	NAME:					DATE:		10/18/2017
	TITLE:							MFG. FACILITY:
	DATE:		REV.	DESCRIPTION	BY	DATE	DWG. NO.:	
THIS PRINT IS PROVIDED ON A RESTRICTED BASIS AND IS NOT TO BE USED IN ANY WAY DETRIMENTAL TO THE INTEREST OF SUTPHEN CORPORATION.								