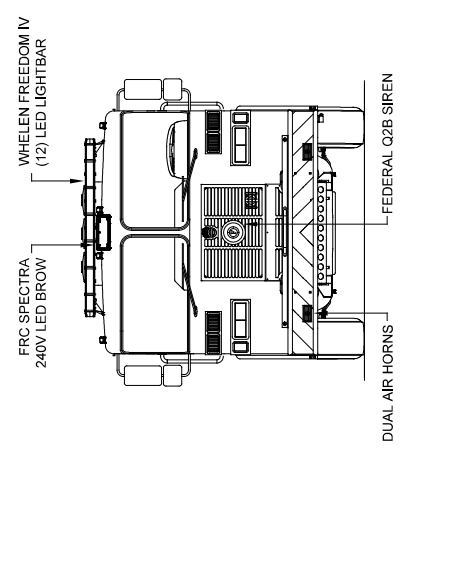


COMPT	DOORS	OPENING DIMENSIONS	INSIDE DIMENSIONS	VOLUME
L1	SINGLE	37"W X 59.78"H	43"W X 66"H X 27.14"D	40 CU. FT.
L2	LEFT/UP	57"W X 27.58"H	61.12"W X 36.12"H X 27.14"D	30 CU. FT.
L3	DOUBLE	50"W X 59.78"H	53.12"W X 66"H X 27.14"D	55 CU. FT.

COMPT	DOORS	OPENING DIMENSIONS	INSIDE DIMENSIONS	VOLUME
R1	SINGLE	37"W X 59.78"H	43"W X 66"H X 27.14"D	36 CU. FT.
R2	DOUBLE	57"W X 27.58"H	61.12"W X 36.12"H X 19.12"D	43 CU. FT.
R3	DOUBLE	50"W X 59.78"H	53.12"W X 66"H X 27.14"D	43 CU. FT.

COMPT	DOORS	OPENING DIMENSIONS	INSIDE DIMENSIONS	VOLUME
AT	ROLL-UP	37.12"W X 31"H	40"H X 40"W X 30.12"D	27 CU. FT.

TOTAL STORAGE: 234 cu. ft.



SUTPHEN
BURLINGTON FIRE DEPARTMENT
BURLINGTON, NC
CUSTOM PUMPER - PA-12 BODY
HS-6135

DRAWN BY: R. MILLER
DATE: 06/07/18
MFG. FACILITY: DUBLIN

10/04/18
06/07/18
06/05/18
05/31/18

RM
RM
RM
BY

1000418
060718
060518
053118

FULL-DEPTH ADJUSTABLE SHELF ADDED TO R1 (TO MATCH PREVIOUS TRUCKS. ADDED AT FINAL ON HS-6834-35)
POST-PRODUCTION REVISION TO REFLECT FINAL PRODUCT
FOAM SYSTEM WILL BE SINGLE CLASS B FOAM ONLY
BREAKER PANEL WILL BE 18 POSITION / CORRECT MODEL # ADDED FOR TFT INTAKE PRESSURE - CHROME LUG NUT CAPS ADDED

DESCRIPTION: CHROME LUG NUT CAPS ADDED

THIS PRINT IS PROVIDED ON A RESTRICTED BASIS AND IS NOT TO BE USED IN ANY WAY DETRIMENTAL TO THE INTEREST OF SUTPHEN CORPORATION.

CUSTOMER APPROVAL

NAME: _____
TITLE: _____
DATE: _____

DIMENSIONS SHOWN ON THIS DRAWING ARE APPROXIMATE AND ARE SUBJECT TO MINOR DEVIATIONS DURING CONSTRUCTION.
IN THE EVENT OF A DISCREPANCY BETWEEN THE SUTPHEN SPECIFICATIONS AND DRAWING, THE SUTPHEN SPECIFICATIONS SHALL PREVAIL.
DRAWINGS FOR REFERENCE ONLY. SOME ITEMS PROPOSED MAY NOT BE SHOWN OR NOTED.