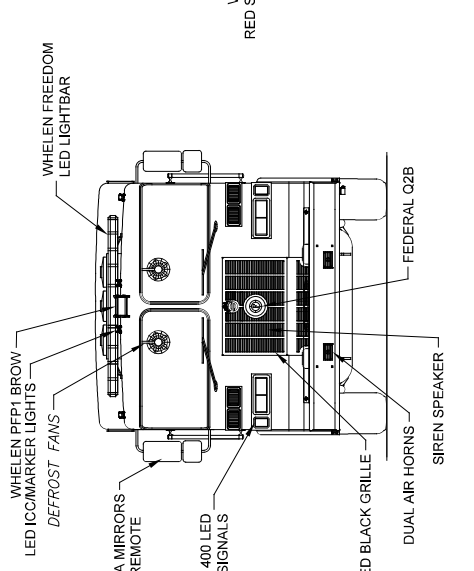


LEFT SIDE COMPARTMENTS		
COMPT	DOORS	INSIDE DIMENSIONS
L1	ROLL-UP	56 1/2" W X 66" H X 27 1/4" D (10 1/2" D upper)
L2	ROLL-UP	57" W X 56 7/8" H
L3	ROLL-UP	57" W X 27 5/8" H
L4	ROLL-UP	37" W X 56 7/8" H

RIGHT SIDE COMPARTMENTS		
COMPT	DOORS	INSIDE DIMENSIONS
R1	ROLL-UP	40 1/2" W X 66" H X 27 1/4" D (16.5" D upper)
R4	ROLL-UP	40 1/2" W X 33" H X 27 1/4" D

REAR STEP COMPARTMENT		
COMPT	DOORS	INSIDE DIMENSIONS
A1	Hinged	40" W X 16" H X 10" D

TOTAL: 153.8 CU.FT.



SUTPHEN
WATERVLIET FIRE DEPARTMENT
WATERVLIET, MI

CUSTOM TANKER
HS-6128
DWG. NO.

REV.	DATE	DESCRIPTION	BY
A		AFTER SHOP ORDER REVIEW	DUBIN
B		AFTER SHOP ORDER REVIEW	DUBIN
C		COMPONENT REPORT UPDATED AND HIGHLIGHTS FINAL MEMBER BODY STEP	DUBIN

The undersigned approves this data for construction in accordance with any changes as indicated on these drawings.

APPROVED BY: _____ DATE: _____
(Authorized Fire Dept. Representative)

SALES REPRESENTATIVE: _____ DATE: _____

THE INFORMATION PRESENTED ON THIS DOCUMENT IS TO BE USED FOR ILLUSTRATIVE PURPOSES ONLY AND IT MAY NOT REFLECT AESTHETICALLY OR OTHERWISE, PAST OR PRESENT MANUFACTURED PRODUCTS. SUTPHEN CORPORATION RESERVES THE RIGHT TO MAKE CHANGES IN THE DESIGN OF OUR PRODUCTS AT ANY TIME, WITHOUT NOTIFICATION.