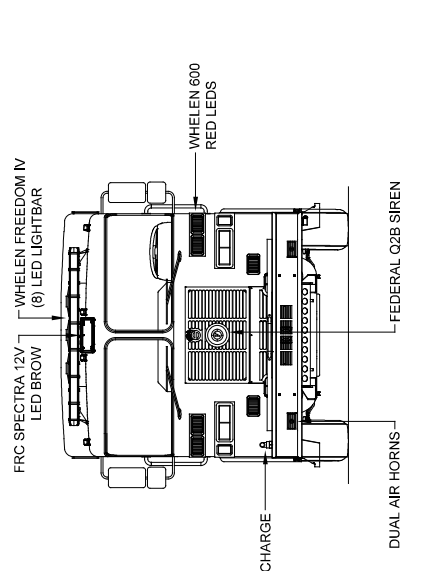
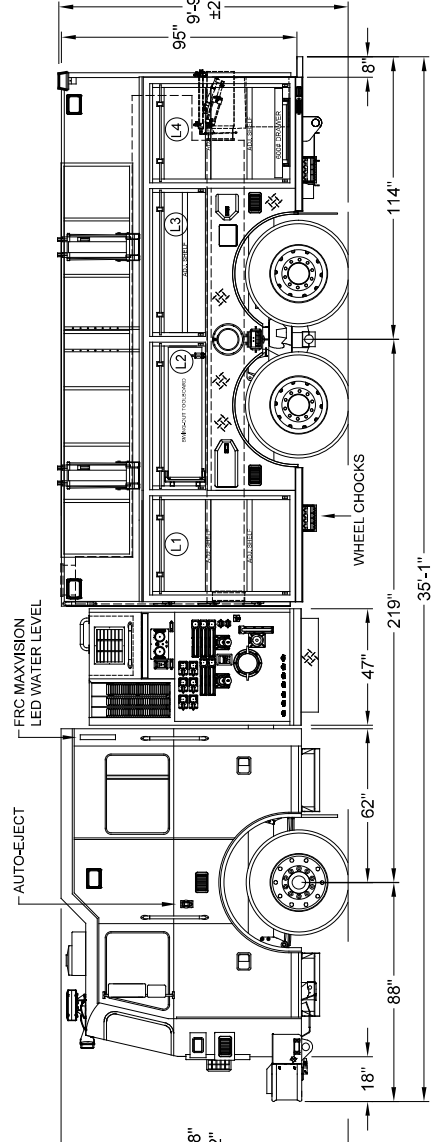


LEFT SIDE COMPARTMENTS			
COMP	DOORS	INSIDE DIMENSIONS	VOLUME
L1	ROLL-UP	45"W X 60"H X 27" (10 1/2" upper)	30 CU. FT.
L2	ROLL-UP	37"W X 56" (78")	8.1 CU. FT.
L3	ROLL-UP	57"W X 16" (56")	8.1 CU. FT.
L4	ROLL-UP	57"W X 16" (56")	8.1 CU. FT.
33% lower compartment area			
RIGHT SIDE COMPARTMENTS			
COMP	DOORS	INSIDE DIMENSIONS	VOLUME
R1	ROLL-UP	45"W X 60"H X 27" (14" upper)	30 CU. FT.
R2	ROLL-UP	37"W X 56" (78")	8.1 CU. FT.
R3	ROLL-UP	57"W X 16" (56")	8.1 CU. FT.
R4	ROLL-UP	57"W X 16" (56")	8.1 CU. FT.
33% lower compartment area			
REAR STEP COMPARTMENT			
COMP	DOORS	INSIDE DIMENSIONS	VOLUME
A1	HINGED	41"W X 18"	7.3 CU. FT.
			TOTAL: 155.1 CU. FT.



REAR STEP COMPARTMENT			
COMP	DOORS	INSIDE DIMENSIONS	VOLUME
A1	HINGED	41"W X 18"	7.3 CU. FT.
			TOTAL: 155.1 CU. FT.

SUTPHEN
OXFORD FIRE DEPARTMENT
OXFORD, OH

CUSTOM PUMPERTANKER - CUSTOM BODY

REV. NO. HS-6121

REV.	DESCRIPTION	DATE	BY
F	POST-PRODUCTION REVISION TO REFLECT FINAL PRODUCT	10/05/18	RM
E	ELECTRONIC TELESCOPING EXTENSION FOR REAR DUMP CHUTE	08/30/18	RM
D	ALL GRAPHICS EXCEPT FOR REAR CHEVRONS MOVED TO DEALER SUPPLIED	07/26/18	RM
C	CLARIFICATIONS MADE REGARDING REAR DUMP AND CHUTE - CORRECTION MADE TO GENERATOR CALL-OUT	09/18/17	RM
		05/08/18	BY

REV.	DESCRIPTION	DATE	BY
F	POST-PRODUCTION REVISION TO REFLECT FINAL PRODUCT	10/05/18	RM
E	ELECTRONIC TELESCOPING EXTENSION FOR REAR DUMP CHUTE	08/30/18	RM
D	ALL GRAPHICS EXCEPT FOR REAR CHEVRONS MOVED TO DEALER SUPPLIED	07/26/18	RM
C	CLARIFICATIONS MADE REGARDING REAR DUMP AND CHUTE - CORRECTION MADE TO GENERATOR CALL-OUT	09/18/17	RM
		05/08/18	BY

DIMENSIONS SHOWN ON THIS DRAWING ARE APPROXIMATE AND ARE SUBJECT TO MINOR DEVIATIONS DURING CONSTRUCTION.

IN THE EVENT OF A DISCREPANCY BETWEEN THE SUTPHEN SPECIFICATIONS AND DRAWING, THE SUTPHEN SPECIFICATIONS SHALL PREVAIL.

DRAWINGS FOR REFERENCE ONLY. SOME ITEMS PROPOSED MAY NOT BE SHOWN OR NOTED.

CUSTOMER APPROVAL

NAME: _____

TITLE: _____

DATE: _____