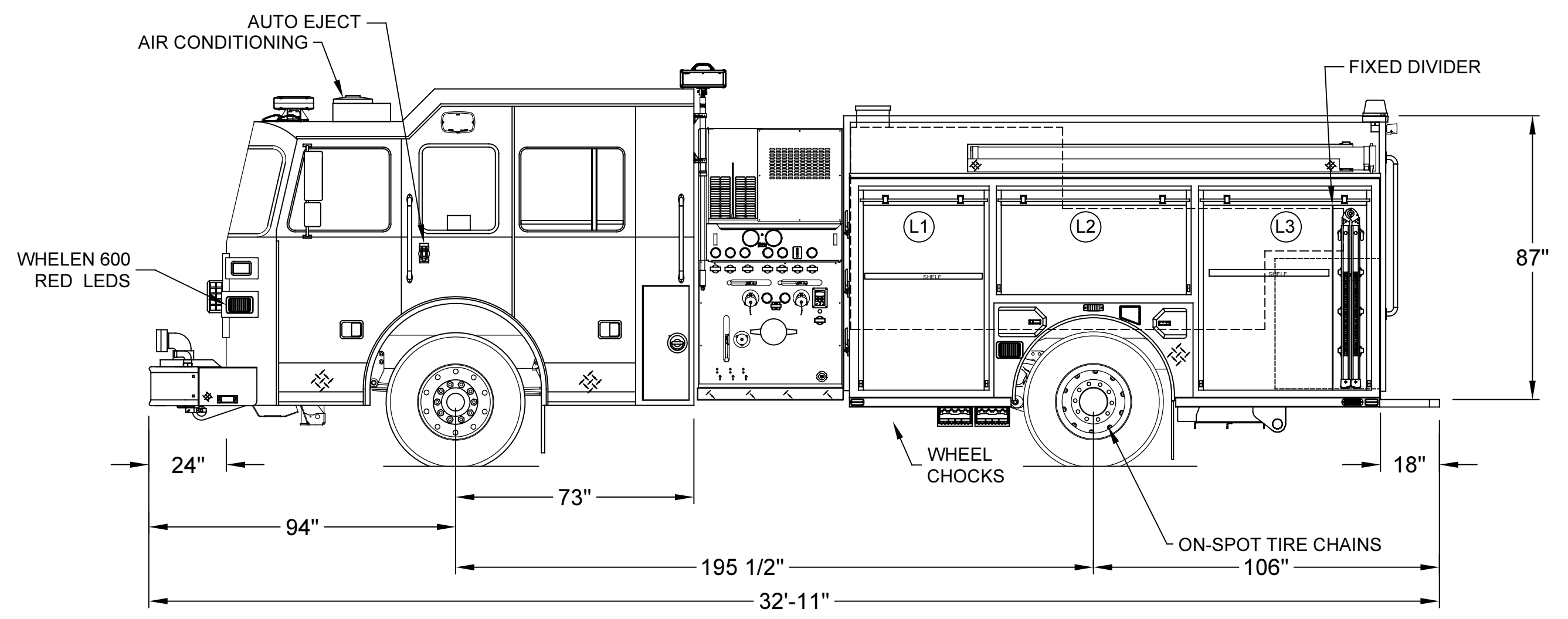
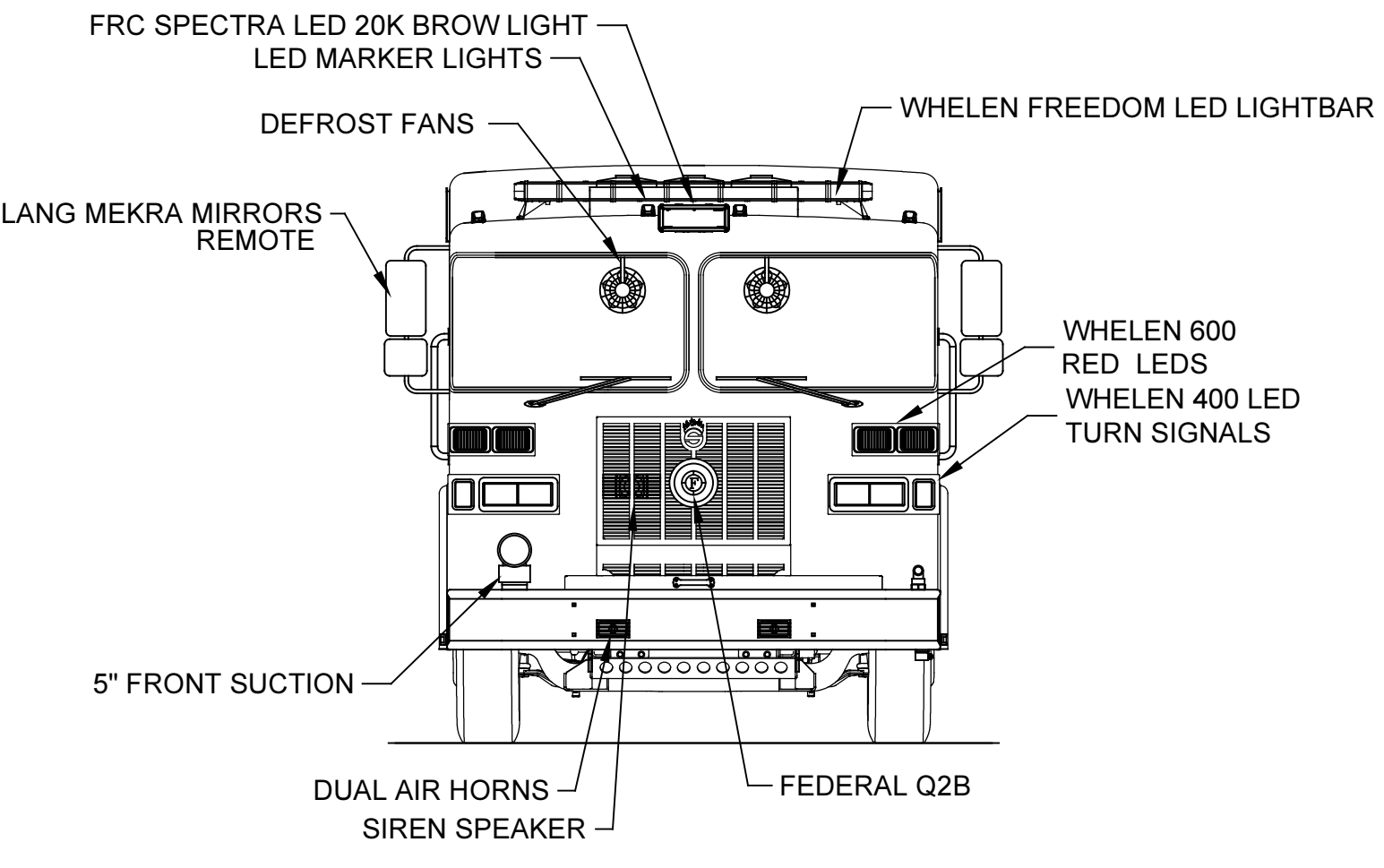
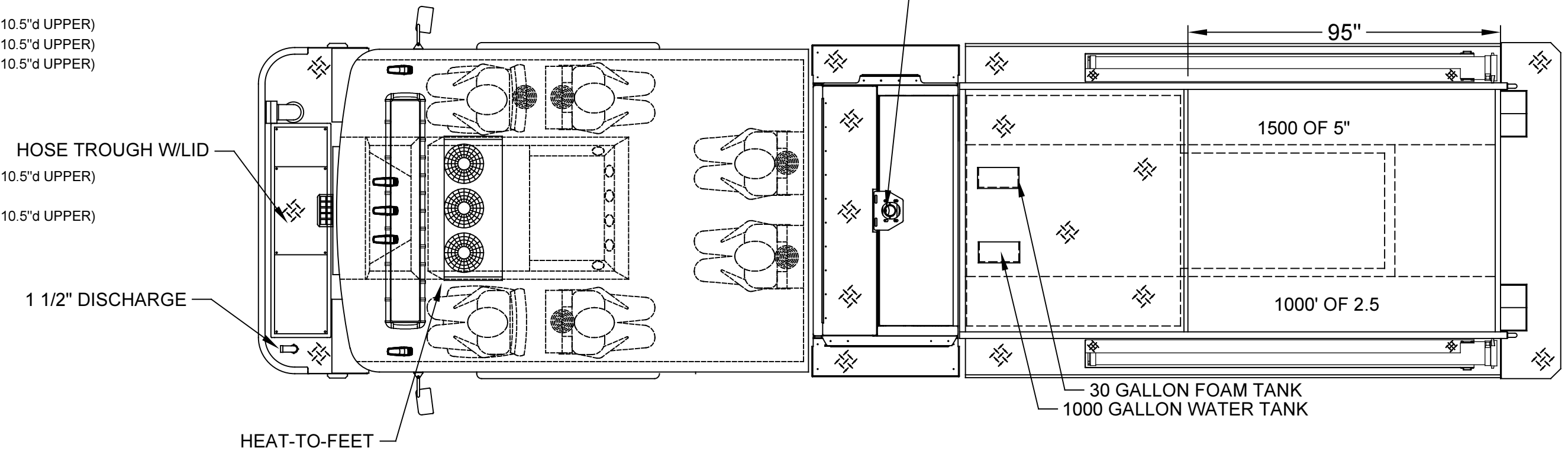


LEFT SIDE COMPARTMENTS				
COMPT	DOORS	OPENING DIMENSIONS	INSIDE DIMENSIONS	VOLUME
L1	ROLL-UP	33.5" w X 55.4" h	43.1" w X 66" h X 27.3" d	40.8 CU. FT. (10" h X 10.5" d UPPER)
L2	ROLL-UP	53.5" w X 26.2" h	61.6" w X 36.8" h X 27.3" d	29.8 CU. FT. (10" h X 10.5" d UPPER)
L3	ROLL-UP	46.5" w X 55.4" h	53.4" w X 66" h X 27.3" d	50.5 CU. FT. (10" h X 10.5" d UPPER)

RIGHT SIDE COMPARTMENTS				
COMPT	DOORS	OPENING DIMENSIONS	INSIDE DIMENSIONS	VOLUME
R1	ROLL-UP	33.5" w X 55.4" h	43.1" w X 66" h X 27.3" d	31.1 CU. FT. (33" h X 10.5" d UPPER)
R2	ROLL-UP	53.5" w X 26.2" h	61.6" w X 36.8" h X 10.5" d	13.8 CU. FT.
R3	ROLL-UP	46.5" w X 55.4" h	53.4" w X 66" h X 27.3" d	38.6 CU. FT. (33" h X 10.5" d UPPER)

REAR STEP COMPARTMENT				
COMPT	DOORS	OPENING DIMENSIONS	INSIDE DIMENSIONS	VOLUME
A1	ROLL-UP	37.5" w X 30.8" h	40" h X 40" w X 31" d	28.7 CU. FT.
<b>TOTAL:</b>				<b>233.3 CU.FT.</b>



DIMENSIONS SHOWN ON THIS DRAWING ARE APPROXIMATE AND ARE SUBJECT TO MINOR DEVIATIONS DURING CONSTRUCTION.

IN THE EVENT OF A DISCREPANCY BETWEEN THE SUTPHEN SPECIFICATIONS AND DRAWING, THE SUTPHEN SPECIFICATIONS SHALL PREVAIL.

DRAWING IS FOR REFERENCE ONLY. SOME ITEMS PROPOSED MAY NOT BE SHOWN OR NOTED.

**CUSTOMER APPROVAL**

NAME: \_\_\_\_\_

TITLE: \_\_\_\_\_

DATE: \_\_\_\_\_

REV.	DESCRIPTION	BY	DATE

THIS PRINT IS PROVIDED ON A RESTRICTED BASIS AND IS NOT TO BE USED IN ANY WAY DETRIMENTAL TO THE INTEREST OF SUTPHEN CORPORATION.

DRAWN BY:  
FAULKNER

DATE:  
5/15/17

MFG. FACILITY:  
DUBLIN

**HS-6076 DEMO 436 (NORTHEAST DEMO)  
DUBLIN, OHIO**

CUSTOM PUMPER - S2 BODY (STAINLESS BODY AND SUBFRAME)  
DWG. NO.: HS-6076