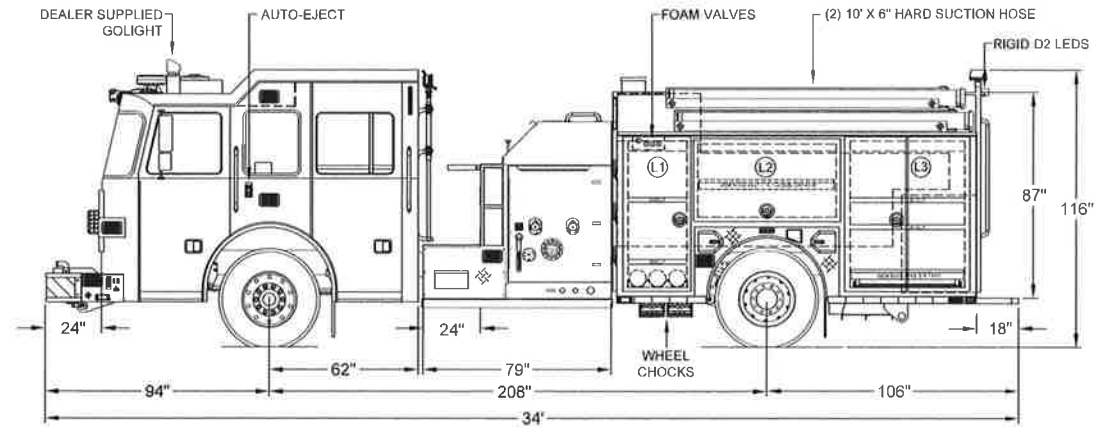
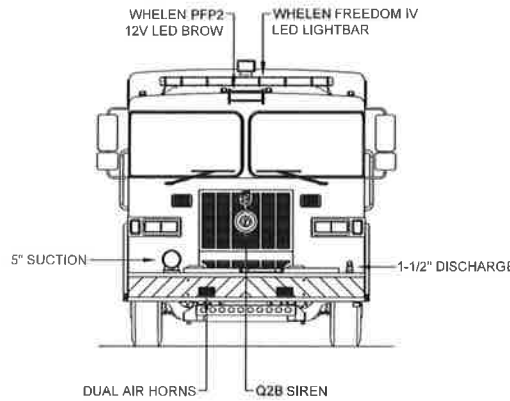
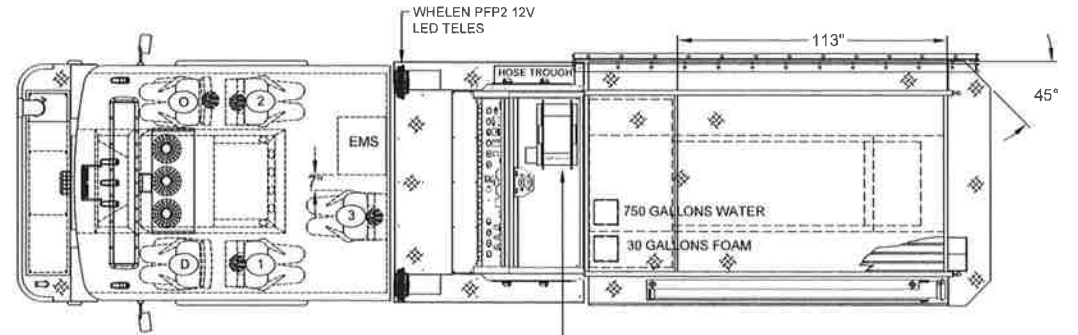


LEFT SIDE COMPARTMENTATION				
COMPT	DOORS	OPENING DIMENSIONS	INSIDE DIMENSIONS	VOLUME
L1	SINGLE	23 1/2" w X 62 3/4" h	31 1/2" w X 66" h X 27 1/4" d	32 CU. FT.
L2	LEFT-UP	67 1/2" w X 32 1/4" h	61 1/2" w X 36 1/2" h X 27 1/4" d	35 CU. FT.
L3	DOUBLE	48 1/2" w X 62 3/4" h	53 1/2" w X 66" h X 27 1/4" d	55 CU. FT.

RIGHT SIDE COMPARTMENTATION				
COMPT	DOORS	OPENING DIMENSIONS	INSIDE DIMENSIONS	VOLUME
R1	SINGLE	23 1/2" w X 56 3/4" h	31 1/2" w X 66" h X 27 1/4" d	29 CU. FT.
R2	LEFT-UP	57 1/2" w X 36 1/4" h	61 1/2" w X 36 1/2" h X 27 1/4" d	29 CU. FT.
R3	DOUBLE	48 1/2" w X 56 3/4" h	53 1/2" w X 66" h X 27 1/4" d	50 CU. FT.

REAR STEP COMPARTMENTS				
COMPT	DOORS	OPENING DIMENSIONS	INSIDE DIMENSIONS	VOLUME
A1	ROLL-UP	37 1/2" w X 31" h	48" h X 49" w X 30 1/2" d	27 CU. FT.

TOTAL: 257 CU.FT.



DIMENSIONS SHOWN ON THIS DRAWING ARE APPROXIMATE AND ARE SUBJECT TO MINOR DEVIATIONS DURING CONSTRUCTION.

IN THE EVENT OF A DISCREPANCY BETWEEN THE SUTPHEN SPECIFICATIONS AND DRAWING, THE SUTPHEN SPECIFICATIONS SHALL PREVAIL.

DRAWING IS FOR REFERENCE ONLY. SOME ITEMS PROPOSED MAY NOT BE SHOWN OR NOTED.

CUSTOMER APPROVAL

NAME: \_\_\_\_\_

TITLE: \_\_\_\_\_

DATE: \_\_\_\_\_

REV.	DESCRIPTION	BY	DATE
D	POST PRODUCTION REVISION TO REFLECT FINAL PRODUCT	RM	09/22/17
C	CHANGED CALL-OUT FOR FRONT BUMPER TROUGH LID - WILL BE 62" WIDE	RM	07/10/17
B	PUMP SEAL WILL BE MECHANICAL ; SMART-FOAM CONTROL HEAD	RM	08/02/17
A	REV-A SHOP ORDER	RM	03/30/17

DMWV BY:	R.MILLER
DATE:	03/02/17
MFG. FACILITY:	DUBLIN

PALM BEACH COUNTY FIRE RESCUE  
WEST PALM BEACH, FL

CUSTOM PUMPER - S4 BODY

HS-6008-12

THIS PRINT IS PROVIDED ON A RESTRICTED BASIS AND IS NOT TO BE USED IN ANY WAY DETRIMENTAL TO THE INTERESTS OF SUTPHEN CORPORATION.