

LEFT SIDE COMPARTMENTATION

COMP	DOORS	INSIDE DIMENSIONS	DOOR OPENING DIMENSIONS	VOLUME
L1	ROLL-UP	40"W X 66"H X 26"D	37 1/2"W X 56 1/2"H	37.4 CU. FT.
L2	ROLL-UP	56"W X 31 1/2"H X 26"D	56 1/4"W X 27"H	28.4 CU. FT.
L3	ROLL-UP	51 1/2"W X 66"H X 26"D	48 3/4"W X 56 1/2"H	47.4 CU. FT.

RIGHT SIDE COMPARTMENTATION

COMP	DOORS	INSIDE DIMENSIONS	DOOR OPENING DIMENSIONS	VOLUME
R1	ROLL-UP	40"W X 66"H X 26"D	37 1/2"W X 56 1/2"H	28.5 CU. FT.
R2	ROLL-UP	56"W X 31 1/2"H X 11"D	56 1/4"W X 27"H	13.7 CU. FT.
R3	ROLL-UP	51 1/2"W X 66"H X 26"D	48 3/4"W X 56 1/2"H	36 CU. FT.

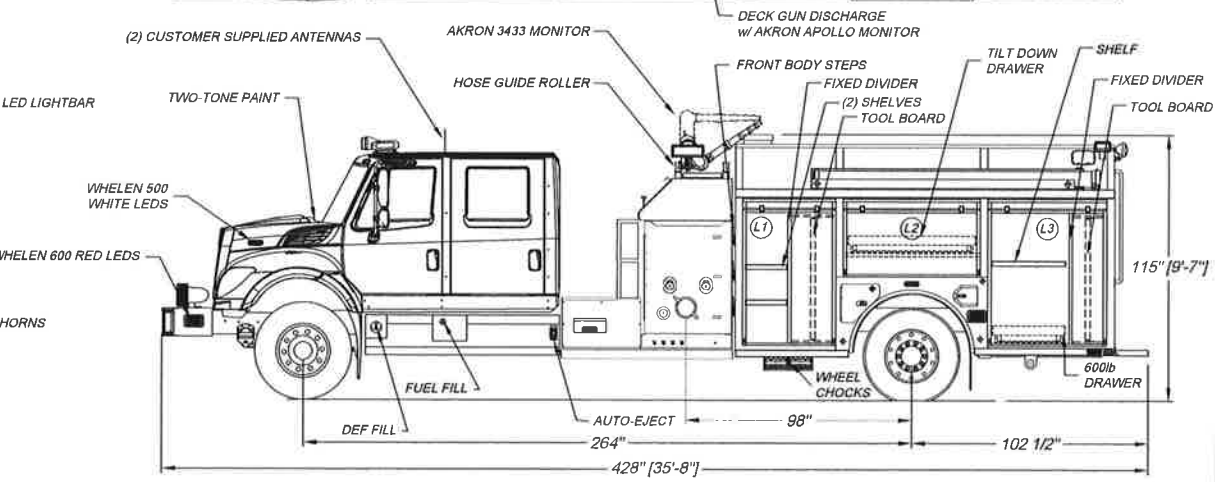
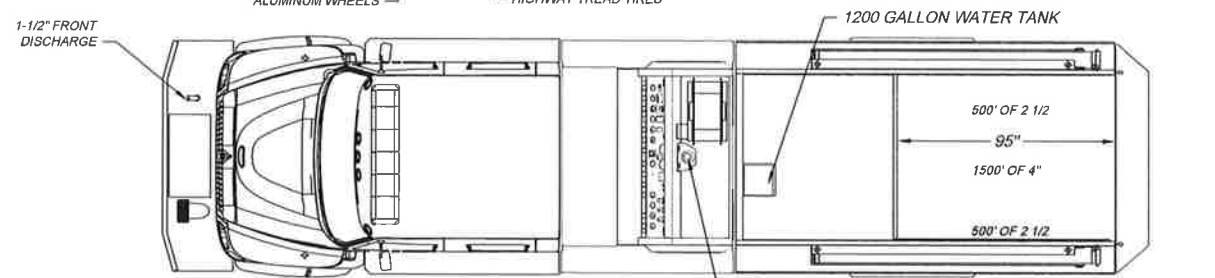
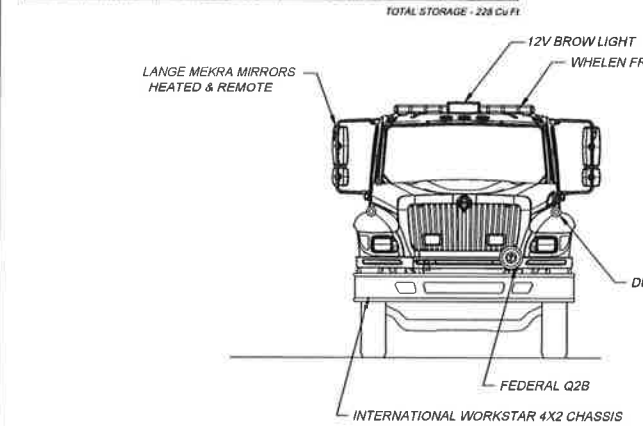
REAR STEP COMPARTMENT

COMP	DOORS	INSIDE DIMENSIONS	DOOR OPENING DIMENSIONS	VOLUME
A1	ROLL-UP	39 1/2"W X 46"H X 31"D	36 3/4"W X 34 1/4"H	31.2 CU. FT.

CAB COMPARTMENT

COMP	DOORS	INSIDE DIMENSIONS	DOOR OPENING DIMENSIONS	VOLUME
C1	HINGED	40"W X 17"H X 18"D	36"W X 16"H	6.2 CU. FT.

TOTAL STORAGE - 228 CU FT



HALE QFLO 1250 PUMP

DIMENSIONS SHOWN ON THIS DRAWING ARE APPROXIMATE AND ARE SUBJECT TO MINOR DEVIATIONS DURING CONSTRUCTION.

IN THE EVENT OF A DISCREPANCY BETWEEN THE SUTPHEN SPECIFICATIONS AND DRAWING, THE SUTPHEN SPECIFICATIONS SHALL PREVAIL.

DRAWING IS FOR REFERENCE ONLY. SOME ITEMS PROPOSED MAY NOT BE SHOWN OR NOTED.

CUSTOMER APPROVAL

NAME: _____

TITLE: _____

DATE: _____

REV.	DESCRIPTION	BY	DATE
B	Misc changes per customer request	JRH	3/3/2017
A	Misc changes per sales request	JNH	2/16/2017
REV.	DESCRIPTION	BY	DATE

DRAWN BY: J.HAULMAN

DATE: 1/30/2017

MFG FACILITY: SPRINGFIELD

HALE QFLO 1250 PUMP

SUTPHEN

DURANT FIRE DEPARTMENT
DURANT, OK.

C-SERIES PUMPER
HS-5597

THIS PRINT IS PRODUCED ON A RESTRICTED BASIS AND IS NOT TO BE USED IN ANY WAY DETRIMENTAL TO THE INTEREST OF SUTPHEN CORPORATION