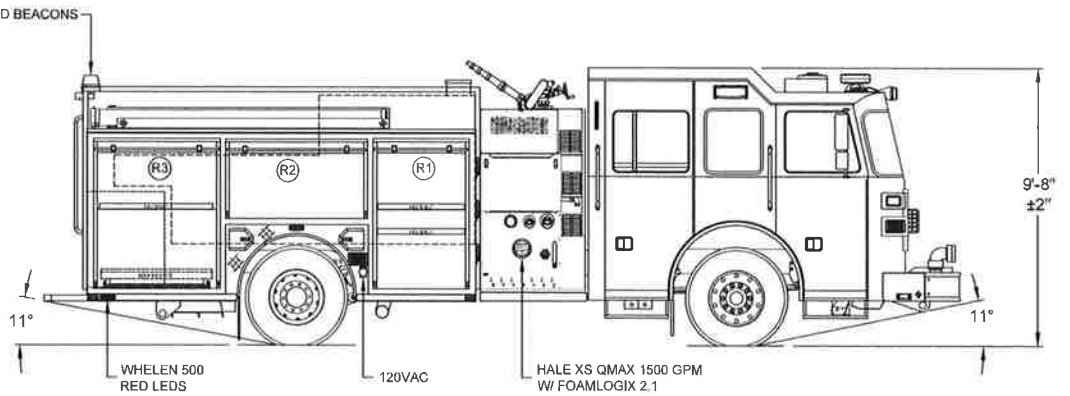
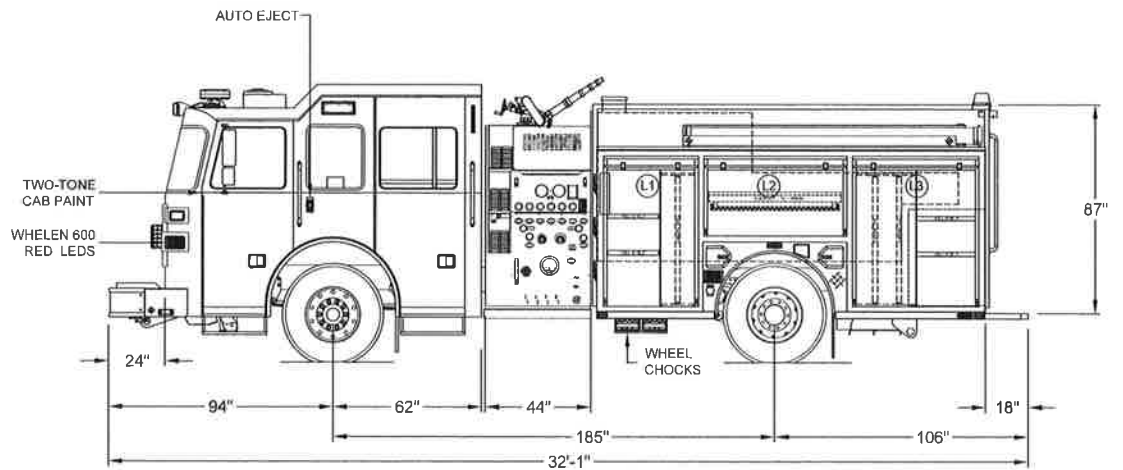
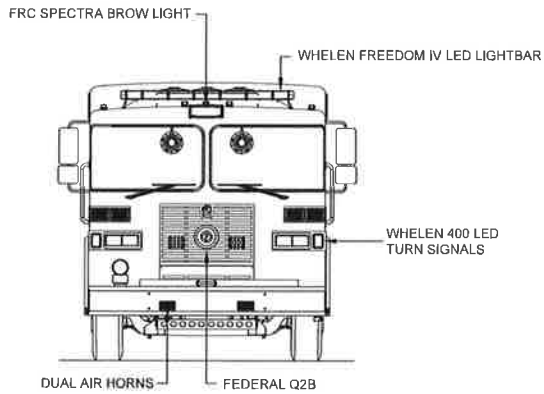
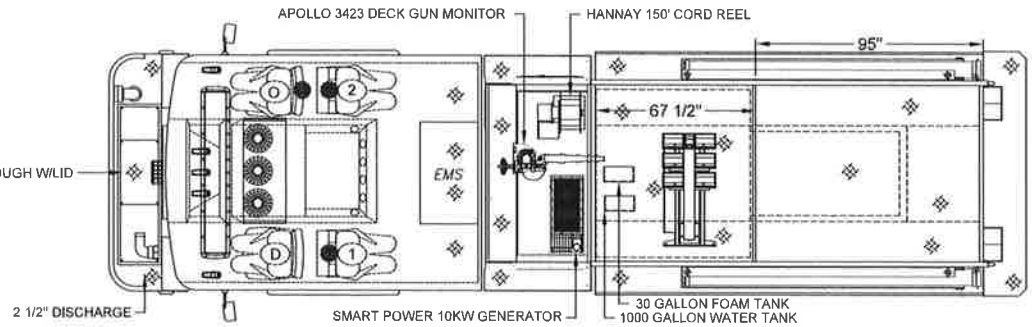


- 24' 2-SECTION ROOF LADDER
- BACK BOARD STORAGE
- (3) PIKE POLE TUBES
- 10' FOLDING LADDER



LEFT SIDE COMPARTMENTATION				
COMPT	DOORS	OPENING DIMENSIONS	INSIDE DIMENSIONS	VOLUME
L1	ROLL-UP	37" W X 55 7/8" H	43" W X 65" H X 27 1/4" D	40 CU. FT.
L2	ROLL-UP	57" W X 27 5/8" H	61 1/2" W X 36 1/2" H X 10 1/2" D	30 CU. FT.
L3	ROLL-UP	59" W X 55 7/8" H	55" W X 66" H X 27 1/4" D	52 CU. FT.
RIGHT SIDE COMPARTMENTATION				
COMPT	DOORS	OPENING DIMENSIONS	INSIDE DIMENSIONS	VOLUME
R1	ROLL-UP	37" W X 55 7/8" H	43" W X 65" H X 27 1/4" D (10 1/2" upper)	26 CU. FT.
R2	ROLL-UP	57" W X 27 5/8" H	61 1/2" W X 36 1/2" H X 10 1/2" D	13 CU. FT.
R3	ROLL-UP	59" W X 55 7/8" H	55" W X 66" H X 27 1/4" D (10 1/2" upper)	34 CU. FT.
REAR STEP COMPARTMENTS				
COMPT	DOORS	OPENING DIMENSIONS	INSIDE DIMENSIONS	VOLUME
A1	ROLL-UP	37 1/2" W X 31" H	40" H X 40" W X 29 1/2" D	27 CU. FT.
TOTAL 222 CU. FT.				



DIMENSIONS SHOWN ON THIS DRAWING ARE APPROXIMATE AND ARE SUBJECT TO MINOR DEVIATIONS DURING CONSTRUCTION.

IN THE EVENT OF A DISCREPANCY BETWEEN THE SUTPHEN SPECIFICATIONS AND DRAWING, THE SUTPHEN SPECIFICATIONS SHALL PREVAIL.

DRAWING IS FOR REFERENCE ONLY. SOME ITEMS PROPOSED MAY NOT BE SHOWN OR NOTED.

CUSTOMER APPROVAL

NAME: _____

TITLE: _____

DATE: _____

REV.	DESCRIPTION	BY	DATE
B	DEALER SUPPLIED, CAMERA SYSTEM	JM	07/06/17
A	REV-A SHOP ORDER	JM	02/28/17

DRAWN BY
J. MORGAN

DATE
12/13/16

MFG. FACILITY
DUBLIN

ALLEN TWP FIRE DEPT
MARYSVILLE, OH

CUSTOM PUMPER - S2 BODY

DWG. NO. HS-5986