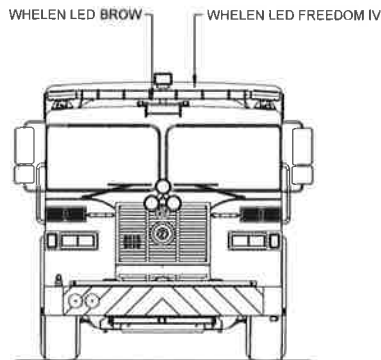
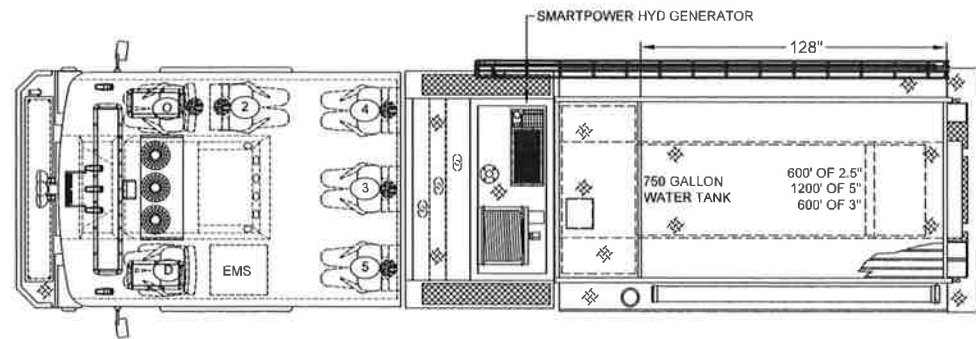
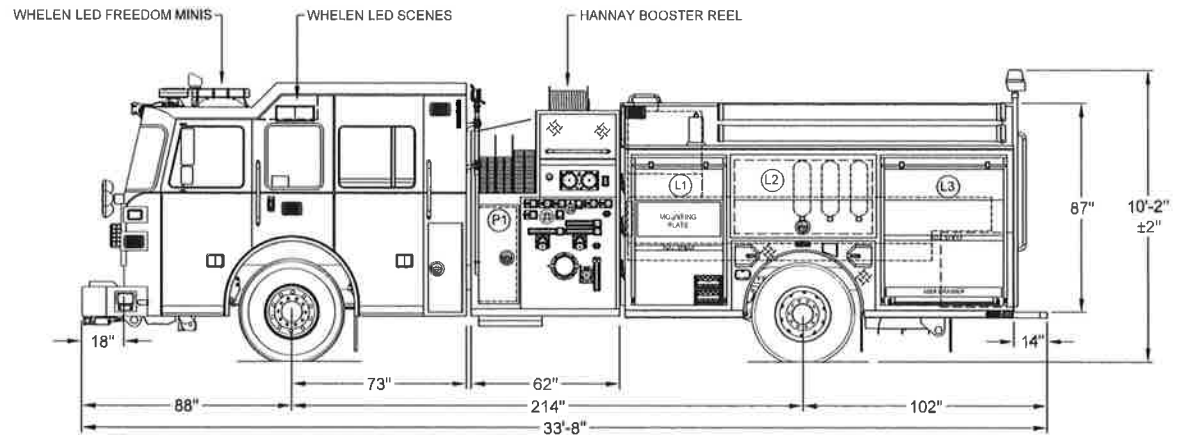


LEFT SIDE COMPARTMENTATION				
COMPT	DOORS	OPENING DIMENSIONS	INSIDE DIMENSIONS	VOLUME
L1	ROLL-UP	37" x 59 7/8"	43 1/2" x 66" x 27 1/4" (10 1/2" upper)	39 CU. FT.
L2	LIFT UP	59 1/2" x 32 1/4"	61 1/2" x 36 1/2" x 27 1/4" (10 1/2" upper)	23 CU. FT.
L3	ROLL-UP	30" x 59 7/8"	53 1/2" x 66" x 27 1/4" (10 1/2" upper)	48 CU. FT.
RIGHT SIDE COMPARTMENTATION				
COMPT	DOORS	OPENING DIMENSIONS	INSIDE DIMENSIONS	VOLUME
R1	ROLL-UP	37" x 60 7/8"	43 1/2" x 66" x 27 1/4" (10 1/2" upper)	38 CU. FT.
R2	ROLL-UP	67" x 21 5/8"	61 1/2" x 30 1/2" x 27 1/4" (10 1/2" upper)	31 CU. FT.
R3	ROLL-UP	50" x 59 7/8"	53 1/2" x 66" x 27 1/4" (10 1/2" upper)	47 CU. FT.
REAR STEP COMPARTMENTS				
COMPT	DOORS	OPENING DIMENSIONS	INSIDE DIMENSIONS	VOLUME
A1	ROLL-UP	27 1/2" x 31"	30" x 40" x 30 1/2"	31 CU. FT.

TOTAL: 237 CU. FT.



LOWER WARNING PACKAGE:
 -WHELEN 600 LEDS
 -WHELEN ROTABEAM LEDS
 -WHELEN M6V2 COMBO LEDS



DIMENSIONS SHOWN ON THIS DRAWING ARE APPROXIMATE AND ARE SUBJECT TO MINOR DEVIATIONS DURING CONSTRUCTION.

IN THE EVENT OF A DISCREPANCY BETWEEN THE SUTPHEN SPECIFICATIONS AND DRAWING, THE SUTPHEN SPECIFICATIONS SHALL PREVAIL.

DRAWING IS FOR REFERENCE ONLY. SOME ITEMS PROPOSED MAY NOT BE SHOWN OR NOTED.

CUSTOMER APPROVAL

NAME: _____
 TITLE: _____
 DATE: _____

REV.	DESCRIPTION	BY	DATE
E	POST-PRODUCTION REVISION TO REFLECT FINAL PRODUCT	RM	08/17/17
D	MID-INSPECTION UPDATES ; SEE SHOP ORDER REVISION EMAIL	RM	06/14/17
C	UPDATED OPTION VERBIAGE FOR REAR DISCHARGE TERMINATIONS	RM	06/02/17
B	UPDATED CONTACT INFO : DRIVER'S SEAT SIERRA : WIDER REAR MUD FLAPS : KENWOOD TK7190	RM	02/28/17

RM	08/17/17	DRAWN BY	R MILLER
RM	06/14/17	DATE	01/05/17
RM	06/02/17	REV. FACILITY	DUBLIN

SUTPHEN
 SOUTHINGTON FIRE DEPT.
 SOUTHINGTON, CT
 CUSTOM PUMPER - PA01 43/53 SPECIAL BODY
 0001 400: 115-5944