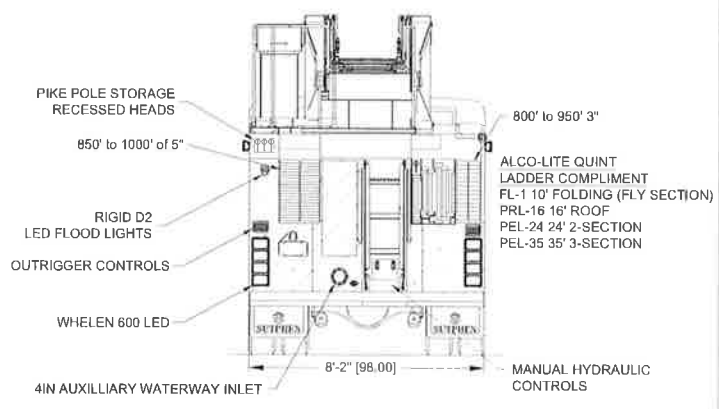
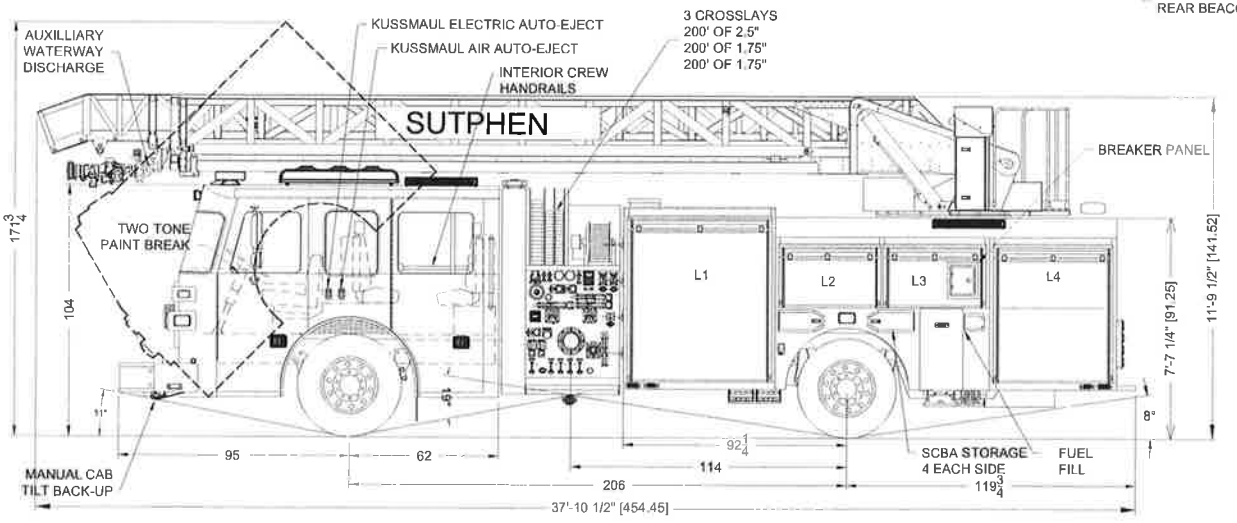


COMPT	DOORS	OPENING DIMENSIONS	INSIDE DIMENSIONS	VOLUME
L1	ROLL-UP	55.00'W x 62.00'H	62.12'W x 71.12'H x 23.00'D	81.18 CU. FT.
L2	ROLL-UP	38.00'W x 18.13'H	44.50'W x 28.25'H x 10.00'D	7.23 CU. FT.
L3	ROLL-UP	38.00'W x 18.13'H	44.50'W x 28.25'H x 10.00'D	7.23 CU. FT.
L4 UPPER	ROLL-UP	48.00'W x 50.00'H	50.06'W x 29.12'H x 10.00'D	8.43 CU. FT.
L4 LOWER	ROLL-UP	48.00'W x 30.00'H	50.06'W x 30.00'H x 23.93'D	20.80 CU. FT.
R1 UPPER	ROLL-UP	55.00'W x 32.00'H	62.12'W x 41.12'H x 10.00'D	14.76 CU. FT.
R1 LOWER	ROLL-UP	55.00'W x 30.00'H	62.12'W x 30.00'H x 23.00'D	35.80 CU. FT.
R2	ROLL-UP	48.00'W x 21.75'H	50.06'W x 30.00'H x 23.00'D	23.80 CU. FT.
		SCBA TUBES	8 TUBES X 0.746 CU. FT. EACH	5.90 CU. FT.
		PIKE POLE TUBES	4 TUBES X 0.252 CU. FT. EACH	1.26 CU. FT.
		GROUND LADDER CHUTE	13.67'W x 26.81'H x 197.28'D	42.45 CU. FT.
			TOTAL VOLUME:	215.94 CU. FT.



DIMENSIONS SHOWN ON THIS DRAWING ARE APPROXIMATE AND ARE SUBJECT TO MINOR DEVIATIONS DURING CONSTRUCTION. IN THE EVENT OF A DISCREPANCY BETWEEN THE SUTPHEN SPECIFICATIONS AND DRAWING, THE SUTPHEN SPECIFICATIONS SHALL PREVAIL. DRAWING IS FOR REFERENCE ONLY. SOME ITEMS PROPOSED MAY NOT BE SHOWN OR NOTED.	CUSTOMER APPROVAL NAME: _____ TITLE: _____ DATE: _____		REV. _____ DESCRIPTION _____ BY _____ DATE _____		DRAWN BY APF DATE 08/2/16	 DEMO 428 MFG FACILITY HILLIARD SLR75 HS-5901
	THIS PRINT IS PROVIDED ON A RESTRICTED BASIS AND IS NOT TO BE USED IN ANY WAY DETRIMENTAL TO THE INTEREST OF SUTPHEN CORPORATION					