

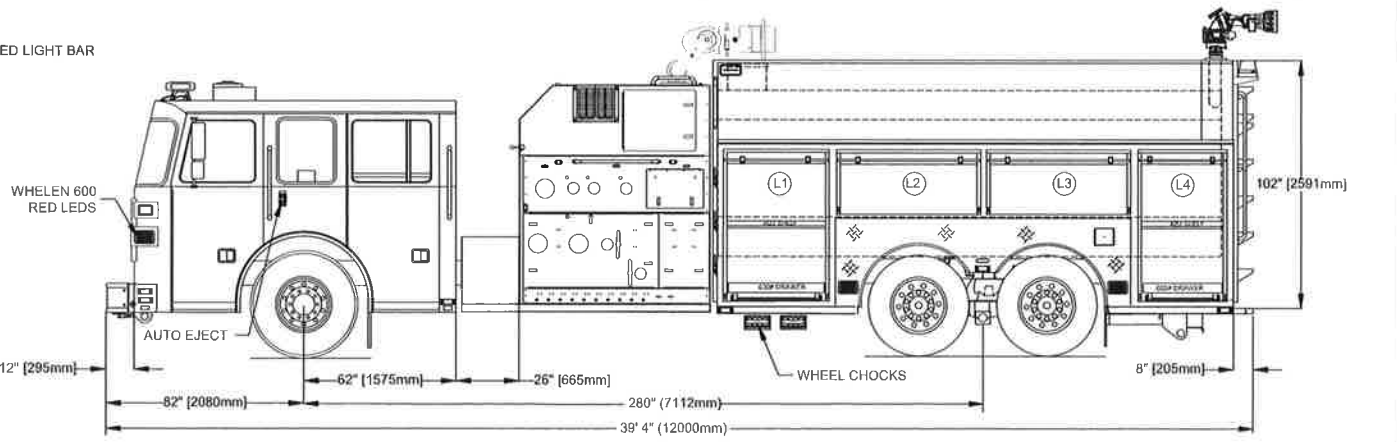
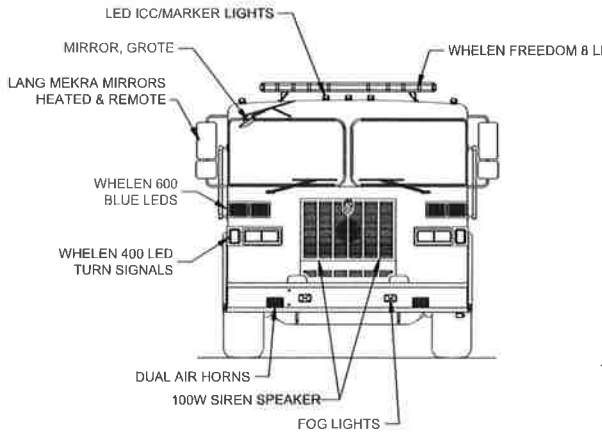
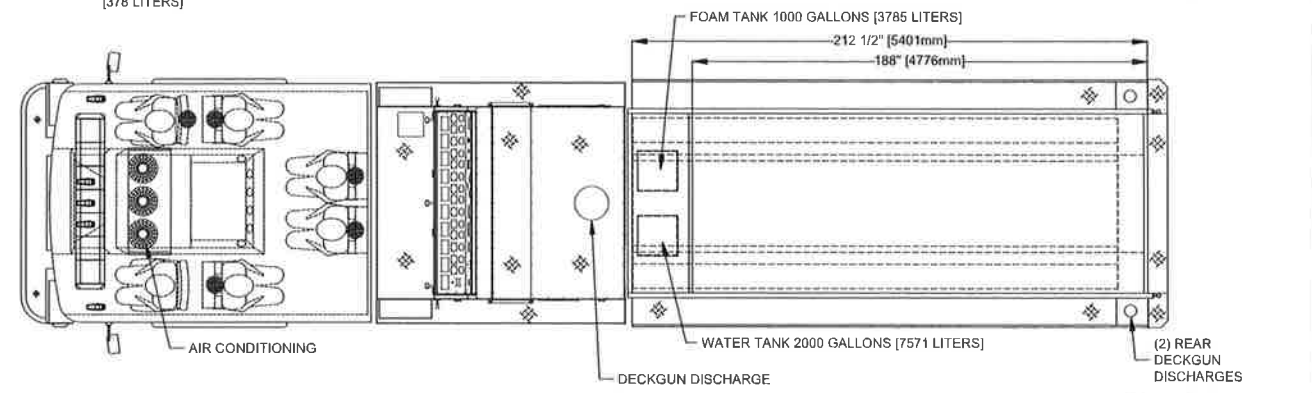
LEFT SIDE COMPARTMENTATION				
COMPT	DOORS	OPENING DIMENSIONS	INSIDE DIMENSIONS	VOLUME
L1	ROLL-UP	41" w X 56 7/8" h [1041mm]w X [1445mm]h	49 1/2" w X 66" h X 27 1/4" d [1257mm]w X [1676mm]h X [692mm]d	29 CU. FT. [0.82 CU. M.]
L2	ROLL-UP	57" w X 21 5/8" h [1448mm]w X [549mm]h	61 1/2" w X 30 1/2" h X 10 1/2" d [1562mm]w X [775mm]h X [267mm]d	11 CU. FT. [0.31 CU. M.]
L3	ROLL-UP	57" w X 21 5/8" h [1448mm]w X [549mm]h	61 1/2" w X 30 1/2" h X 10 1/2" d [1562mm]w X [775mm]h X [267mm]d	11 CU. FT. [0.31 CU. M.]
L4	ROLL-UP	34" w X 56 7/8" h [864mm]w X [1445mm]h	42 1/2" w X 66" h X 27 1/4" d [1079mm]w X [1676mm]h X [692mm]d	24 CU. FT. [0.71 CU. M.]

*Upper portion of L1,L3,4 are 10 1/2" D [267mm] deep

RIGHT SIDE COMPARTMENTATION				
COMPT	DOORS	OPENING DIMENSIONS	INSIDE DIMENSIONS	VOLUME
R1	ROLL-UP	41" w X 56 7/8" h [1041mm]w X [1445mm]h	49 1/2" w X 66" h X 27 1/4" d [1257mm]w X [1676mm]h X [692mm]d	29 CU. FT. [0.82 CU. M.]
R2	ROLL-UP	57" w X 21 5/8" h [1448mm]w X [549mm]h	61 1/2" w X 30 1/2" h X 10 1/2" d [1562mm]w X [775mm]h X [267mm]d	11 CU. FT. [0.31 CU. M.]
R3	ROLL-UP	57" w X 21 5/8" h [1448mm]w X [549mm]h	61 1/2" w X 30 1/2" h X 10 1/2" d [1562mm]w X [775mm]h X [267mm]d	11 CU. FT. [0.31 CU. M.]
R4	ROLL-UP	34" w X 56 7/8" h [864mm]w X [1445mm]h	42 1/2" w X 66" h X 27 1/4" d [1079mm]w X [1676mm]h X [692mm]d	24 CU. FT. [0.91 CU. M.]

*Upper portion of R1,R3,4 are 10 1/2" D [267mm] deep

TOTAL: 150 CU. FT.
[4.33 CU. M.]



THE INFORMATION PRESENTED ON THIS DOCUMENTS IS TO BE USED FOR ILLUSTRATIVE PURPOSES ONLY AND IT MAY NOT REFLECT, AESTHETICALLY OR OTHERWISE, PAST OR PRESENT MANUFACTURED PRODUCTS. SUTPHEN CORPORATION RESERVES THE RIGHT TO MAKE CHANGES IN THE DESIGN OF OUR PRODUCTS AT ANY TIME, WITHOUT NOTIFICATION. DIMENSIONS AND ITEM LOCATIONS ARE APPROXIMATE.

CUSTOMER APPROVAL

NAME: _____

TITLE: _____

DATE: _____

REV.	DESCRIPTION	BY	DATE
C	MISC. CHANGES, TO MATCH NEW BODY DESIGN	MJC	04/11/16
B	MISC. CHANGES, INCLUDING WHEEL BASE CHANGE	MJC	01/18/16
A	MISC. CHANGES	MJC	10/23/15

SUTPHEN CORPORATION
FIRE APPARATUS - SINCE 1890
6450 EITERMAN ROAD
DUBLIN, OH 43016

DRAWN BY: M. Clark	DATE: 10/23/15	EKPAC CHINA INC ANYANG FIRE BRIGADE	DWG NO: HS-5677 & 5678
		INDUSTRIAL TANKER	

THIS PRINT IS PROVIDED ON A RESTRICTED BASIS AND IS NOT TO BE USED IN ANY WAY DETRIMENTAL TO THE INTEREST OF SUTPHEN CORPORATION