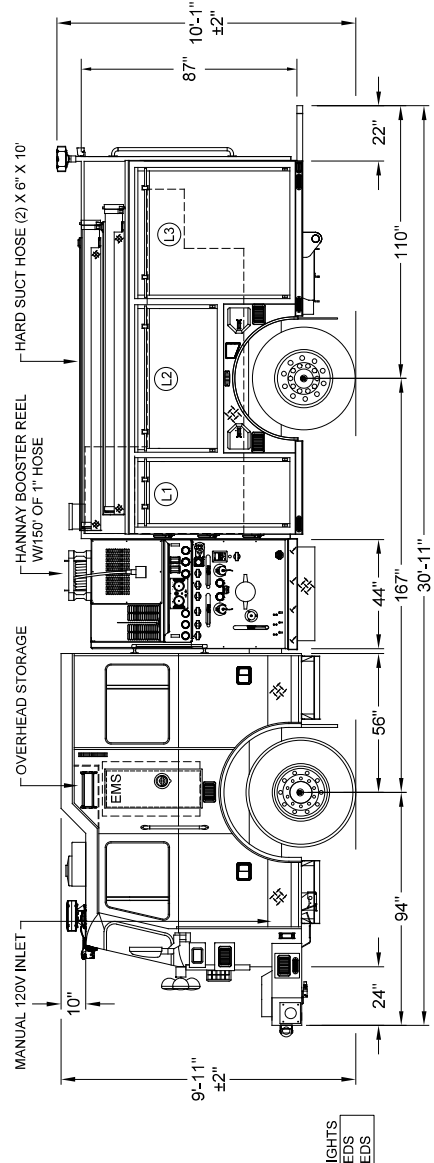
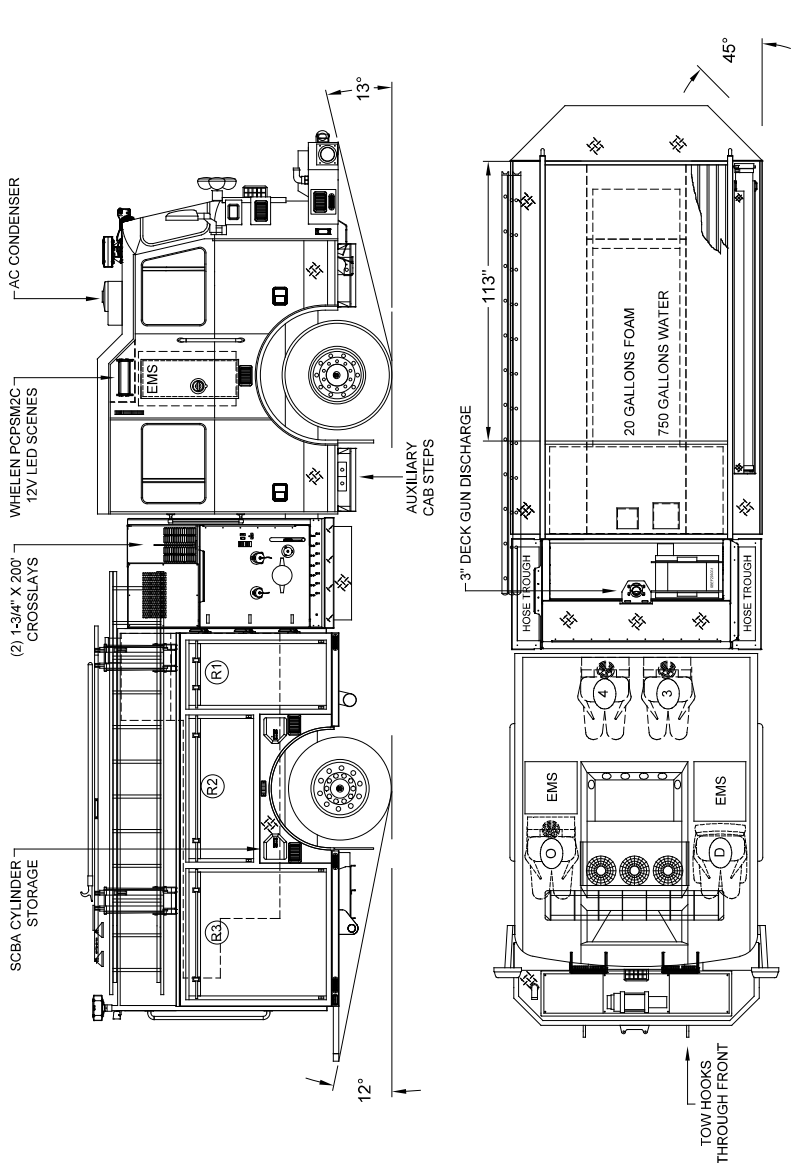
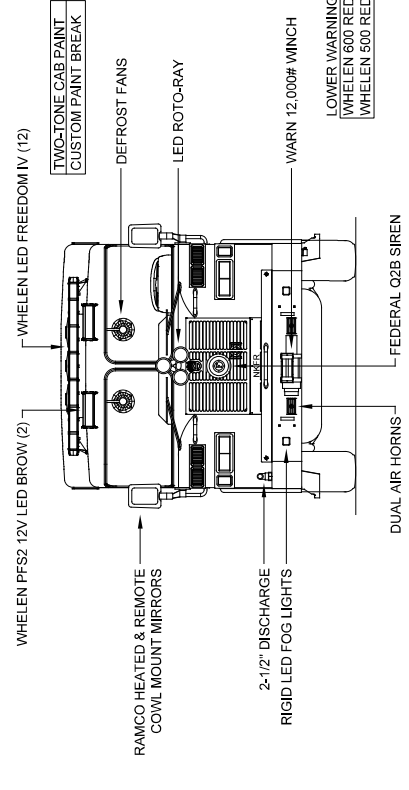


COMP.	DOORS	OPENING DIMENSIONS	INSIDE DIMENSIONS	VOLUME
L1	ROLL-UP	25.5" W X 57.4" H	31.1" W X 66" H X 27.3" D	26.4 CUL. FT.
L2	ROLL-UP	57.5" W X 26.2" H	61.6" W X 36.8" H X 27.3" D	26.8 CUL. FT.
L3	ROLL-UP	50.5" W X 57.4" H	53.4" W X 66" H X 27.3" D	50.5 CUL. FT.

COMP.	DOORS	OPENING DIMENSIONS	INSIDE DIMENSIONS	VOLUME
R1	ROLL-UP	26.5" W X 51.4" H	31.1" W X 66" H X 27.3" D	26.3 CUL. FT.
R2	ROLL-UP	57.5" W X 22.2" H	61.6" W X 30.8" H X 27.3" D	27.8 CUL. FT.
R3	ROLL-UP	50.5" W X 51.4" H	53.4" W X 66" H X 27.3" D	46.8 CUL. FT.

COMP.	DOORS	OPENING DIMENSIONS	INSIDE DIMENSIONS	VOLUME
A1	ROLL-UP	37.5" W X 32.8" H	40" W X 40" H X 31" D	26.7 CUL. FT.
				TOTAL: 242.9 CUL. FT.



SUTPHEN
NEW KENT FIRE DEPARTMENT
NEW KENT, VA
CUSTOM PUMPER - S4 BODY
DWS. NO. HSC4180-03

SEVERAL CLARIFICATIONS: SEE SO REVISION EMAIL FOR FULL LIST

REV.	DESCRIPTION	DATE	BY
H	CLARIFICATIONS MADE FOR FRONT BUMPER OUTLET AND TRAFFIC ADVISOR	10/25/18	RM
G	MINOR ADJUSTMENTS TO CHASSIS COMPONENTS ON DWG TO MATCH HSC4164, LOCATION FOR FRONT BUMPER OUTLET SPECIFIED	06/14/18	RM
F	BLACK SCORPION ADDED TO TOP LIP OF BUMPER; CENTER TROUGH REWORKED FOLLOWING MID-VISIT	07/26/18	RM
E	DESCRIPTION	06/19/18	RM

THIS PRINT IS PROVIDED ON A RESTRICTED BASIS AND IS NOT TO BE USED IN ANY WAY DETRIMENTAL TO THE INTEREST OF SUTPHEN CORPORATION.

CUSTOMER APPROVAL

NAME: _____
TITLE: _____
DATE: _____

DIMENSIONS SHOWN ON THIS DRAWING ARE APPROXIMATE AND ARE SUBJECT TO MINOR DEVIATIONS DURING CONSTRUCTION.

IN THE EVENT OF A DISCREPANCY BETWEEN THE SUTPHEN SPECIFICATIONS AND DRAWING, THE SUTPHEN SPECIFICATIONS SHALL PREVAIL.

DRAWINGS FOR REFERENCE ONLY, SOME ITEMS PROPOSED MAY NOT BE SHOWN OR NOTED.