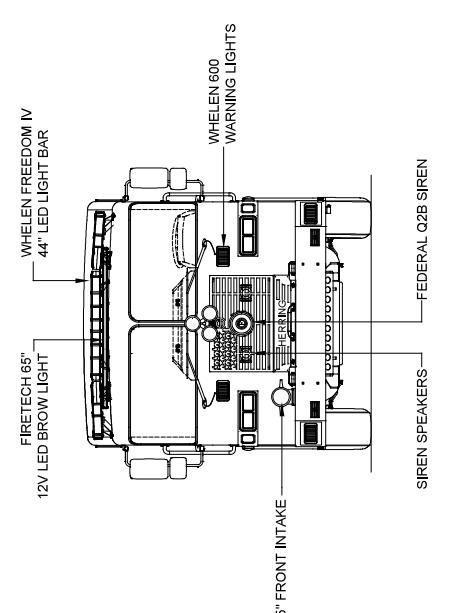
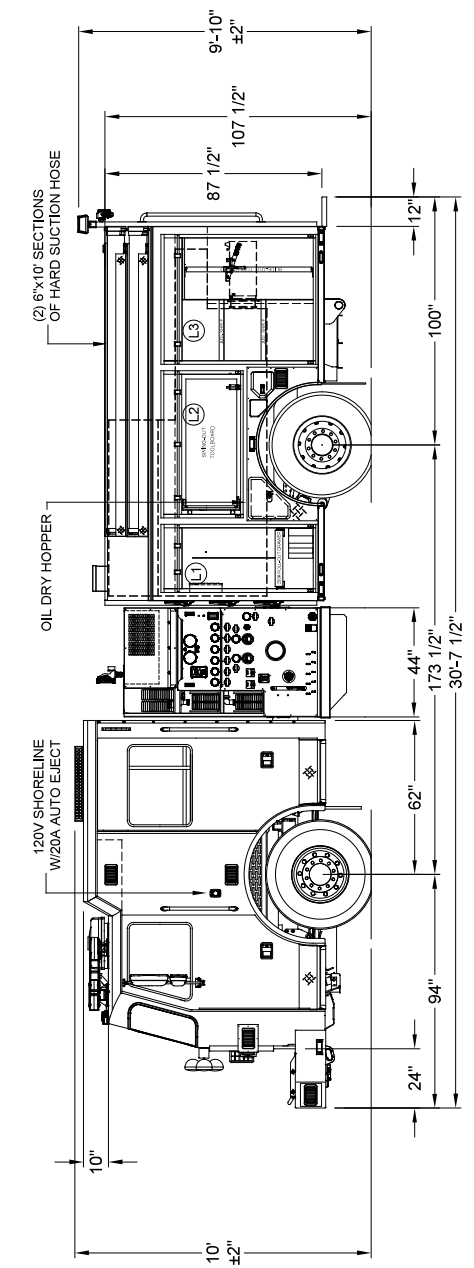
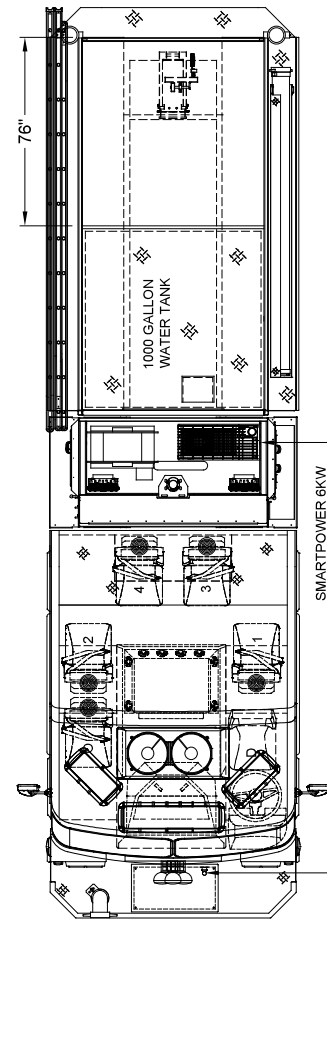
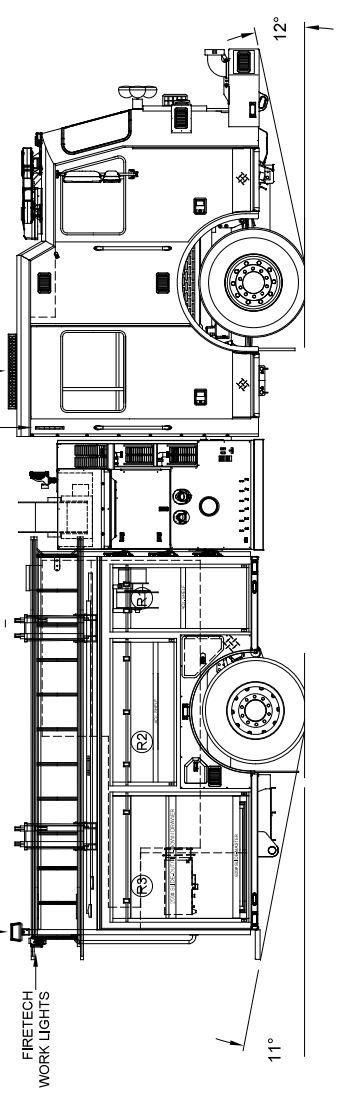


| COMPT | DOORS | OPENING DIMENSIONS | INSIDE DIMENSIONS | VOLUME |
|-------|---------|--------------------|-------------------------|-------------|
| L1 | ROLL-UP | 25.5"W X 55.4"H | 31.7"W X 66.7" X 27.3"D | 28.4 CU.FT. |
| L2 | ROLL-UP | 57.5"W X 26.2"H | 61.6"W X 36.8" X 27.3"D | 28.8 CU.FT. |
| L3 | ROLL-UP | 50.5"W X 55.4"H | 53.4"W X 66.7" X 27.3"D | 50.5 CU.FT. |

| COMPT | DOORS | OPENING DIMENSIONS | INSIDE DIMENSIONS | VOLUME |
|-------|---------|--------------------|-------------------------|-------------|
| R1 | ROLL-UP | 25.5"W X 48.4"H | 31.7"W X 60.7" X 27.3"D | 28.3 CU.FT. |
| R2 | ROLL-UP | 57.5"W X 20.2"H | 61.6"W X 30.8" X 27.3"D | 27.6 CU.FT. |
| R3 | ROLL-UP | 50.5"W X 48.4"H | 53.4"W X 60.7" X 27.3"D | 48.6 CU.FT. |

| COMPT | DOORS | OPENING DIMENSIONS | INSIDE DIMENSIONS | VOLUME |
|-------|---------|--------------------|------------------------|----------------------------|
| A1 | ROLL-UP | 37.2"W X 35.1"H | 40.7"W X 45.7" X 31.6" | 33.0 CU.FT. |
| | | | | TOTAL: 242.8 CU.FT. |

SINGLE TONE CAB
RED



CUSTOMER APPROVAL

NAME: _____ TITLE: _____ DATE: _____

DIMENSIONS SHOWN ON THIS DRAWING ARE APPROXIMATE AND ARE SUBJECT TO MINOR DEVIATIONS DURING CONSTRUCTION.

IN THE EVENT OF A DISCREPANCY BETWEEN THE SUTPHEN SPECIFICATIONS AND DRAWING, THE SUTPHEN SPECIFICATIONS SHALL PREVAIL.

DRAWINGS FOR REFERENCE ONLY. SOME ITEMS PROPOSED MAY NOT BE SHOWN OR NOTED.

| REV. | DESCRIPTION | DATE | BY |
|------|---|------------|-----|
| M | MULTIPLE UPDATES TO THE SHOP ORDER FROM FINAL INSPECTION | 11/23/2021 | KMG |
| L | ADDED STEPS TO BOTH SIDE OF THE DUNNAGE AREA & ADDED 18" STRIPE TO GRAPHICS | 11/01/2021 | KMG |
| K | REVISED MOTOR LOCATION FOR CORD REEL | 10/22/2021 | KMG |
| J | ADDED TREADPLATE TO THE REAR CORNERS OF THE CAB | 10/21/2021 | KMG |

THIS PRINT IS PROVIDED ON A RESTRICTED BASIS AND IS NOT TO BE USED IN ANY WAY DETRIMENTAL TO THE INTEREST OF SUTPHEN CORPORATION.

DRAWN BY: KEVIN GOON
DATE: 08/11/2020
MFG. FACILITY: DUBLIN
CUSTOM PUMPER - S4
HS-6874

SUTPHEN
HERRING VOLUNTEER FIRE DEPARTMENT
CLINTON, NC