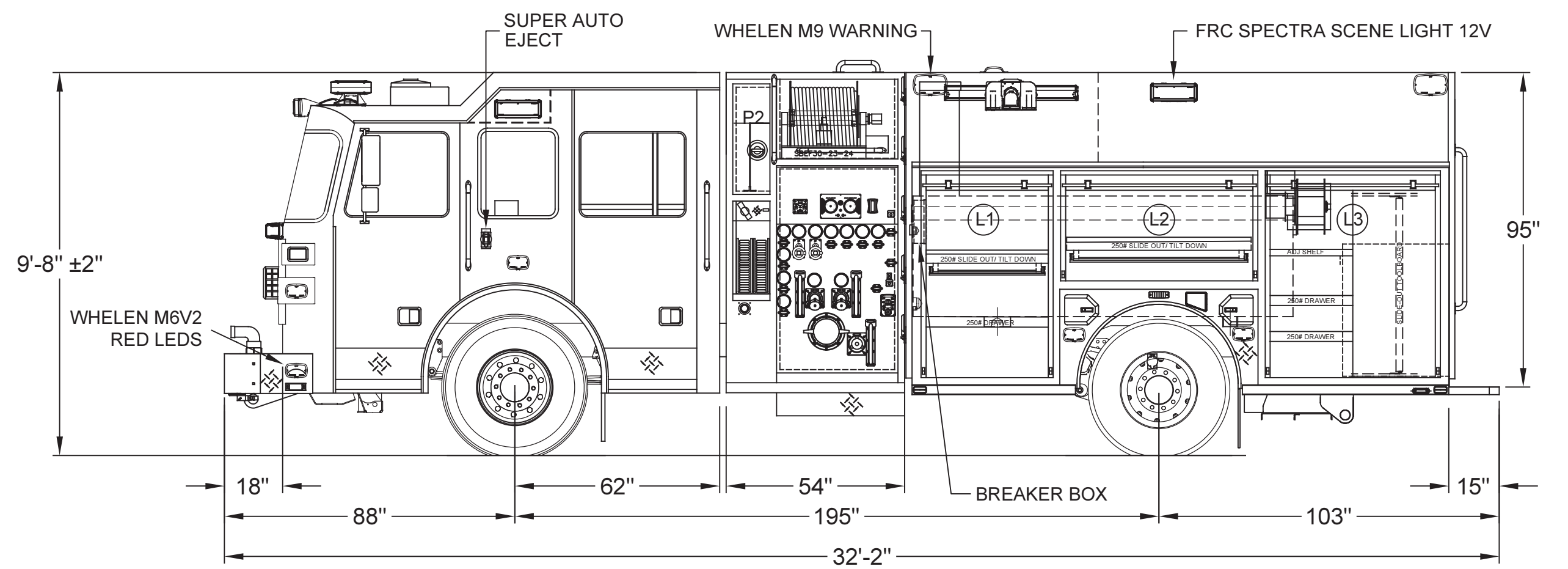
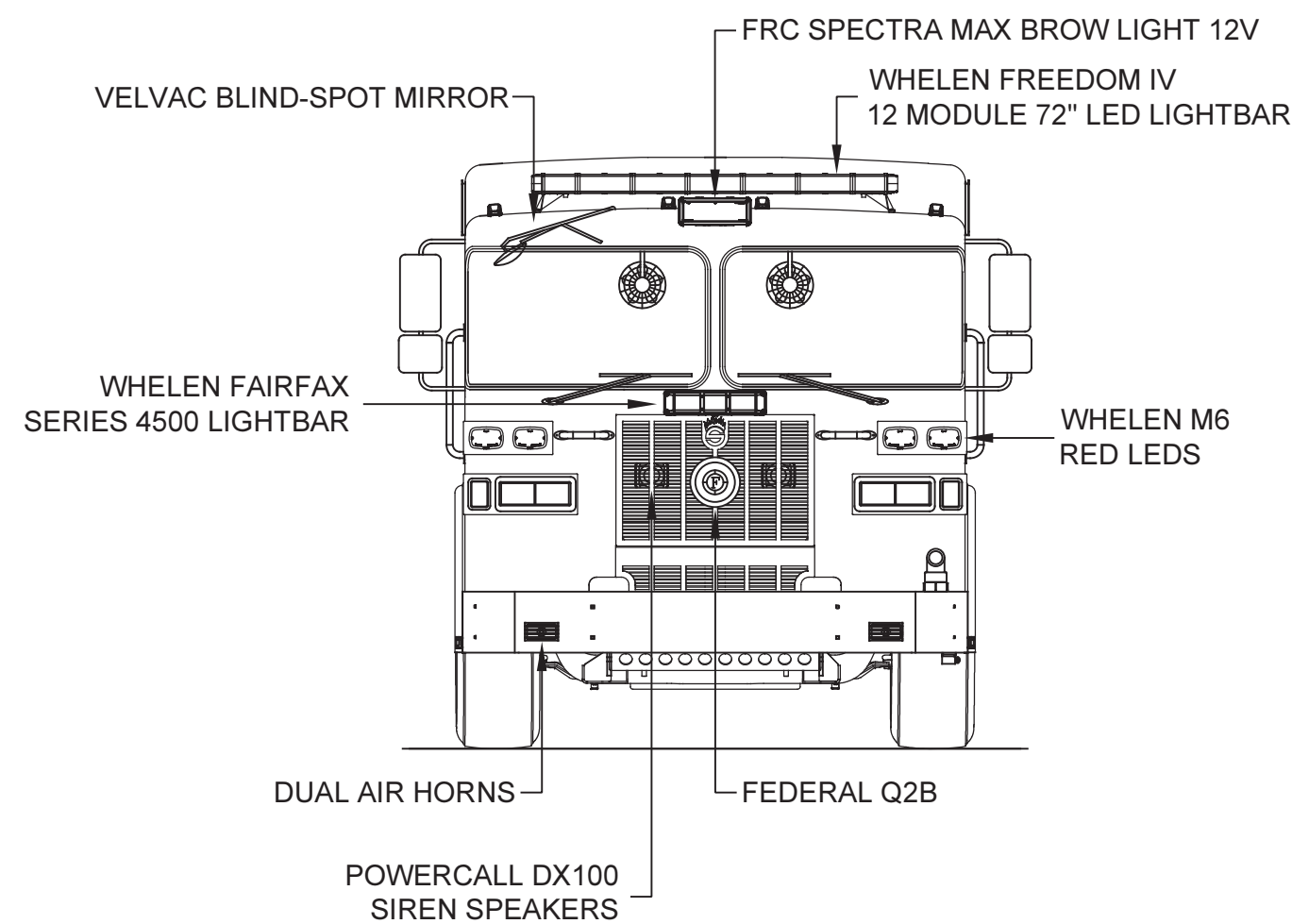
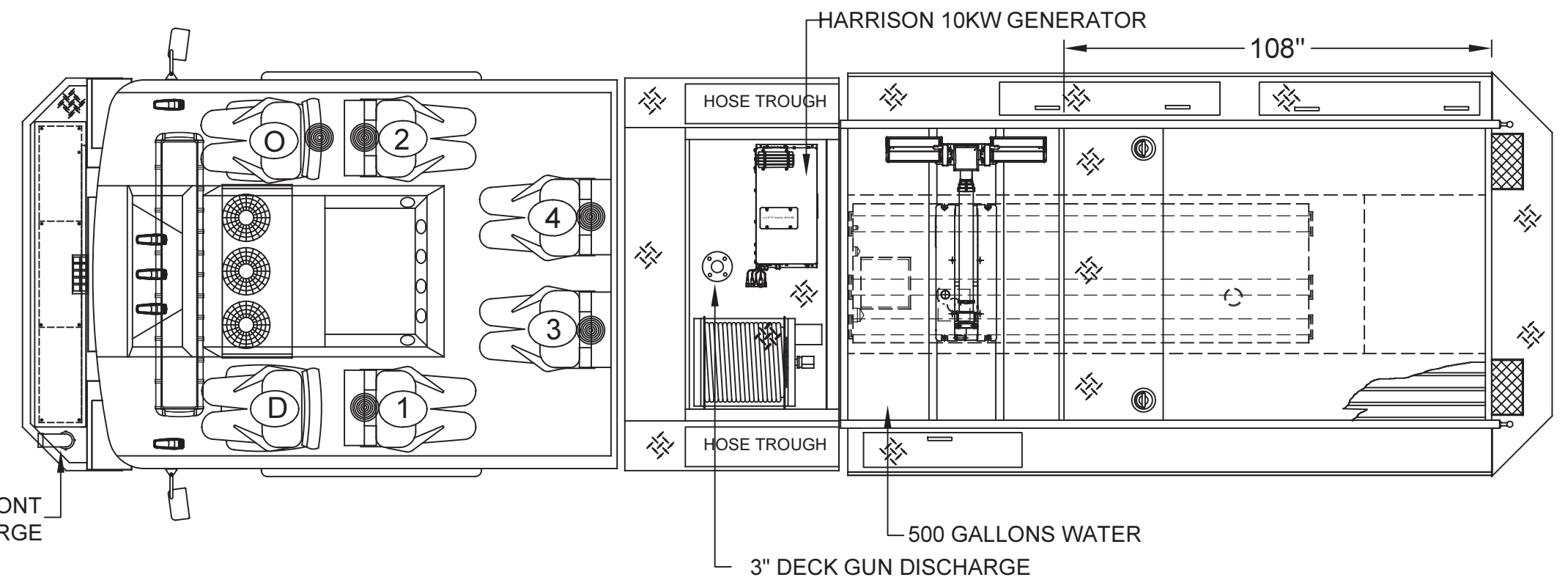


LEFT SIDE COMPARTMENTS				
COMPT	DOORS	OPENING DIMENSIONS	INSIDE DIMENSIONS	VOLUME
L1	ROLL-UP	33.5" w X 57.4" h	43.1" w X 66" h X 27.3" d	40.8 CU. FT. (10" h X 10.5" d UPPER)
L2	ROLL-UP	53.5" w X 28.2" h	61.6" w X 36.8" h X 27.3" d	29.8 CU. FT. (10" h X 10.5" d UPPER)
L3	ROLL-UP	46.5" w X 57.4" h	53.4" w X 66" h X 27.3" d	50.5 CU. FT. (10" h X 10.5" d UPPER)

RIGHT SIDE COMPARTMENTS				
COMPT	DOORS	OPENING DIMENSIONS	INSIDE DIMENSIONS	VOLUME
R1	ROLL-UP	33.5" w X 57.4" h	43.1" w X 66" h X 27.3" d	31.1 CU. FT. (33" h X 10.5" d UPPER)
R2	ROLL-UP	53.5" w X 23.8" h	61.6" w X 32.4" h X 10.5" d	12.2 CU. FT. (33" h X 10.5" d UPPER)
R3	ROLL-UP	46.5" w X 57.4" h	53.4" w X 66" h X 27.3" d	38.6 CU. FT. (33" h X 10.5" d UPPER)

REAR STEP COMPARTMENT				
COMPT	DOORS	OPENING DIMENSIONS	INSIDE DIMENSIONS	VOLUME
A1	ROLL-UP	37.5" w X 32.8" h	40" h X 40" w X 31" d	28.7 CU. FT.

TOTAL: 233.3 CU.FT.



DIMENSIONS SHOWN ON THIS DRAWING ARE APPROXIMATE AND ARE SUBJECT TO MINOR DEVIATIONS DURING CONSTRUCTION.

IN THE EVENT OF A DISCREPANCY BETWEEN THE SUTPHEN SPECIFICATIONS AND DRAWING, THE SUTPHEN SPECIFICATIONS SHALL PREVAIL.

DRAWING IS FOR REFERENCE ONLY. SOME ITEMS PROPOSED MAY NOT BE SHOWN OR NOTED.

CUSTOMER APPROVAL

NAME: _____

TITLE: _____

DATE: _____

O	POST-PRODUCTION REVISION TO REFLECT FINAL PRODUCT	RM	11/01/19
N	FURTHER CLARIFICATION ON FASTENERS FOR NETTING AROUND TRUCK	RM	10/25/19
M	RUN WIRING FOR FD TO INSTALL THEIR OWN HANDLIGHTS IN CAB	RM	10/02/19
L	CUSTOMERS WILL INSTALL THEIR OWN HANDLIGHTS IN THE CAB	RM	09/28/19
REV.	DESCRIPTION	BY	DATE

THIS PRINT IS PROVIDED ON A RESTRICTED BASIS AND IS NOT TO BE USED IN ANY WAY DETRIMENTAL TO THE INTEREST OF SUTPHEN CORPORATION.

DRAWN BY: J.MORGAN

DATE: 10/23/18

MFG. FACILITY: DUBLIN

CITY OF HARRISONBURG FIRE DEPARTMENT
HARRISONBURG, VA

CUSTOM PUMPER - PA-12 BODY

DWG. NO.: HS-6337