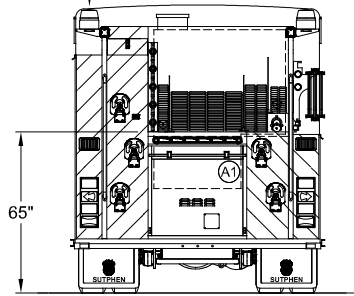


WHELEN B6MM  
RED BEACONS



**HOSE LOAD**

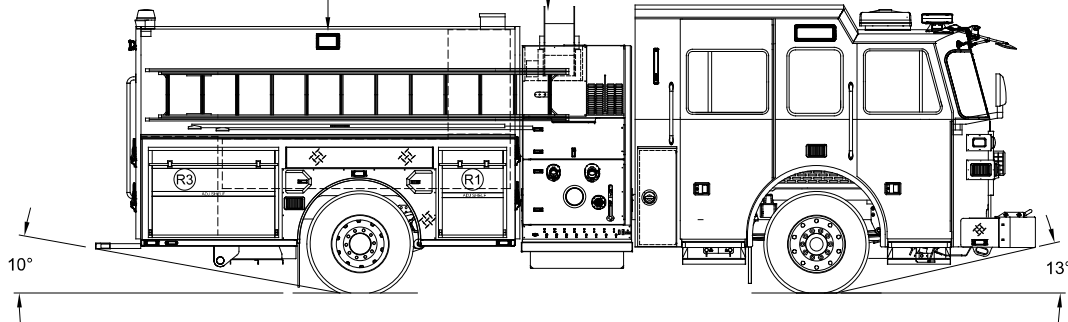
- 150' OF 2.5"
- 600' OF 4"
- 500' OF 2.5"
- 250' OF 1.75"

**LADDER BRACKETS**

- (1) 24' 2-SECT.
- (1) 14' ROOF
- (1) 10' FOLDING
- (2) PIKE POLE STOR

WHELEN PCPSM1  
12V LEADS

HANNAY BOOSTER  
REEL W/150' OF 1"

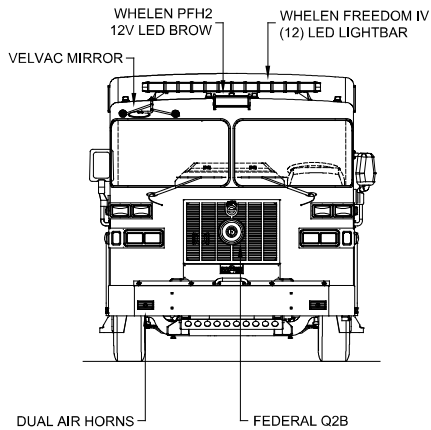
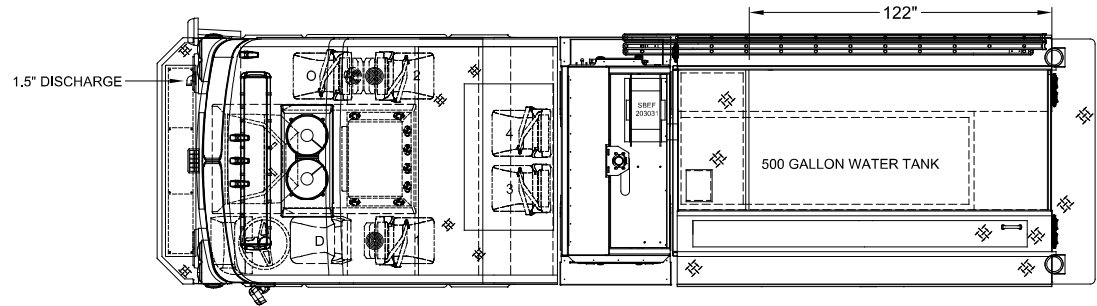


LEFT SIDE COMPARTMENTS				
COMPT	DOORS	OPENING DIMENSIONS	INSIDE DIMENSIONS	VOLUME
L1	ROLL-UP	25.5" w X 61.4" h	31.1" w X 72" h X 27.3" d	35.4 CU. FT.
L2	ROLL-UP	57.5" w X 32.2" h	61.6" w X 42.8" h X 27.3" d	41.6 CU. FT.
L3	ROLL-UP	50.5" w X 61.4" h	53.4" w X 72" h X 27.3" d	60.8 CU. FT.

RIGHT SIDE COMPARTMENTS				
COMPT	DOORS	OPENING DIMENSIONS	INSIDE DIMENSIONS	VOLUME
R1	ROLL-UP	25.5" w X 29.4" h	31.1" w X 40" h X 27.3" d	28.3 CU. FT.
R2	DROP DOWN	57.0" w X 7.3" h	59" w X 8.5" h X 28.5" d	8.2 CU. FT.
R3	ROLL-UP	50.5" w X 29.4" h	53.4" w X 40" h X 27.3" d	48.6 CU. FT.

REAR STEP COMPARTMENT				
COMPT	DOORS	OPENING DIMENSIONS	INSIDE DIMENSIONS	VOLUME
A1	ROLL-UP	37.5" w X 30.8" h	40" w X 40" h X 31" d	28.7 CU. FT.

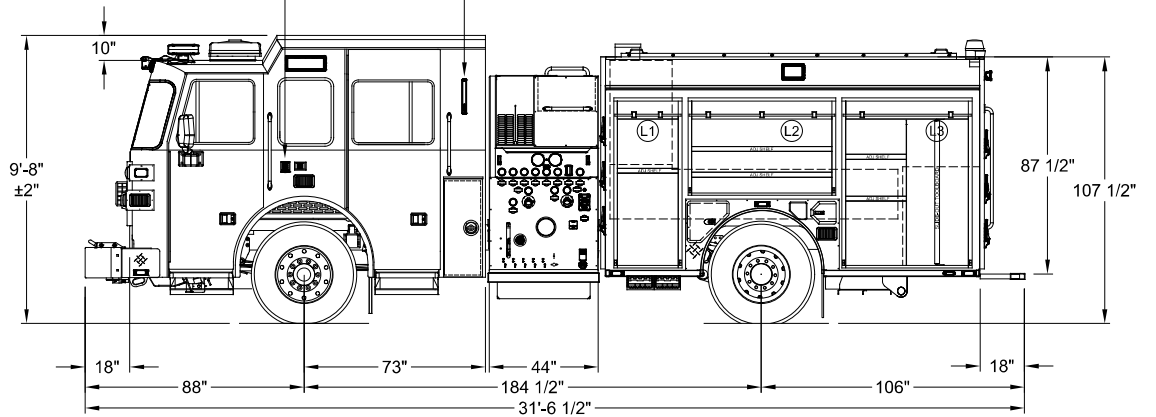
TOTAL: 228.1 CU.FT.



TWO-TONE CAB  
PAINT BREAK OPTION #1  
BLACK OVER RED

120V SHORELINE  
AUTO-EJECT

FRC MAXVISION LED  
WATER LEVEL



DIMENSIONS SHOWN ON THIS DRAWING ARE APPROXIMATE AND ARE SUBJECT TO MINOR DEVIATIONS DURING CONSTRUCTION.

**CUSTOMER APPROVAL**

NAME: \_\_\_\_\_  
TITLE: \_\_\_\_\_  
DATE: \_\_\_\_\_

REV.	DESCRIPTION	BY	DATE
N	REVISED THE SHOP ORDER ADDING 18" GRAB RAIL TO DRIVER'S SIDE DUNNAGE WALL	KG	01/21/21
M	REVISED THE CLAR NOTES FOR THE 120V OUTLET MOUNTING LOCATIONS	KG	12/03/21
L	REVISED THE CLAR NOTES FOR THE PIKE POLE STORAGE COMPARTMENT IN THE HOSEBED ADDED A DOOR	KG	11/29/21
K	REVISED THE CLAR NOTES AND DWG FOR THE REAR DOOR FOR THE UPPER COMPARTMENT	KG	11/02/21

DRAWN BY:  
K.GOON  
DATE:  
08/12/20  
MFG. FACILITY:  
DUBLIN



CUSTOM PUMPER - S1  
HS-6884 and HS-6942

THIS PRINT IS PROVIDED ON A RESTRICTED BASIS AND IS NOT TO BE USED IN ANY WAY DETRIMENTAL TO THE INTEREST OF SUTPHEN CORPORATION.