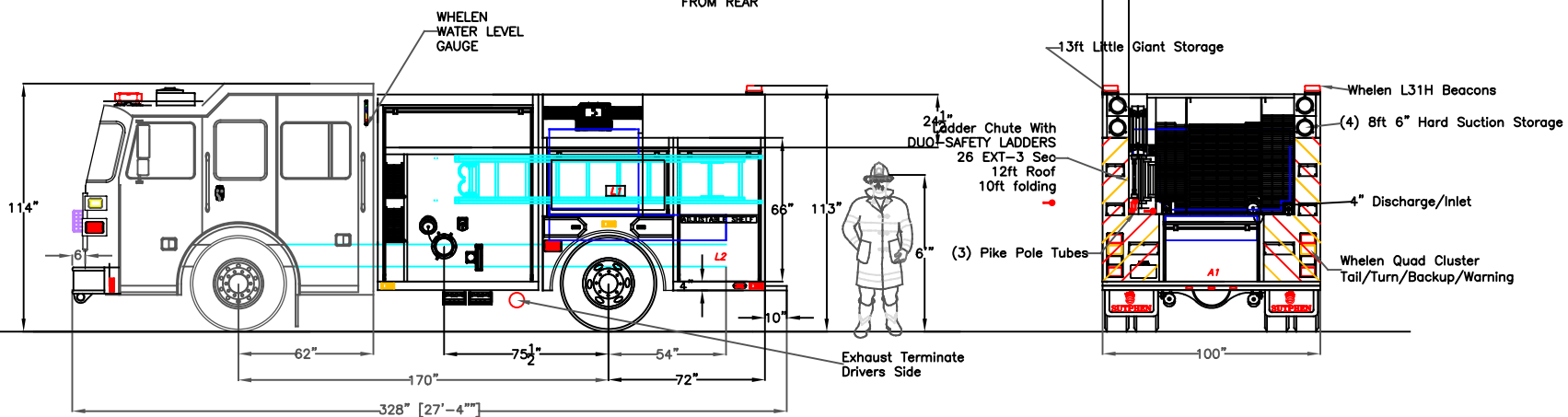


Left Side Compartmentation				
Comp	Doors	Opening Dimensions	Inside Dimensions	Volume
L1	Roll Up	56x25	66x39x18.25	125 CU FT
LE	Roll Up	38x26	42x66x4.25/18.25	193 CU FT
Right Side Compartmentation				
R1	Roll Up	56x25	66x39x18.25	125 CU FT
RE	Roll Up	38x26	42x66x4.25/18.25	193 CU FT
Right Side Compartmentation				
A1	Roll Up	44x4.25	48x38x6	18.8 CU FT
Total Volume				744 CU Ft

Hale Qmax 1500 single stage Water Tank Capacity 500 gal



DIMENSIONS SHOWN ON THIS DRAWING ARE APPROXIMATE AND ARE SUBJECT TO MINOR DEVIATIONS DURING CONSTRUCTION.	CUSTOMER APPROVAL	G	ADDED STOKES BASKET STORAGE AND 7 SCBA BOTTLES	SED	4-26-17	DRAWN BY: S.Dorfman	SUTPHEN EAST P.O. Box 16, 30 Sulphen Place WHITE LAKE, NY 12786 845-553-4720
		D	Change Roof Height and Other Options	SED	12-9-2016		
IN THE EVENT OF A DISCREPANCY BETWEEN THE SUTPHEN SPECIFICATIONS AND DRAWING, THE SUTPHEN SPECIFICATIONS SHALL PREVAIL.	NAME: _____	C	Change Body to Stainless, Move Pump Panel to Passenger Side	SED	11-30-2016	DATE: 10/12/2016	Hamburg Fire Dept. Hamburg, NJ
	TITLE: _____	B	Updated & added design concerns	AJS	10-26-2016	MPG FACILITY: SUTPHEN EAST WHITE LAKE, NY	
DRAWING IS FOR REFERENCE ONLY. SOME ITEMS PROPOSED MAY NOT BE SHOWN OR NOTED.	DATE: _____	REV.	DESCRIPTION	BY	DATE	MPG FACILITY: SUTPHEN EAST WHITE LAKE, NY	Custom Stainless Pumper

THIS PRINT IS PROVIDED ON A RESTRICTED BASIS AND IS NOT TO BE USED IN ANY WAY DETRIMENTAL TO THE INTEREST OF SUTPHEN CORPORATION.