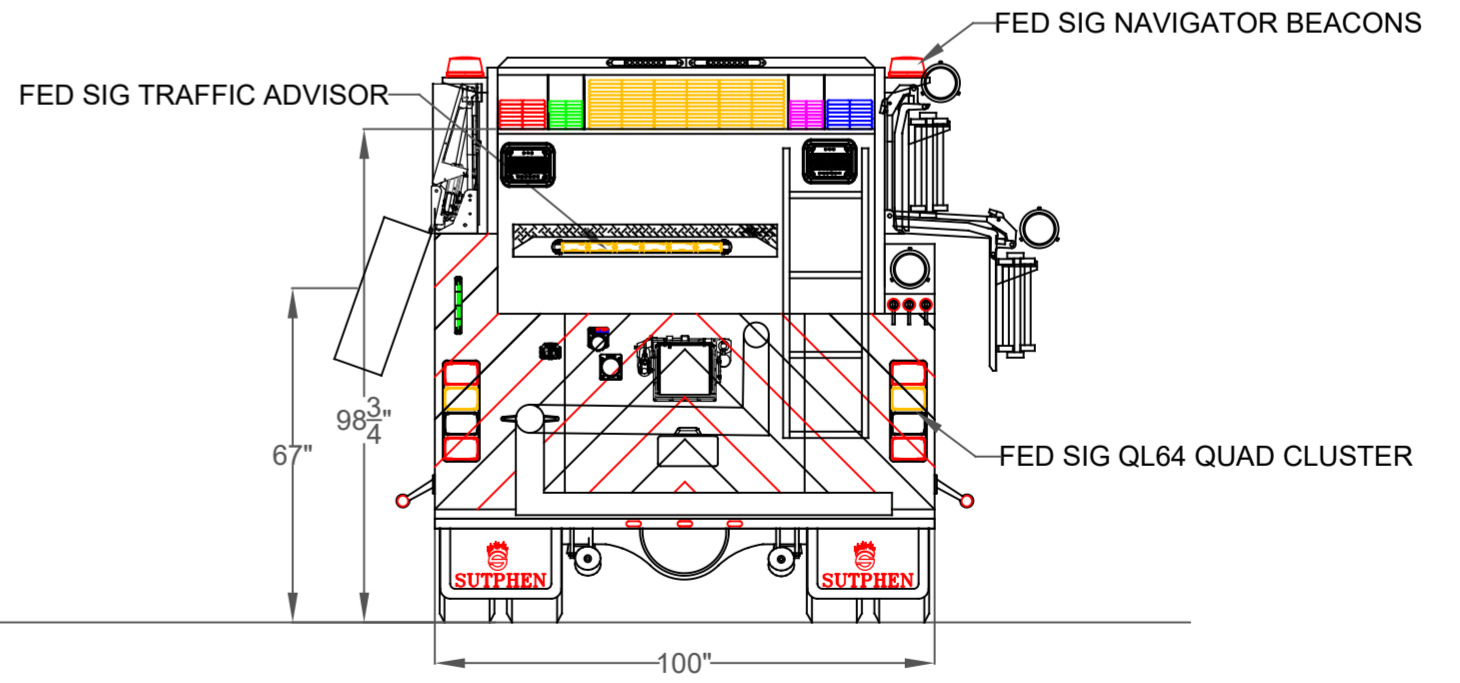
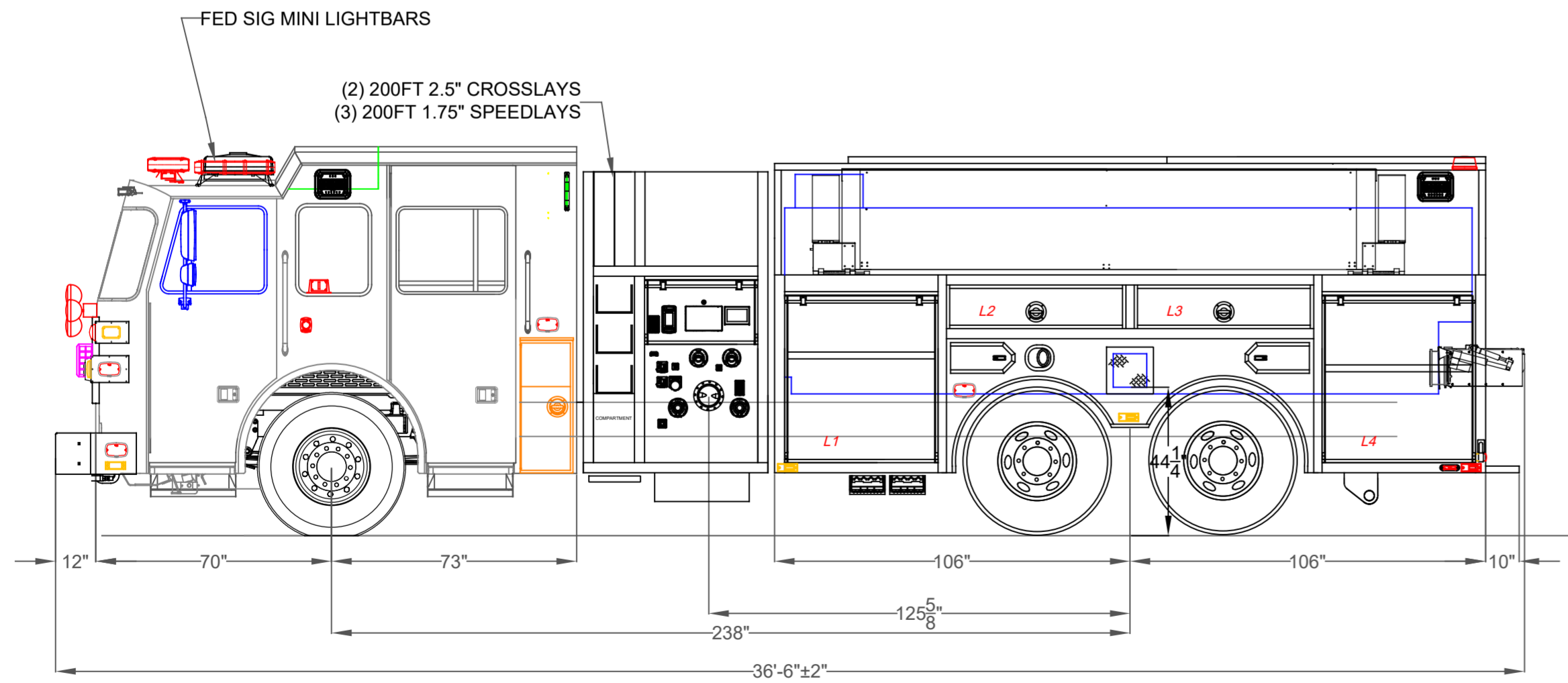


Left Side Compartmentation				
Compt	Doors	Opening Dimensions	Inside Dimensions	Volume
			WxHxD	
L1	Roll Up	43x45	50x55x24.25/10.25	32.5 CU FT
L2	Hinged	49x10	56x15x10.25	5.0 CU FT
L3	Hinged	49x10	56x15x10.25	5.0 CU FT
L4	Roll Up	43x45	50x55x24.25/10.25	32.5 CU FT
Right Side Compartmentation				
Compt	Doors	Opening Dimensions	Inside Dimensions	Volume
R1	Roll Up	43x29	50x39x24.25	27.4 CU FT
R2	Roll Up	43x29	50x39x24.25	27.4 CU FT

Hale Qmax XS 1500 single stage
 Water Tank Capacity 2500 gal
 Foam Tank Capacity 75 gal

Total Volume
 129.8 CU FT



DIMENSIONS SHOWN ON THIS DRAWING ARE APPROXIMATE AND ARE SUBJECT TO MINOR DEVIATIONS DURING CONSTRUCTION.

IN THE EVENT OF A DISCREPANCY BETWEEN THE SUTPHEN SPECIFICATIONS AND DRAWING, THE SUTPHEN SPECIFICATIONS SHALL PREVAIL.

DRAWING IS FOR REFERENCE ONLY. SOME ITEMS PROPOSED MAY NOT BE SHOWN OR NOTED.

CUSTOMER APPROVAL

NAME: _____

TITLE: _____

DATE: _____

REV.	DESCRIPTION	BY	DATE

THIS PRINT IS PROVIDED ON A RESTRICTED BASIS AND IS NOT TO BE USED IN ANY WAY DETRIMENTAL TO THE INTEREST OF SUTPHEN CORPORATION.

DRAWN BY: J. GORDON

DATE: 12/28/2020

MFG. FACILITY: SUTPHEN EAST LAKE ARIEL, PA

SUTPHEN EAST
 55 INNOVATION DRIVE
 LAKE ARIEL, PA
 1-844-776-2889

FREEBURG FIRE PROTECTION DISTRICT
 CITY, STATE

CUSTOM ALUMINUM DRYSIDE TANKER

DWG. NO.: HS 6922