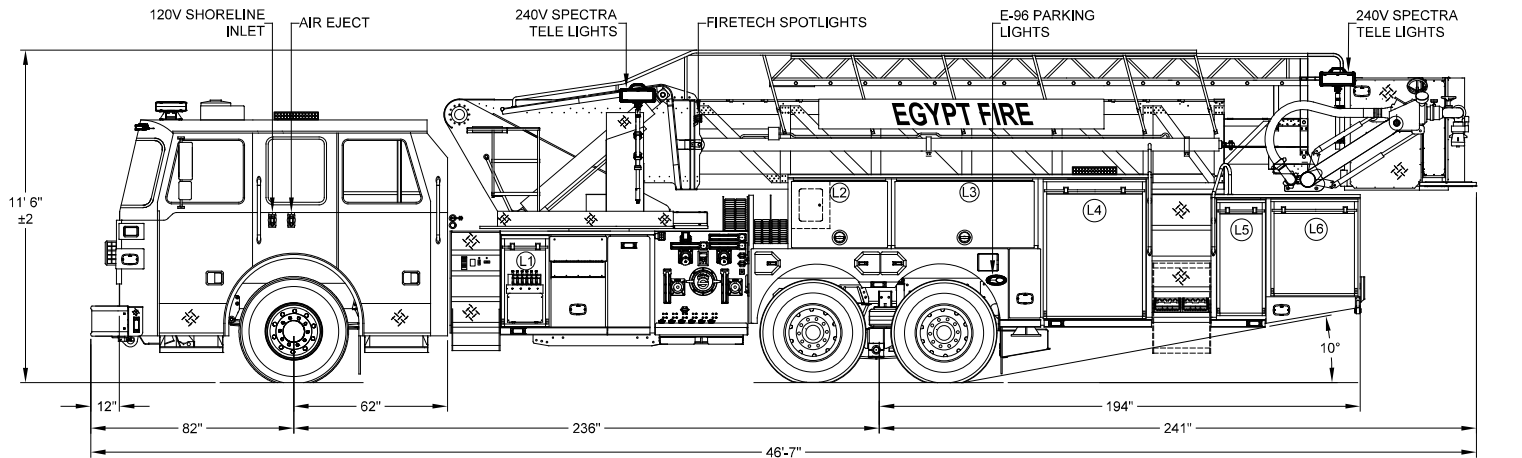
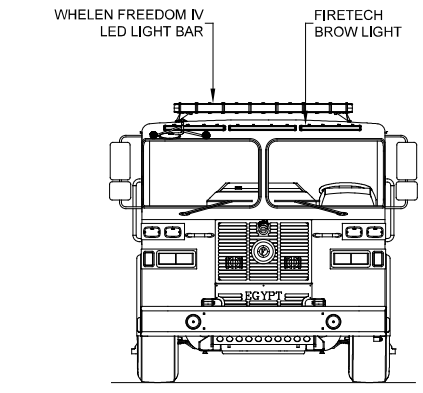
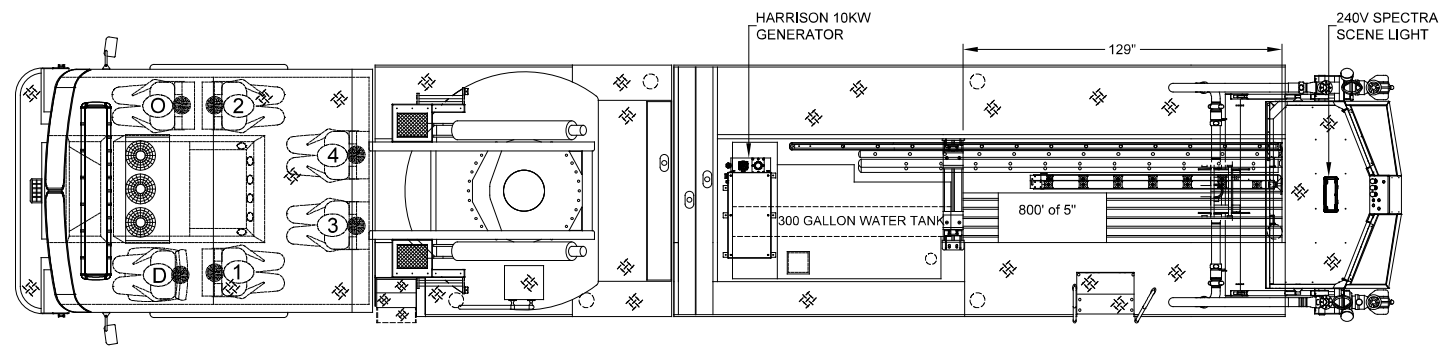
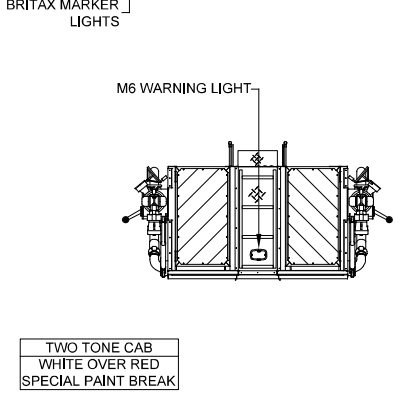


- LADDER CHUTE**
 (1) 10' FOLDING
 (1) 14' COMBO
 (1) 24' 2-SEC
 (1) 14' ROOF
 (1) 18' ROOF
 (1) 35' 2-SEC



DOOR OPENINGS			COMPARTMENT DIMENSIONS			DOOR OPENINGS			COMPARTMENT DIMENSIONS		
COMPT.	HEIGHT	WIDTH	HEIGHT	WIDTH	DEPTH	COMPT.	HEIGHT	WIDTH	HEIGHT	WIDTH	DEPTH
L1	31 13/16	13 7/16	38 1/2	20 5/16	19 7/8	R1	31 13/16	33 7/16	38 1/2	40	3 1/2 LOWER 10' 27 1/2 LOWER 28 1/2
L2	23	33 1/4	27 1/2	41 1/2	12 1/8	R2	15	33 1/4	19 1/2	41 1/2	26 1/2
L3	23	50 1/4	27 1/2	58	12 1/8	R3	15	50 1/4	19 1/2	58	26 1/2
L4	48 1/2	38 3/4	56 1/2	45 3/4	26 1/2	R4	40 1/2	38 3/4	48 1/2	45 3/4	26 1/2
L5	40 1/2	15 1/8	48 1/2	22	26 1/2	R5	40 1/2	38 3/4	48 1/2	45 3/4	26 1/2
L6	32 1/8	30 7/8	40 1/8	34 3/4	26 1/2	R6	32 1/8	30 7/8	40 1/8	34 3/4	26 1/2

DOOR OPENINGS			COMPARTMENT DIMENSIONS		
COMPT.	HEIGHT	WIDTH	HEIGHT	WIDTH	DEPTH
A1	9 1/8	24 1/2	9 7/8	26	88

TOTAL COMPARTMENT VOLUME - 247.23 CU.FT.

DIMENSIONS SHOWN ON THIS DRAWING ARE APPROXIMATE AND ARE SUBJECT TO MINOR DEVIATIONS DURING CONSTRUCTION.

IN THE EVENT OF A DISCREPANCY BETWEEN THE SUTPHEN SPECIFICATIONS AND DRAWING, THE SUTPHEN SPECIFICATIONS SHALL PREVAIL.

DRAWING IS FOR REFERENCE ONLY. SOME ITEMS PROPOSED MAY NOT BE SHOWN OR NOTED.

CUSTOMER APPROVAL

NAME: _____

TITLE: _____

DATE: _____

REV.	DESCRIPTION	BY	DATE
R	REV-R SHOP ORDER/REFERENCE SHOP ORDER CHANGE DOCUMENT ON SHARED DRIVE	JML	01/24/2022
Q	REV-Q SHOP ORDER/REFERENCE SHOP ORDER CHANGE DOCUMENT ON SHARED DRIVE	JML	01/10/2022
P	REV-P SHOP ORDER/REFERENCE SHOP ORDER CHANGE DOCUMENT ON SHARED DRIVE	JML	12/20/2021
O	REV-O SHOP ORDER/REFERENCE SHOP ORDER CHANGE DOCUMENT ON SHARED DRIVE	JML	12/03/2021

DRAWN BY: JLAMBERT
 DATE: 09/03/2020
 MFG. FACILITY: DUBLIN

**EGYPT FIRE DEPARTMENT
FAIRPORT, NY**

SPH100 AERIAL PLATFORM
 HS-6903