

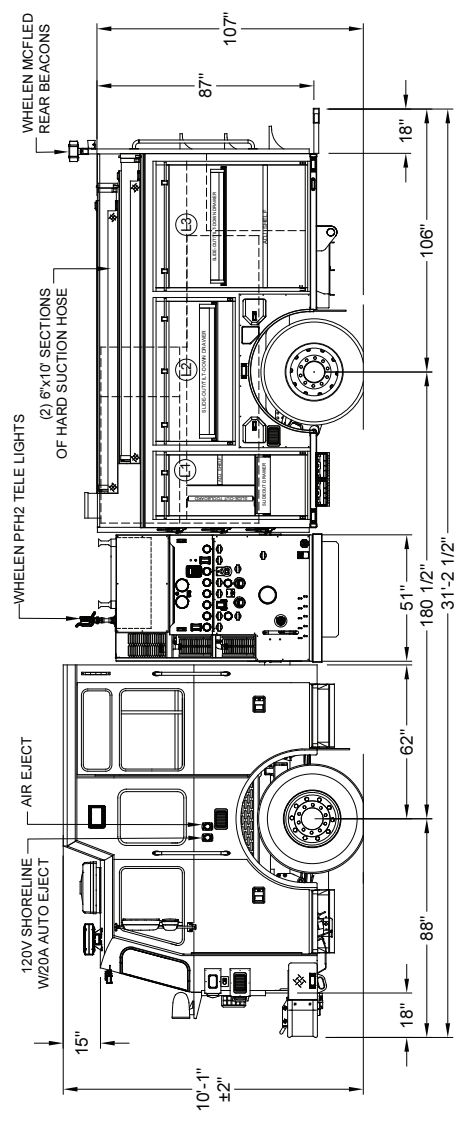
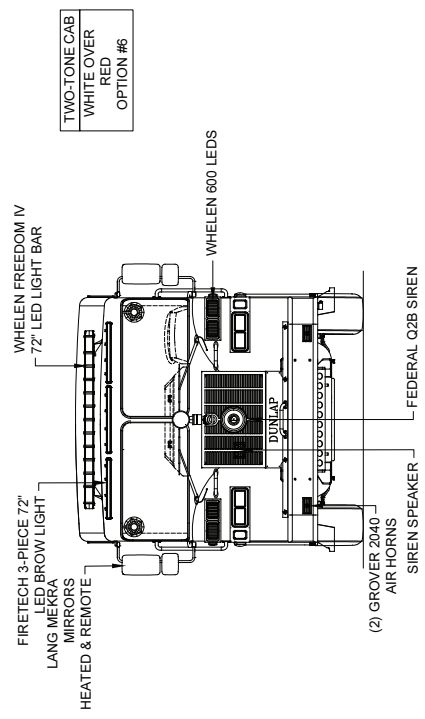
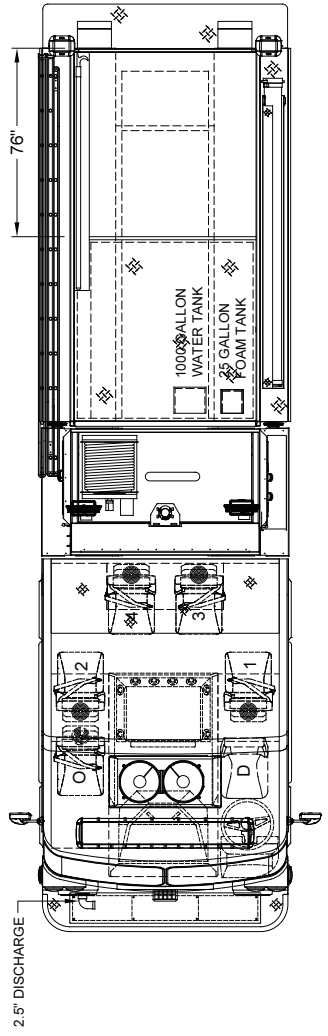
COMPT	DOORS	OPENING DIMENSIONS	INSIDE DIMENSIONS	VOLUME
L1	ROLL-UP	25.5"W X 57.4"H	31.1"W X 66.7"H X 27.3"D	167H X 10.5"D UPPER) 27.0 CU. FT.
L2	ROLL-UP	57.5"W X 28.2"H	61.6"W X 36.8"H X 27.3"D	25.0 CU. FT.
L3	ROLL-UP	50.5"W X 57.4"H	58.4"W X 66.7"H X 27.3"D	46.3 CU. FT.

COMPT	DOORS	OPENING DIMENSIONS	INSIDE DIMENSIONS	VOLUME
R1	ROLL-UP	25.5"W X 51.4"H	31.1"W X 66.7"H X 27.3"D	112H X 10.5"D UPPER) 25.9 CU. FT.
R2	ROLL-UP	57.5"W X 22.2"H	61.6"W X 30.8"H X 27.3"D	22.8 CU. FT.
R3	ROLL-UP	50.5"W X 51.4"H	58.4"W X 66.7"H X 27.3"D	44.4 CU. FT.

COMPT	DOORS	OPENING DIMENSIONS	INSIDE DIMENSIONS	VOLUME
AT	ROLL-UP	37.5"W X 32.8"H	40"W X 40"H X 31"D	28.1 CU. FT.
				<b>TOTAL: 220.1 CU. FT.</b>



**CUSTOMER APPROVAL**

NAME: \_\_\_\_\_

TITLE: \_\_\_\_\_

DATE: \_\_\_\_\_

**SUTPHEN**  
DUNLAP FIRE DEPARTMENT  
DUNLAP, TN

CUSTOM PUMPER - 84 LOW HOSEBED

DWG. NO. HS-886F-06

REV	DESCRIPTION	DATE	BY
E	COMPONENT REPORT UPDATED	06/18/21	MIC
D	COMPONENT REPORT UPDATED / POSITION 1 & 2 CHANGED TO PUSH-FULL CONTROLS	04/22/21	MIC
C	COMPONENT REPORT UPDATED	03/18/21	MIC
B	WHEELBASE AND OAL HAVE BEEN INCREASED BY 1/2" TO MATCH ENGINEERING MODEL	07/03/20	RM
A	DESCRIPTION	03/01/21	BY

DRAWN BY: M. CLARK  
DATE: 07/03/20  
MFG. FACILITY: DUBLIN

THIS PRINT IS PROVIDED ON A RESTRICTED BASIS AND IS NOT TO BE USED IN ANY WAY DETRIMENTAL TO THE INTEREST OF SUTPHEN CORPORATION.