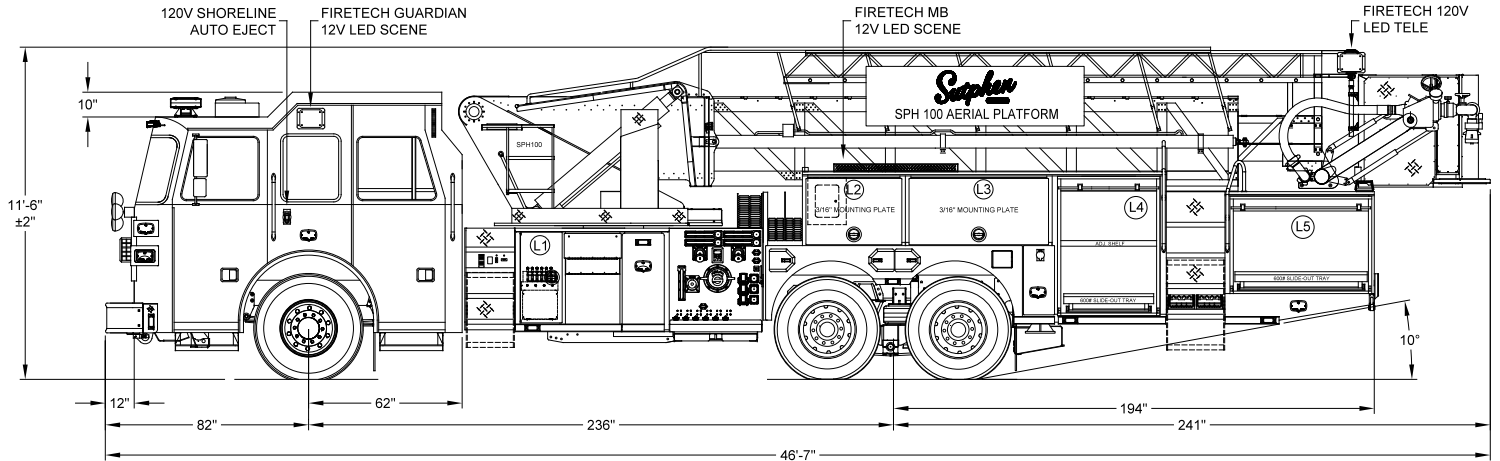
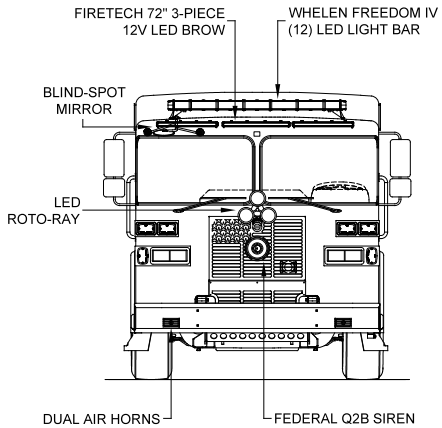


TWO-TONE CAB PAINT
WHITE OVER RED



DOOR OPENINGS			COMPARTMENT DIMENSIONS		
COMPT.	HEIGHT	WIDTH	HEIGHT	WIDTH	DEPTH
L1	34 1/16	13 7/16	38 1/2	20 5/16	27 1/2
L2	23	33 1/4	27 1/2	41 1/2	12 1/8
L3	23	50 1/4	27 1/2	58	12 1/8
L4	48 1/2	38 3/4	56 1/2	45 3/4	26 1/2
L5	32 1/8	46	40 1/8	56 3/4	26 1/2

DOOR OPENINGS			COMPARTMENT DIMENSIONS		
COMPT.	HEIGHT	WIDTH	HEIGHT	WIDTH	DEPTH
R1	31 13/16	33 7/16	38 1/2	40	27 1/2
R2	23	33 1/4	27 1/2	41 1/2	26 1/2
R3	23	50 1/4	27 1/2	58	26 1/2
R4	48 1/2	38 3/4	56 1/2	45 3/4	26 1/2
R5	48 1/2	38 3/4	56 1/2	45 3/4	26 1/2
R6	32 1/8	30 7/8	40 1/8	34 3/4	26 1/2

DOOR OPENINGS			COMPARTMENT DIMENSIONS		
COMPT.	HEIGHT	WIDTH	HEIGHT	WIDTH	DEPTH
A1	9 1/8	24 1/2	9 7/8	26	88

TOTAL COMPARTMENT VOLUME - 280.66 CU. FT.

DIMENSIONS SHOWN ON THIS DRAWING ARE APPROXIMATE AND ARE SUBJECT TO MINOR DEVIATIONS DURING CONSTRUCTION.

IN THE EVENT OF A DISCREPANCY BETWEEN THE SUTPHEN SPECIFICATIONS AND DRAWING, THE SUTPHEN SPECIFICATIONS SHALL PREVAIL.

DRAWING IS FOR REFERENCE ONLY. SOME ITEMS PROPOSED MAY NOT BE SHOWN OR NOTED.

CUSTOMER APPROVAL

NAME: _____

TITLE: _____

DATE: _____

REV	DESCRIPTION	BY	DATE
G	POST-PRODUCTION REVISION TO REFLECT FINAL PRODUCT	RM	02/10/20
F	DEMO UNIT SOLD TO PAINESVILLE OHIO - LIST OF CUSTOMER CHANGES AVAILABLE ON SO CHANGE SUMMARY ON SHARED	RM	01/21/20
E	MINOR CLARIFICATIONS - SEE SO REVISION EMAIL OR CHANGE SUMMARY ON SHARED	RM	11/19/19
D	PLATFORM TELE AND SCENE LIGHT CLARIFICATIONS	RM	09/28/19

DRAWN BY:
R MILLER

DATE:
05/11/19

MFG. FACILITY:
DUBLIN

DEMO 469

SPH100 AERIAL PLATFORM

HS-6568