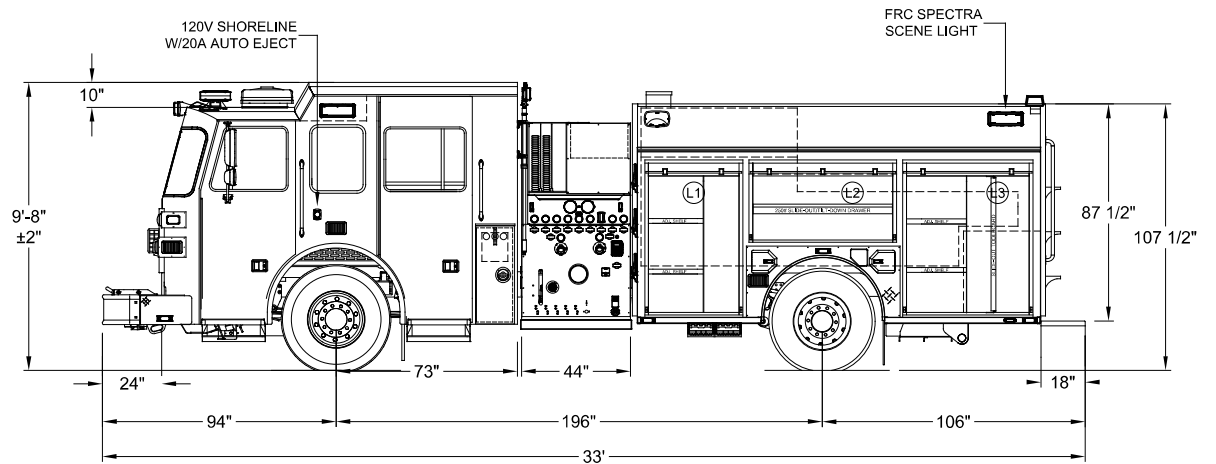
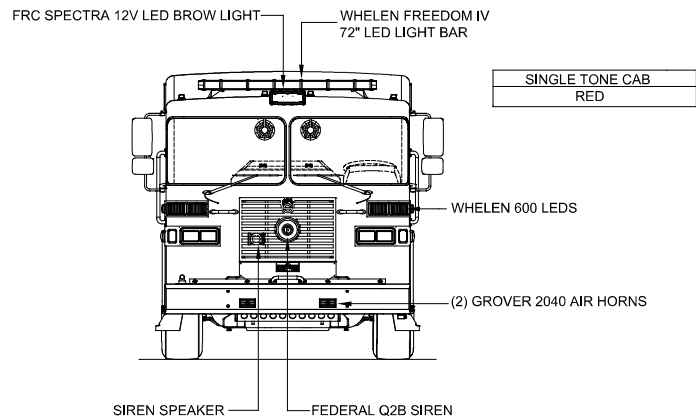
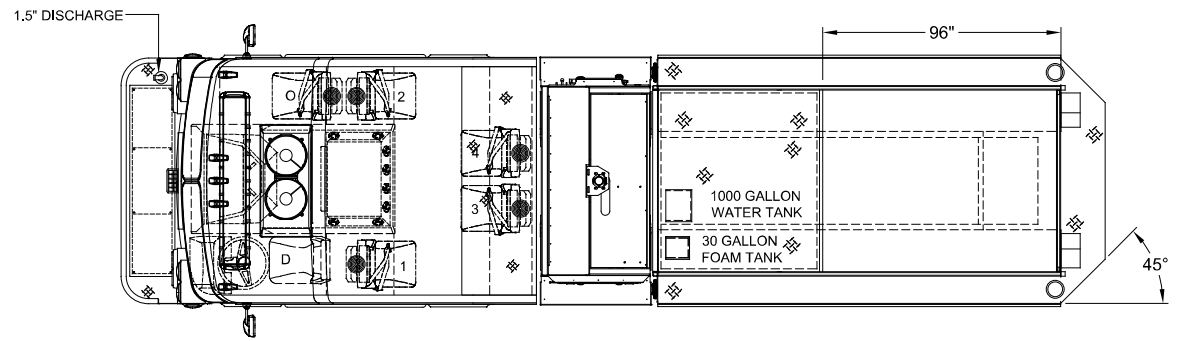


LEFT SIDE COMPARTMENTS				
COMPT	DOORS	OPENING DIMENSIONS	INSIDE DIMENSIONS	VOLUME
L1	ROLL-UP	37.5" W X 57.4" H	43.1" W X 66" H X 27.3" D	40.8 CU. FT. (18" H X 10.5" D UPPER)
L2	ROLL-UP	57.5" W X 28.2" H	61.6" W X 36.8" H X 27.3" D	29.8 CU. FT. (18" H X 10.5" D UPPER)
L3	ROLL-UP	50.5" W X 57.4" H	53.4" W X 66" H X 27.3" D	50.5 CU. FT. (18" H X 10.5" D UPPER)

RIGHT SIDE COMPARTMENTS				
COMPT	DOORS	OPENING DIMENSIONS	INSIDE DIMENSIONS	VOLUME
R1	ROLL-UP	37.5" W X 57.4" H	43.1" W X 66" H X 27.3" D	31.1 CU. FT. (33" H X 10.5" D UPPER)
R2	ROLL-UP	57.5" W X 28.2" H	61.6" W X 36.8" H X 10.5" D	13.8 CU. FT. (33" H X 10.5" D UPPER)
R3	ROLL-UP	50.5" W X 57.4" H	53.4" W X 66" H X 27.3" D	38.6 CU. FT. (33" H X 10.5" D UPPER)

REAR STEP COMPARTMENT				
COMPT	DOORS	OPENING DIMENSIONS	INSIDE DIMENSIONS	VOLUME
A1	ROLL-UP	37.5" W X 25.8" H	40" W X 33" H X 31" D	23.7 CU. FT.
TOTAL: 228.3 CU. FT.				



DIMENSIONS SHOWN ON THIS DRAWING ARE APPROXIMATE AND ARE SUBJECT TO MINOR DEVIATIONS DURING CONSTRUCTION.

IN THE EVENT OF A DISCREPANCY BETWEEN THE SUTPHEN SPECIFICATIONS AND DRAWING, THE SUTPHEN SPECIFICATIONS SHALL PREVAIL.

DRAWING IS FOR REFERENCE ONLY. SOME ITEMS PROPOSED MAY NOT BE SHOWN OR NOTED.

CUSTOMER APPROVAL

NAME: _____

TITLE: _____

DATE: _____

REV.	DESCRIPTION	BY	DATE	MFG. FACILITY:	DUBLIN
I	UPDATED THE WATER TANK ON THE DWG TO SHOW	KMG	09/08/21	DATE:	10/27/20
H	ADDED ADDITIONAL 3-WAY SWITCHING FOR THE SCENE LIGHTS	KMG	09/08/21	DRAWN BY:	KMG
G	ADDED (1) EACH TURTLE TILE TO L3, R1, R3, A1	KMG	08/16/21		
F	DELETED THE SPECIAL ITEM FOR THE CROSSLAY COMPARTMENT	KMG	07/29/21		

THIS PRINT IS PROVIDED ON A RESTRICTED BASIS AND IS NOT TO BE USED IN ANY WAY DETRIMENTAL TO THE INTEREST OF SUTPHEN CORPORATION.

ELYRIA, OH (DEMO 499)
MIDWEST

CUSTOM PUMPER - S2
HS-6933