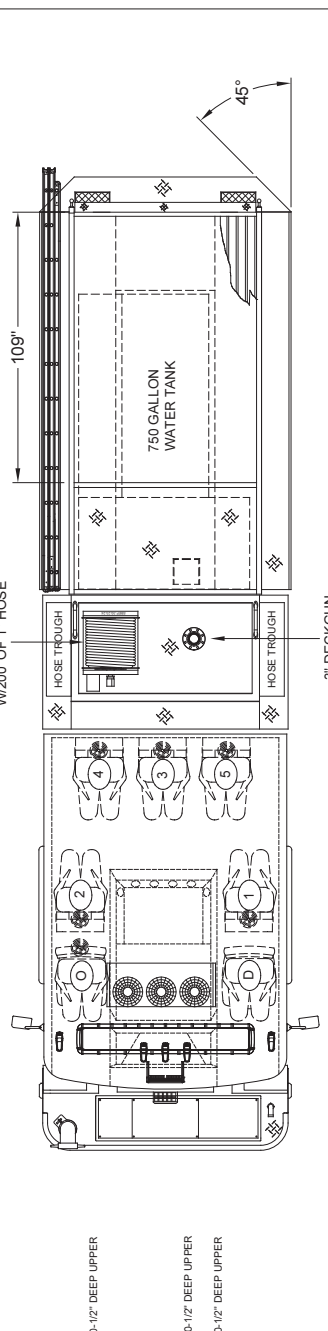
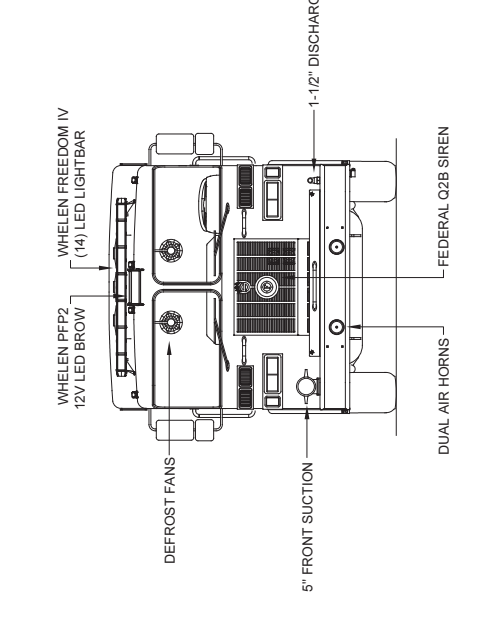
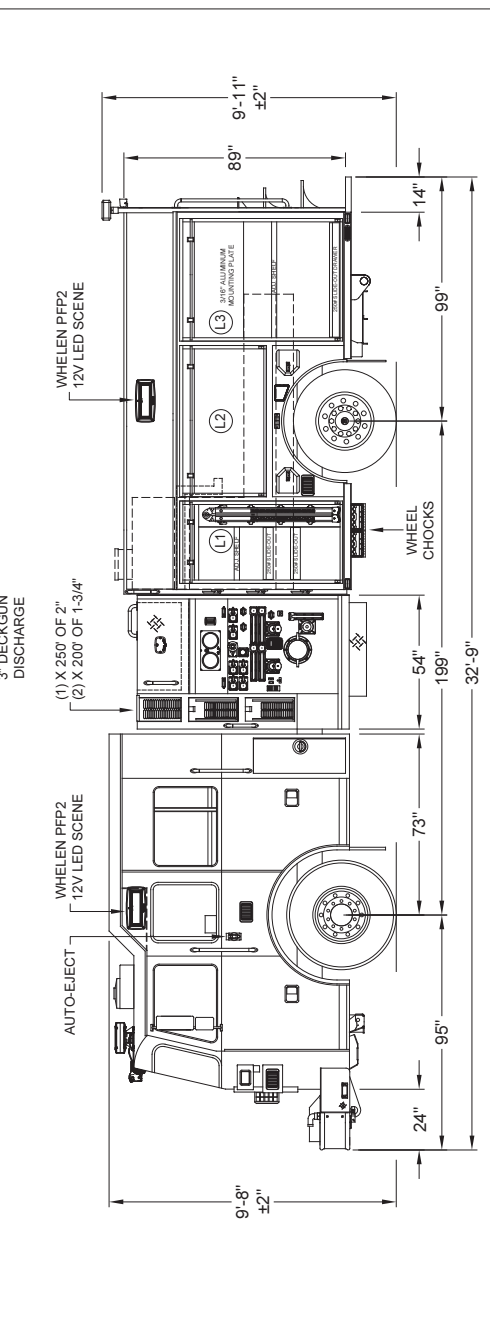


COMP	DOORS	OPENING DIMENSIONS	INSIDE DIMENSIONS	VOLUME
L1	ROLL UP	30\"/>		



COMP	DOORS	OPENING DIMENSIONS	INSIDE DIMENSIONS	VOLUME
A1	ROLL UP	37\"/>		



CUSTOMER APPROVAL

DIMENSIONS SHOWN ON THIS DRAWING ARE APPROXIMATE AND ARE SUBJECT TO MINOR DEVIATIONS DURING CONSTRUCTION.
 IN THE EVENT OF A DISCREPANCY BETWEEN THE SUTPHEN SPECIFICATIONS AND DRAWING, THE SUTPHEN SPECIFICATIONS SHALL PREVAIL.
 DRAWING IS FOR REFERENCE ONLY. SOME ITEMS PROPOSED MAY NOT BE SHOWN OR NOTED.

NAME: _____
 TITLE: _____
 DATE: _____

POST-PRODUCTION REVISION TO REFLECT FINAL PRODUCT
 CUSTOM SLIDE-OUT ADDED TO R3 : R3 ADJUSTABLE SHELF MADE SHALLOW ; SHORLINE OUTLET ADDED TO L3 AND R3
 DIVIDER /WALL ADDED BETWEEN R3 AND A1 TO MAKE THEM INDIVIDUAL COMPARTMENTS
 DETAILS AND DIMENSIONS ADDED FOR CUSTOMER SUPPLIED KNOX BOX AND REMOTE RADIO HEAD

REV	DESCRIPTION	DATE	BY
E	DETAILS AND DIMENSIONS ADDED FOR CUSTOMER SUPPLIED KNOX BOX AND REMOTE RADIO HEAD	07/06/18	RM
F	DIVIDER /WALL ADDED BETWEEN R3 AND A1 TO MAKE THEM INDIVIDUAL COMPARTMENTS	11/02/18	RM
G	CUSTOM SLIDE-OUT ADDED TO R3 : R3 ADJUSTABLE SHELF MADE SHALLOW ; SHORLINE OUTLET ADDED TO L3 AND R3	12/05/18	RM
H	POST-PRODUCTION REVISION TO REFLECT FINAL PRODUCT	01/10/19	RM

DRAWN BY: R. MILLER
 DATE: 01/17/18
 MFG FACILITY: DUBLIN
 DATE: _____
 BY: _____

THIS PRINT IS PROVIDED ON A RESTRICTED BASIS AND IS NOT TO BE USED IN ANY WAY DETRIMENTAL TO THE INTEREST OF SUTPHEN CORPORATION.
 HS-6174

SUTPHEN
 VERDYO FIRE DEPARTMENT
 LATHAM, NEW YORK
 CUSTOM PUMPER - PA-08 BODY