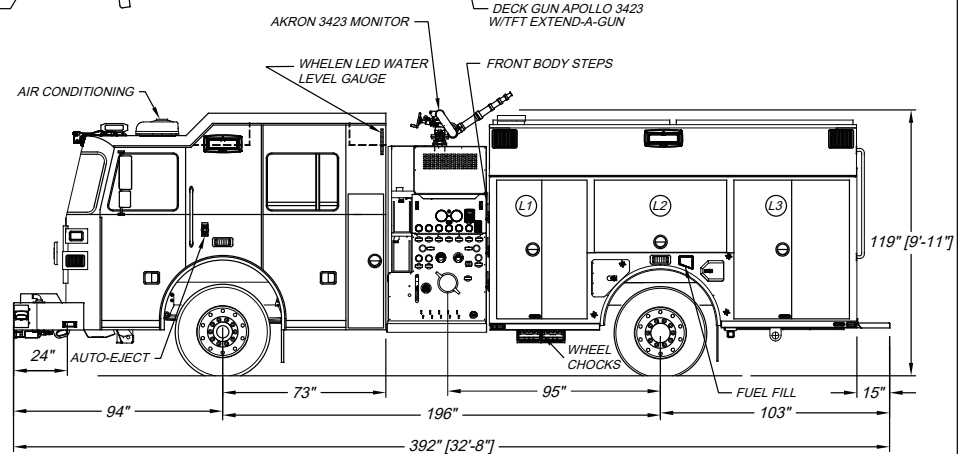
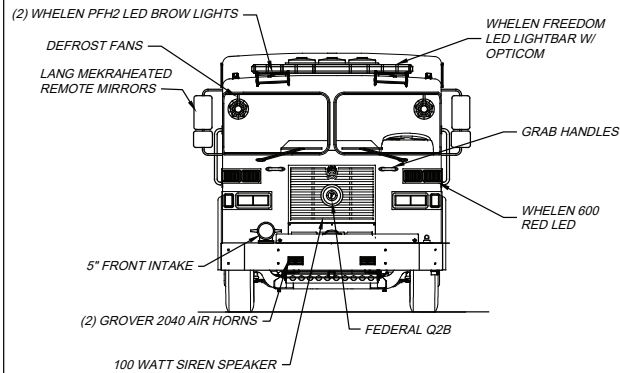
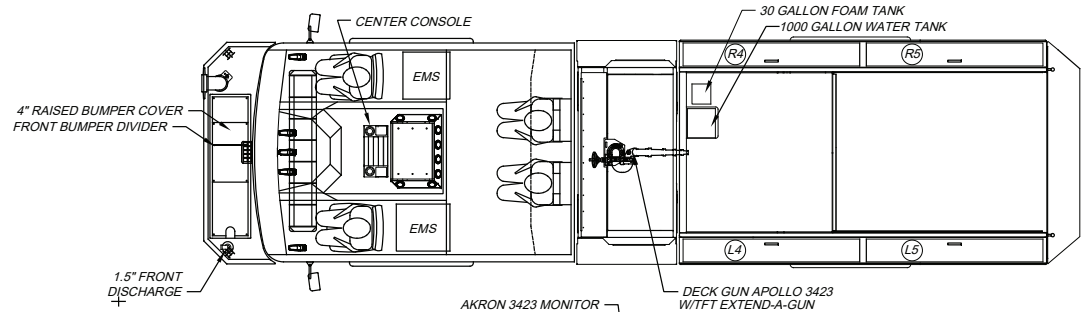


LEFT SIDE COMPARTMENTATION				
COMPT	DOORS	INSIDE DIMENSIONS	DOOR OPENING DIMENSIONS	VOLUME
L1	DOUBLE	40"W X 66"H X 26"D		37.4 CU. FT.
L2	LIFT-UP	59"W X 31 1/2"H X 26"D		28.4 CU. FT.
L3	DOUBLE	51 1/2"W X 66"H X 26"D		47.4 CU. FT.
L4/L5	LIFT-UP	82"W X 13.5"H X 19"D	75"W X 9.5"H	24 CU. FT.

RIGHT SIDE COMPARTMENTATION				
COMPT	DOORS	INSIDE DIMENSIONS	DOOR OPENING DIMENSIONS	VOLUME
R1	DOUBLE	40"W X 66"H X 26"D		37.4 CU. FT.
R2	LIFT-UP	59"W X 31 1/2"H X 26"D		28.4 CU. FT.
R3	DOUBLE	51 1/2"W X 66"H X 26"D		47.4 CU. FT.
L4/L5	LIFT-UP	82"W X 13.5"H X 19"D	75"W X 9.5"H	24 CU. FT.

REAR STEP COMPARTMENT				
COMPT	DOORS	INSIDE DIMENSIONS	DOOR OPENING DIMENSIONS	VOLUME
A1	ROLL-UP	39 1/2"W X 28"H X 31"D	36 3/4"W X 19"H	19.8 CU. FT.

BASE STORAGE: 248 CU. FT.
TOTAL STORAGE: 294 CU. FT.



DIMENSIONS SHOWN ON THIS DRAWING ARE APPROXIMATE AND ARE SUBJECT TO MINOR DEVIATIONS DURING CONSTRUCTION.

IN THE EVENT OF A DISCREPANCY BETWEEN THE SUTPHEN SPECIFICATIONS AND DRAWING, THE SUTPHEN SPECIFICATIONS SHALL PREVAIL.

DRAWING IS FOR REFERENCE ONLY. SOME ITEMS PROPOSED MAY NOT BE SHOWN OR NOTED.

CUSTOMER APPROVAL							
NAME:							
TITLE:		A	UPDATED TO MATCH SHOP ORDER REV A	AA	9/8/2020		
DATE:		REV.	DESCRIPTION	BY	DATE		

DRAWN BY: A.ALEXANDER
DATE: 7/17/2020
MFG FACILITY: URBANA PUMPER DIVISION

SUTPHEN
DELTA TOWNSHIP
DELTA TOWNSHIP LANESING, MI
PROGRAM 1 CUSTOM PUMPER
P/WG NO: HS-8820

THIS PRINT IS PROVIDED ON A RESTRICTED BASIS AND IS NOT TO BE USED IN ANY WAY DETRIMENTAL TO THE INTEREST OF SUTPHEN CORPORATION.