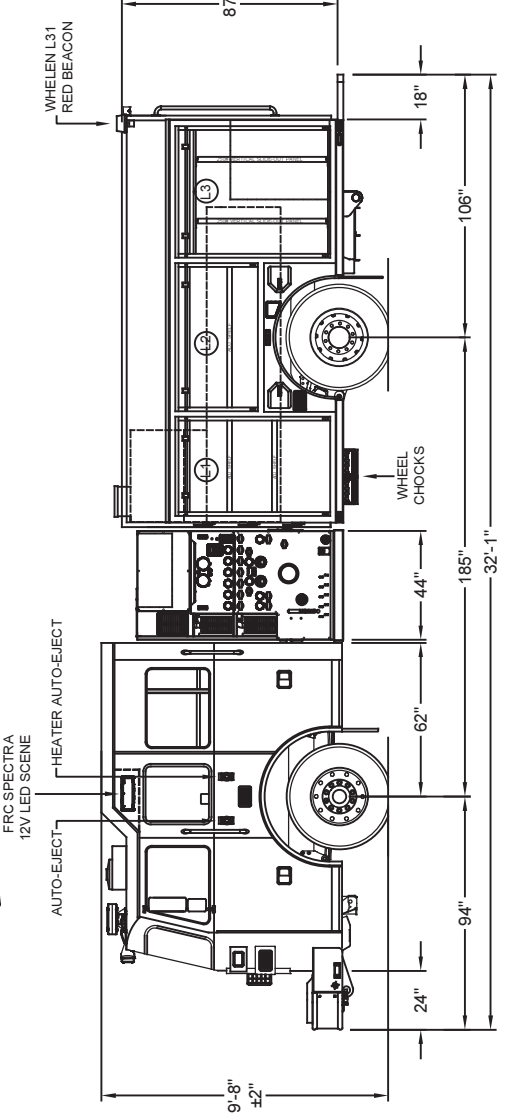
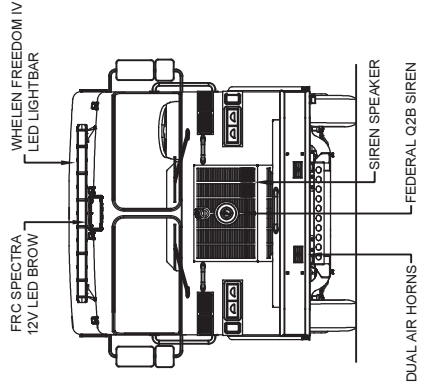
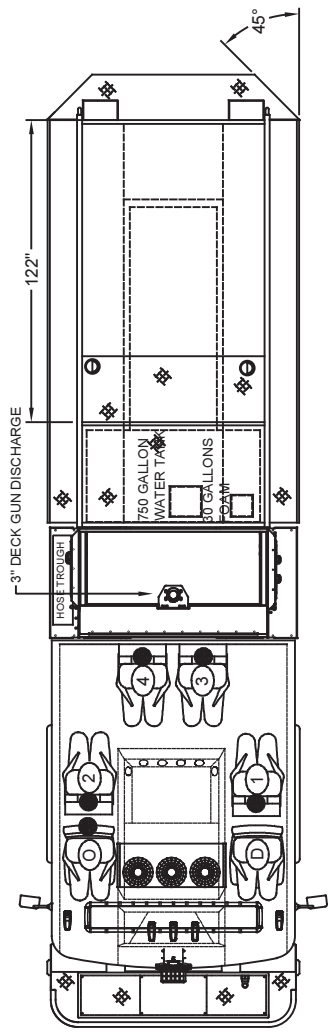


**EXACT COMPARTMENT DIMENSIONS TBD PER ENGINEERING FOR LOW HOSEBED MODIFICATIONS**

LEFT SIDE COMPARTMENTATION		
COMP.	DOORS	VOLUME
L1	ROLLUP	40 CU. FT.
L2	ROLLUP	30 CU. FT.
L3	ROLLUP	52 CU. FT.
RIGHT SIDE COMPARTMENTATION		
COMP.	DOORS	VOLUME
R1	ROLLUP	26 CU. FT.
R2	ROLLUP	13 CU. FT.
R3	ROLLUP	34 CU. FT.
REAR STEP COMPARTMENTS		
COMP.	DOORS	VOLUME
A1	ROLLUP	27 CU. FT.
<b>TOTAL: 222 CU. FT.</b>		



TWO-TONE CAB PAINT  
PAINT BREAK OPTION #1  
BLACK OVER CRIMSON

<b>CUSTOMER APPROVAL</b>		<b>SUTPHEN</b>	
DIMENSIONS SHOWN ON THIS DRAWING ARE APPROXIMATE AND ARE SUBJECT TO MINOR DEVIATIONS DURING CONSTRUCTION.		DRAWN BY: J.MORGAN	HS-6349 DEMO 457 (NORTHEAST DEMO)
IN THE EVENT OF A DISCREPANCY BETWEEN THE SUTPHEN SPECIFICATIONS AND DRAWING, THE SUTPHEN SPECIFICATIONS SHALL PREVAIL.		DATE: 03/04/19	DUBLIN, OHIO
DRAWING IS FOR REFERENCE ONLY. SOME ITEMS PROPOSED MAY NOT BE SHOWN OR NOTED.		DATE: 09/07/18	CUSTOM PUMPER - S2 BODY
		DATE: 06/20/18	HS-6349