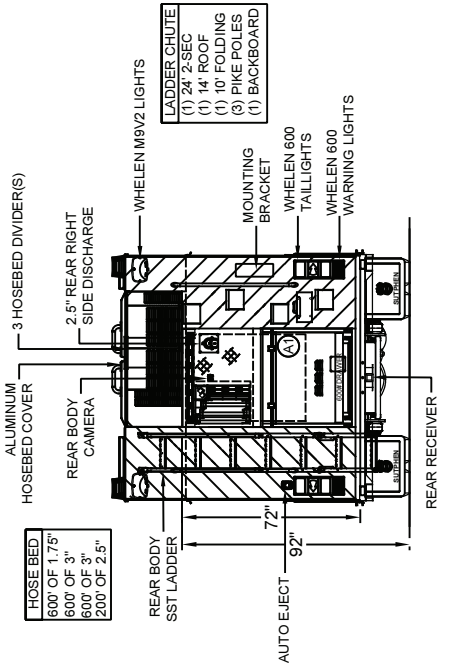
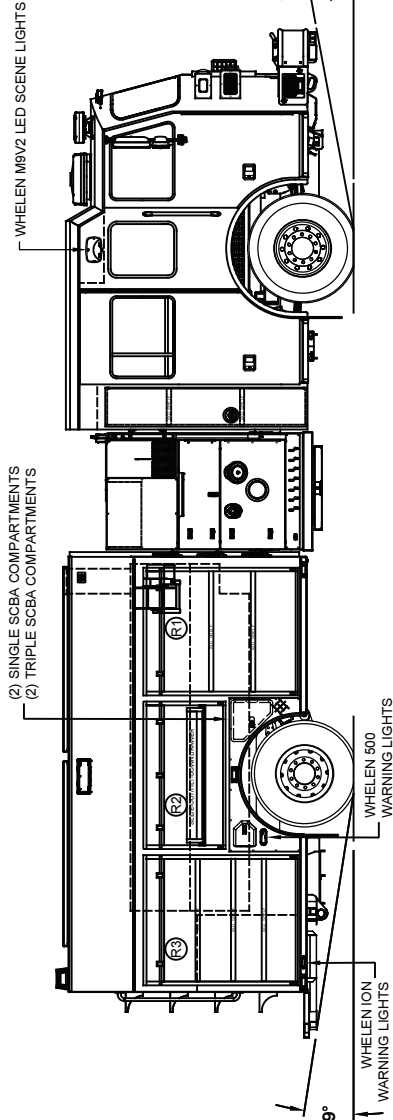


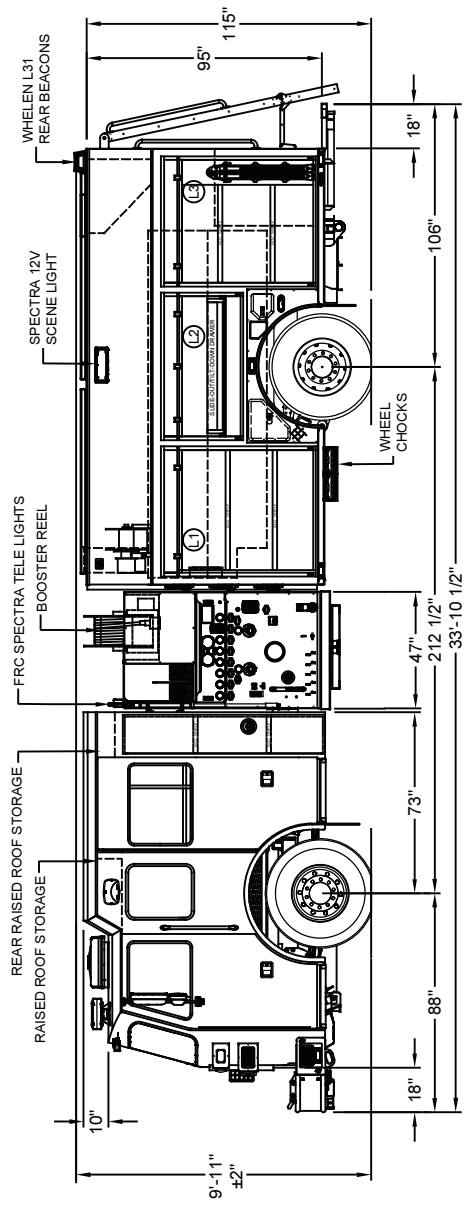
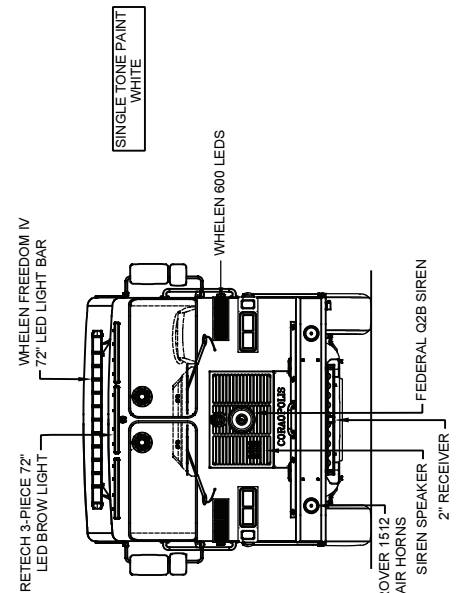
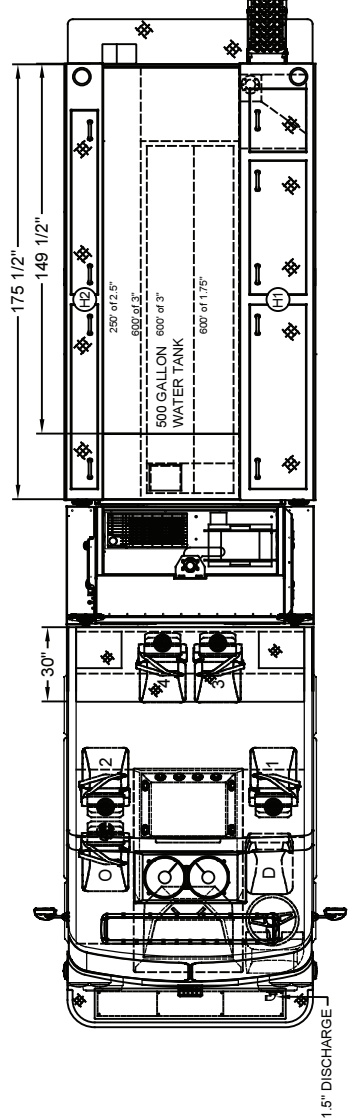
HOSE BED
600' OF 1.75"
600' OF 3"
600' OF 3"
200' OF 2.5"



LADDER CHUTE
(1) 24" 2-SEC
(1) 14" ROOF
(1) 10" FOLDING
(3) PIKE POLES
(1) BACKBOARD



COMP	DOORS	OPENING DIMENSIONS	INSIDE DIMENSIONS	VOLUME
L1	ROLL-UP	50.5"W X 55.4"H	56.1"W X 66.7"H X 27.3"D	53.1 CU. FT.
L2	ROLL-UP	57.5"W X 26.2"H	61.6"W X 36.8"H X 27.3"D	29.8 CU. FT.
L3	ROLL-UP	50.5"W X 55.4"H	59.4"W X 66.7"H X 27.3"D	50.5 CU. FT.
H1	LIFT-UP	(2) 23.25"W X 73.25"H	17.4.7"W X 24.8"H X 29.2"D	73.2 CU. FT.
RIGHT SIDE COMPARTMENTS				
COMP	DOORS	OPENING DIMENSIONS	INSIDE DIMENSIONS	VOLUME
R1	ROLL-UP	50.5"W X 55.4"H	56.1"W X 66.7"H X 27.3"D	53.1 CU. FT.
R2	ROLL-UP	57.5"W X 26.2"H	61.6"W X 36.8"H X 27.3"D	29.8 CU. FT.
R3	ROLL-UP	50.5"W X 55.4"H	59.4"W X 66.7"H X 27.3"D	50.5 CU. FT.
H2	LIFT-UP	(2) 19.25"W X 73.25"H	17.4.7"W X 24.8"H X 14.2"D	35.6 CU. FT.
REAR STEP COMPARTMENT				
COMP	DOORS	OPENING DIMENSIONS	INSIDE DIMENSIONS	VOLUME
AT	ROLL-UP	37.5"W X 35.3"H	40.7"W X 47.7"H X 37.3"D	39.7 CU. FT.
TOTAL: 402.3 CU.FT.				



CUSTOMER APPROVAL

DIMENSIONS SHOWN ON THIS DRAWING ARE APPROXIMATE AND ARE SUBJECT TO MINOR DEVIATIONS DURING CONSTRUCTION.

IN THE EVENT OF A DISCREPANCY BETWEEN THE SUTPHEN SPECIFICATIONS AND DRAWING, THE SUTPHEN SPECIFICATIONS SHALL PREVAIL.

DRAWING IS FOR REFERENCE ONLY. SOME ITEMS PROPOSED MAY NOT BE SHOWN OR NOTED.

NAME: _____ TITLE: _____ DATE: _____

F	COMPONENT REPORT UPDATED / RELOCATED PUMP PANEL MONITOR / ADDED SHELF IN R3	MJC	04/11/22	DRAWN BY:	M. CLARK
E	COMPONENT REPORT UPDATED	MJC	03/04/22	DATE	11/19/20
D	WHEELBASE CLARIFIED PER DUBLIN ENGINEERING	RM	06/07/21	MFG. FACILITY:	DUBLIN
C	COMPONENT REPORT UPDATED	MJC	04/05/21	DATE	
REV.	DESCRIPTION	BY	DATE		

THIS PRINT IS PROVIDED ON A RESTRICTED BASIS AND IS NOT TO BE USED IN ANY WAY DETRIMENTAL TO THE INTEREST OF SUTPHEN CORPORATION.

HS-8847

SUTPHEN
CORAOPOLIS FIRE COMPANY
CORAOPOLIS, PA