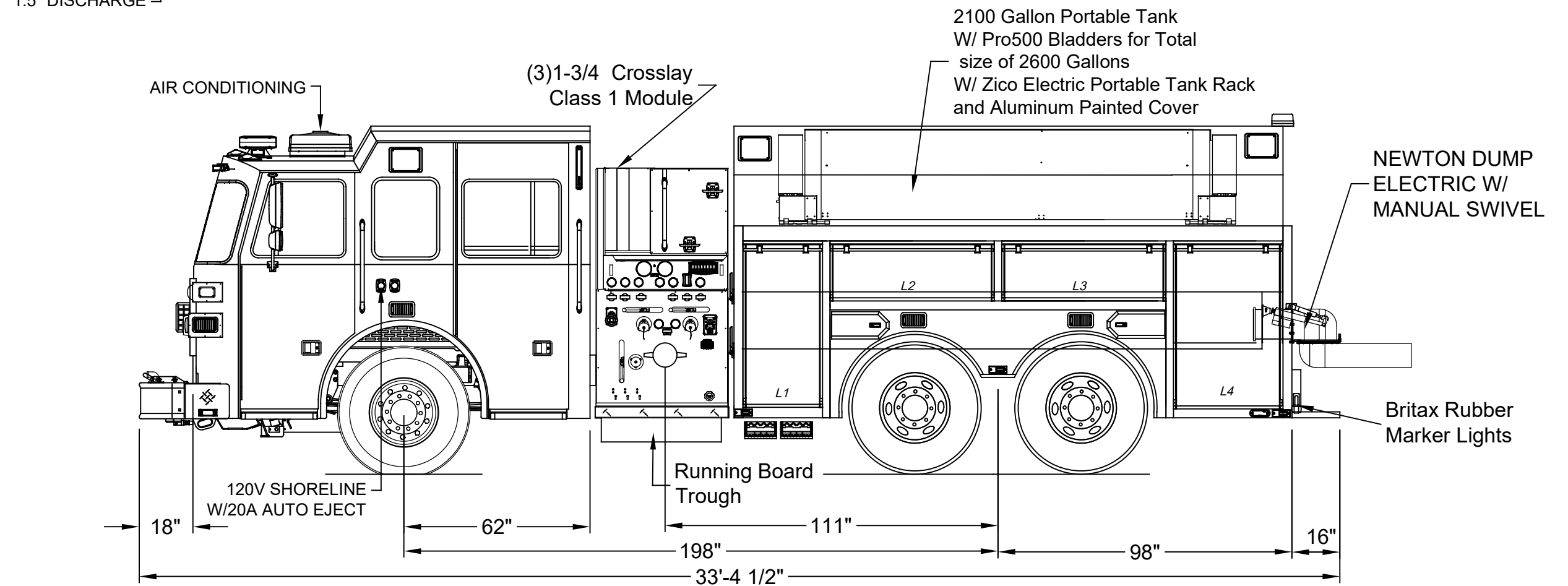
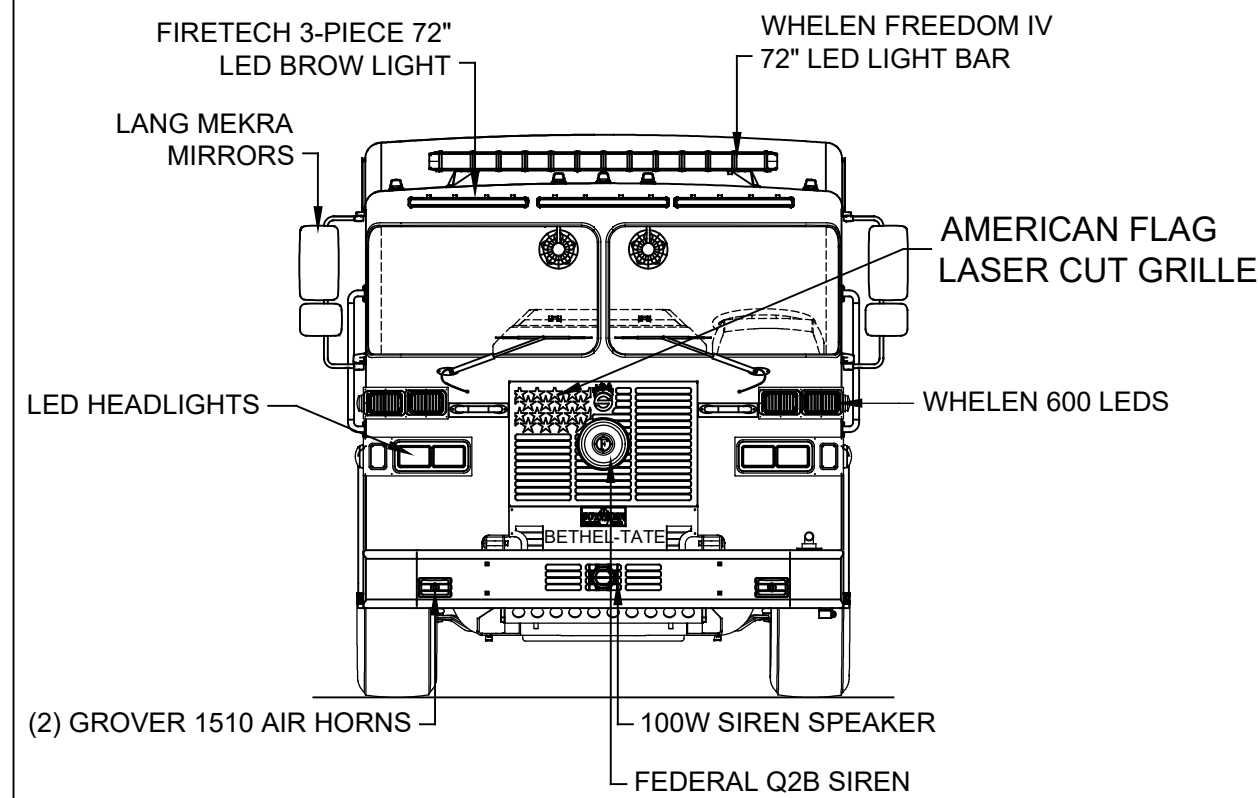
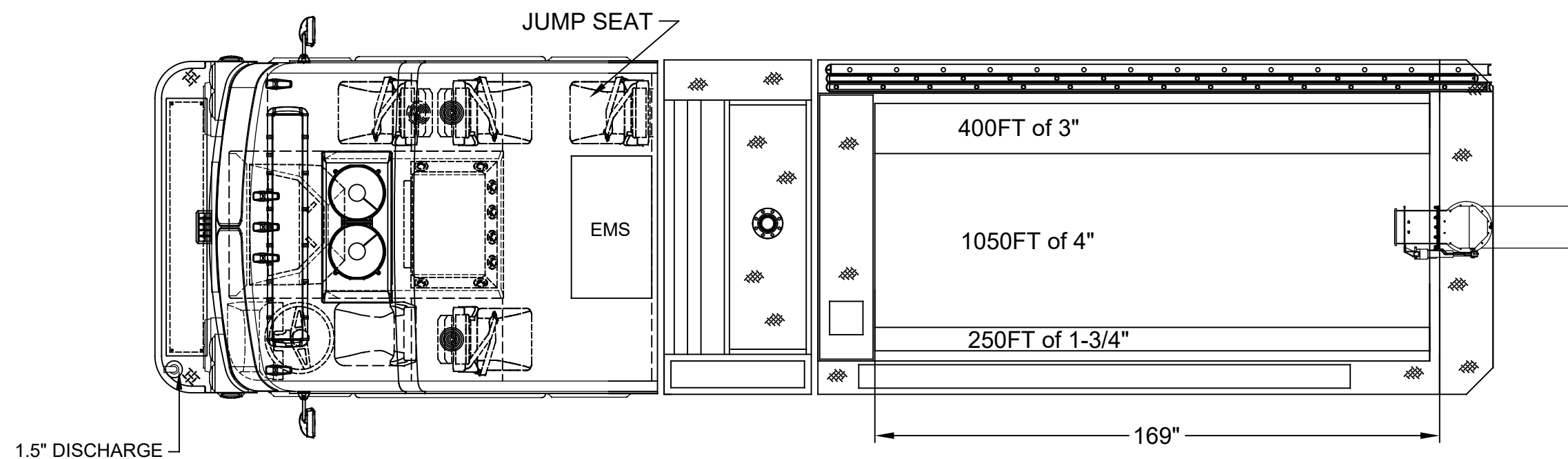



Left Side Compartmentation				
Compt	Doors	Opening Dimensions	Inside Dimensions	Volume
L1	ROLLUP	25x50	31x60x24.25/10.25	21.3 CU FT
L2	ROLLUP	49X10	57x20x10.25	7.5 CU FT
L3	ROLLUP	49X10	57x20x10.25	7.5 CU FT
L4	ROLLUP	35X50	41x60x24.25/10.25	28 CU FT
Right Side Compartmentation				
Compt	Doors	Opening Dimensions	Inside Dimensions	Volume
R1	ROLLUP	25x50	31x60x24.25/10.25	21.3 CU FT
R2	ROLLUP	49X12	57x20x10.25	7.5 CU FT
R3	ROLLUP	49X12	57x20x10.25	7.5 CU FT
R4	ROLLUP	35X50	41x60x24.25/10.25	28 CU FT
Total Volume				128.6 CU FT

Hale Qmax 1500 single stage
Water Tank Capacity 2500 gal



DIMENSIONS SHOWN ON THIS DRAWING ARE APPROXIMATE AND ARE SUBJECT TO MINOR DEVIATIONS DURING CONSTRUCTION. IN THE EVENT OF A DISCREPANCY BETWEEN THE SUTPHEN SPECIFICATIONS AND DRAWING, THE SUTPHEN SPECIFICATIONS SHALL PREVAIL. DRAWING IS FOR REFERENCE ONLY. SOME ITEMS PROPOSED MAY NOT BE SHOWN OR NOTED.	CUSTOMER APPROVAL							 Bethel Tate Fire Department Bethel, OH 2500 GALLON ALUMINUM WETSIDE TANKER SWT-4 DWG. NO.: HS-6741
	NAME:		C	GRAPHICS CHANGES	SED	1/8/21	DRAWN BY: S. DORFMAN	
	TITLE:		B	DELETE HARD SUCTION HOSE.	SED	1/8/21	DATE: 2/29/2020	
	DATE:		A	CHANGES FROM PRE-CON	SED	3/14/20	MFG. FACILITY: EAST	
			REV.	DESCRIPTION	BY	DATE		
THIS PRINT IS PROVIDED ON A RESTRICTED BASIS AND IS NOT TO BE USED IN ANY WAY DETRIMENTAL TO THE INTEREST OF SUTPHEN CORPORATION.								