

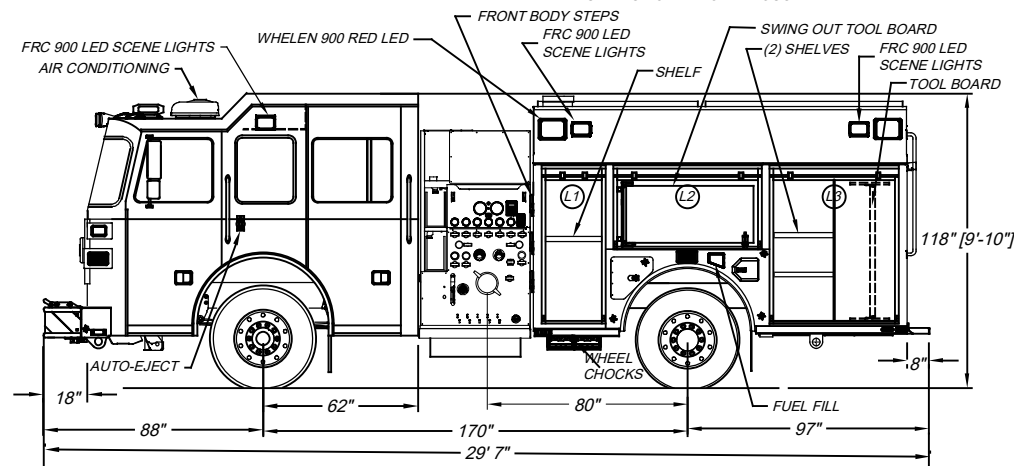
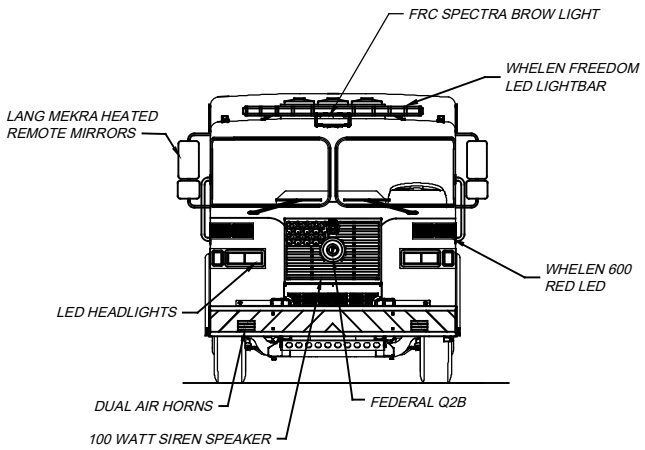
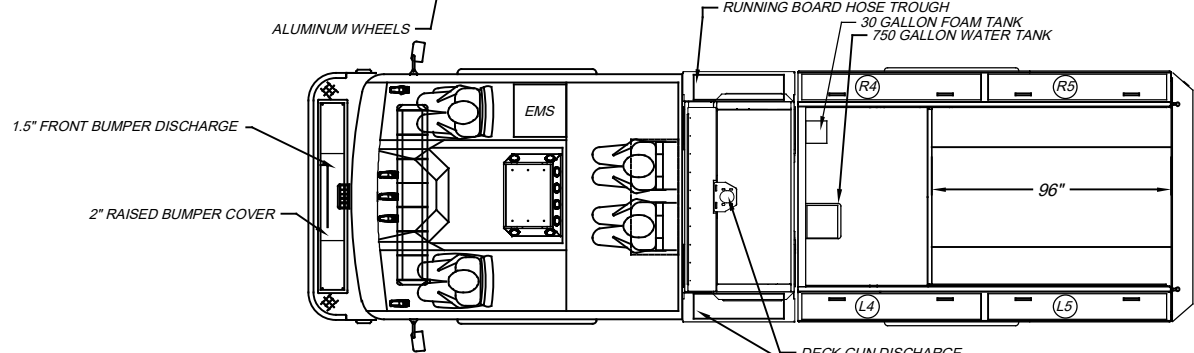
LEFT SIDE COMPARTMENTATION				
COMPT	DOORS	INSIDE DIMENSIONS	DOOR OPENING DIMENSIONS	VOLUME
L1	ROLL-UP	25"W X 66"H X 26"D	22 1/2"W X 56 1/2"H	24.8 CU. FT.
L2	ROLL-UP	59"W X 31 1/2"H X 26"D	56 1/4"W X 27"H	28.4 CU. FT.
L3	ROLL-UP	51 1/2"W X 66"H X 26"D	48 3/4"W X 56 1/2"H	47.4 CU. FT.
L4L5	LIFT-UP	74"W X 13.5"H X 19"D	67"W X 9.5"H	22 CU. FT.

RIGHT SIDE COMPARTMENTATION				
COMPT	DOORS	INSIDE DIMENSIONS	DOOR OPENING DIMENSIONS	VOLUME
R1	ROLL-UP	25"W X 66"H X 26"D	22 1/2"W X 56 1/2"H	18.9 CU. FT.
R2	ROLL-UP	59"W X 31 1/2"H X 11"D	58 1/4"W X 27"H	13.7 CU. FT.
R3	ROLL-UP	51 1/2"W X 66"H X 26"D	48 3/4"W X 56 1/2"H	36 CU. FT.
L4L5	LIFT-UP	74"W X 13.5"H X 19"D	67"W X 9.5"H	22 CU. FT.

REAR STEP COMPARTMENT				
COMPT	DOORS	INSIDE DIMENSIONS	DOOR OPENING DIMENSIONS	VOLUME
A1	ROLL-UP	39 1/2"W X 44"H X 31"D	36 3/4"W X 34 1/4"H	31.2 CU. FT.

BASE STORAGE: 200 CU. FT.
TOTAL STORAGE: 244 CU. FT.

11" DEEP, UPPER
11" DEEP, UPPER



DIMENSIONS SHOWN ON THIS DRAWING ARE APPROXIMATE AND ARE SUBJECT TO MINOR DEVIATIONS DURING CONSTRUCTION.

IN THE EVENT OF A DISCREPANCY BETWEEN THE SUTPHEN SPECIFICATIONS AND DRAWING, THE SUTPHEN SPECIFICATIONS SHALL PREVAIL.

DRAWING IS FOR REFERENCE ONLY. SOME ITEMS PROPOSED MAY NOT BE SHOWN OR NOTED.

CUSTOMER APPROVAL

NAME: _____

TITLE: _____

DATE: _____

E	UPDATED TO SHOP ORDER REV H	JNH	3/3/2022
D	UPDATED TO SHOP ORDER REV D	R.C.	10/18/21
C	UPDATED TO SHOP ORDER REV C	R.C.	9/9/21
A	CHANGED BODY SIDE SCENE LIGHTS	R.C.	5/21/21
REV.	DESCRIPTION	BY	DATE

DRAWN BY:
R. CAMPBELL

DATE:
5/20/21

MFG. FACILITY:
URBANA

SUTPHEN

DEMO 512

PROGRAM 1 CUSTOM PUMPER

HS-7123