

COMPT	DOORS	OPENING DIMENSIONS	INSIDE DIMENSIONS	VOLUME
L1	SINGLE	25 1/2"W X 52 3/4"H	31"W X 60"H X 27 1/4"D	32 CU. FT.
L2	SINGLE	52 1/2"W X 52 3/4"H	61 1/2"W X 38 3/4"D X 27 1/4"D	35 CU. FT.
L3	DOUBLE	48 1/2"W X 52 3/4"H	53 1/2"W X 60"H X 27 1/4"D	55 CU. FT.

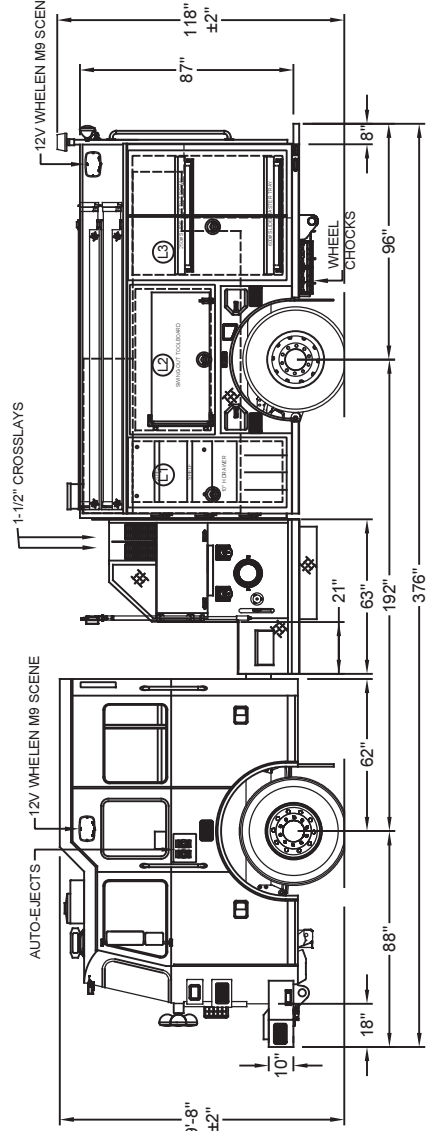
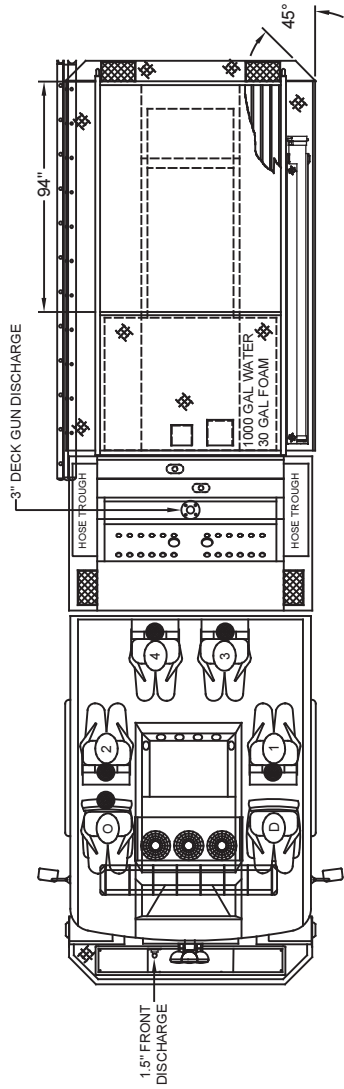
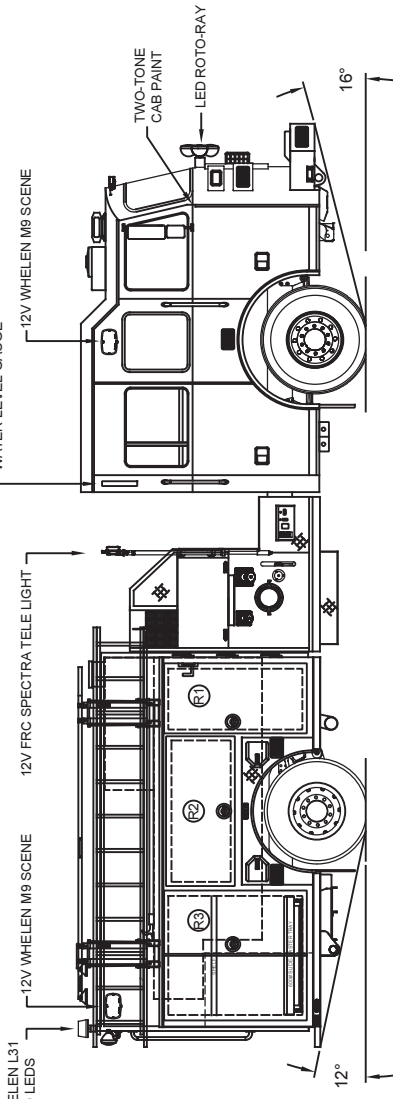
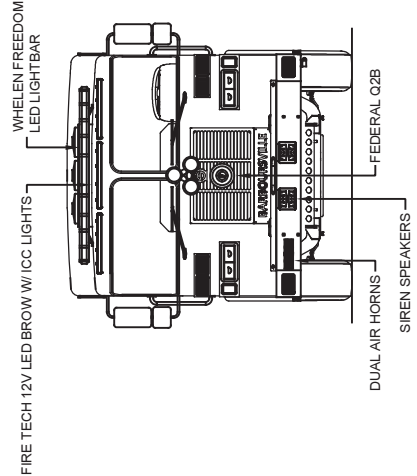
  

COMPT	DOORS	OPENING DIMENSIONS	INSIDE DIMENSIONS	VOLUME
R1	SINGLE	25 1/2"W X 52 3/4"H	31"W X 60"H X 27 1/4"D	32 CU. FT.
R2	SINGLE	52 1/2"W X 52 3/4"H	61 1/2"W X 38 3/4"D X 27 1/4"D	35 CU. FT.
R3	DOUBLE	48 1/2"W X 52 3/4"H	53 1/2"W X 60"H X 27 1/4"D	50 CU. FT.

COMPT	DOORS	OPENING DIMENSIONS	INSIDE DIMENSIONS	VOLUME
A1	ROLLUP	37 1/2"W X 31"H	40"H X 46"W X 30"D	27 CU. FT.

**TOTAL: 257 CU.FT.**



DIMENSIONS SHOWN ON THIS DRAWING ARE APPROXIMATE AND ARE SUBJECT TO MINOR DEVIATIONS DURING CONSTRUCTION. IN THE EVENT OF A DISCREPANCY BETWEEN THE DRAWING AND THE ACTUAL EQUIPMENT, THE SUTPHEN SPECIFICATIONS SHALL PREVAIL. DRAWING IS FOR REFERENCE ONLY. SOME ITEMS PROPOSED MAY NOT BE SHOWN OR NOTED.

CUSTOMER APPROVAL  
 NAME: \_\_\_\_\_  
 TITLE: \_\_\_\_\_  
 DATE: \_\_\_\_\_

REV.	DESCRIPTION	BY	DATE
C	PUMP PANEL COLOR CODING	JM	12/17/18
B	REV A SHOP ORDER	JM	10/16/18
A	REV A SHOP ORDER	JM	05/16/18
REV.			

**SUTPHEN**  
 BARBOURSVILLE FIRE DEPARTMENT  
 BARBOURSVILLE  
 CUSTOM PUMPER - S4 BODY  
 DUBLIN  
 DATE: 03/29/18  
 DRAWN BY: J. MORGAN  
 DATE: 03/29/18  
 MFG. FACILITY: DUBLIN  
 DWG. NO.: HS-6242

THIS PRINT IS PROVIDED ON A RESTRICTED BASIS AND IS NOT TO BE USED IN ANY WAY DETRIMENTAL TO THE INTEREST OF SUTPHEN CORPORATION.