

LEFT SIDE COMPARTMENTATION				
COMPT	DOORS	INSIDE DIMENSIONS	DOOR OPENING DIMENSIONS	VOLUME
L1	ROLL-UP	40"W X 66"H X 26"D	37 1/2"W X 56 1/2"H	28.5 CU. FT.
L2	ROLL-UP	59"W X 31 1/2"H X 11"D	56 1/4"W X 27"H	13.7 CU. FT.
L3	ROLL-UP	40"W X 66"H X 26"D	37 1/2"W X 56 1/2"H	28.5 CU. FT.

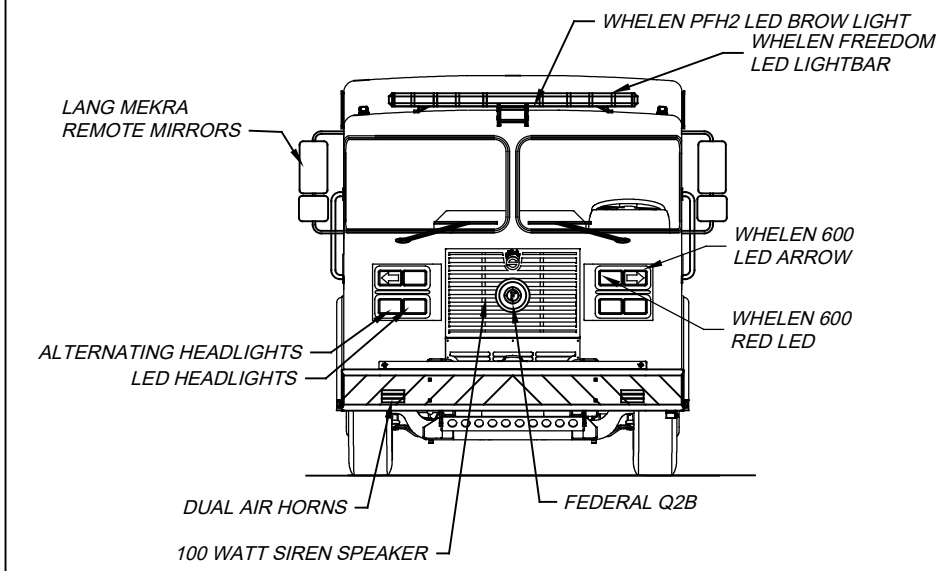
  

RIGHT SIDE COMPARTMENTATION				
COMPT	DOORS	INSIDE DIMENSIONS	DOOR OPENING DIMENSIONS	VOLUME
R1	ROLL-UP	40"W X 40"H X 26"D	37 1/2"W X 36 1/2"H	24 CU. FT.
R2	ROLL-UP	40"W X 40"H X 26"D	37 1/2"W X 30 1/2"H	24 CU. FT.
	ROLL-UP			

REAR STEP COMPARTMENT				
COMPT	DOORS	INSIDE DIMENSIONS	DOOR OPENING DIMENSIONS	VOLUME
A1	ROLL-UP	39 1/2"W X 44"H X 31"D	36 3/4"W X 34 1/4"H	31.2 CU. FT.

BASE STORAGE: 150 CU. FT.



DIMENSIONS SHOWN ON THIS DRAWING ARE APPROXIMATE AND ARE SUBJECT TO MINOR DEVIATIONS DURING CONSTRUCTION.

IN THE EVENT OF A DISCREPANCY BETWEEN THE SUTPHEN SPECIFICATIONS AND DRAWING, THE SUTPHEN SPECIFICATIONS SHALL PREVAIL.

DRAWING IS FOR REFERENCE ONLY. SOME ITEMS PROPOSED MAY NOT BE SHOWN OR NOTED.

**CUSTOMER APPROVAL**

NAME: \_\_\_\_\_

TITLE: \_\_\_\_\_

DATE: \_\_\_\_\_

REV.	DESCRIPTION	BY	DATE
REV. A	BODY STYLE CHANGED FROM G2 TO G5 WITH LOWERED HOSEBED	A.A.	5/22/2020
REV. B	UPDATED FEATURES TO SHOW MORE ACCURACY IN LOCATION	A.A.	11/17/2020
-	-	-	-

DRAWN BY: J. HAULMAN

DATE: 4/8/2020

MFG. FACILITY: SPRINGFIELD

**SUTPHEN**

ALABAMA FIRE COLLEGE  
TUSCALOOSA, AL

PROGRAM 1 CUSTOM PUMPER

DWG. NO.: HS-6710